

2007 Chevrolet EQUINOX

Submodel: LT | Engine Type: V6 | Liters: 3.4

Fuel Delivery: FI | Fuel: GAS

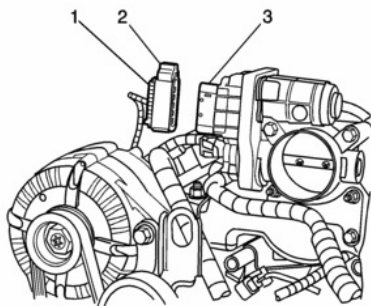
Throttle Body Assembly Replacement

Removal Procedure

Important

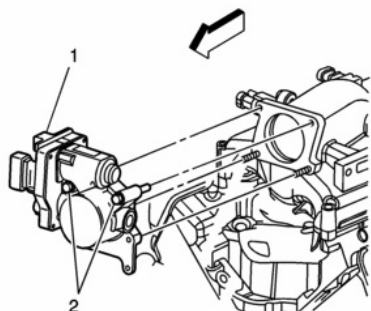
The throttle actuator control (TAC) module is not replaceable separate of the throttle body assembly. If the TAC module requires replacement the entire throttle body assembly must be replaced.

1. Remove the air cleaner intake duct. Refer to Air Cleaner Inlet Duct Replacement .
2. Remove the heater outlet pipe. Refer to Heater Pipe Replacement - Outlet .
3. Cover the throttle body opening with a shop towel and use the shop air to remove any dirt at the base of the throttle body.



[Click to Enlarge](#)

4. Disconnect the TAC module electrical connector (1) by pulling up on the connector lock (2) to release the connector from the TAC module (3).



[Click to Enlarge](#)

5. Remove the throttle body bolts (2).
6. Remove the throttle body (1) from the intake manifold.
7. Block the intake manifold opening with a clean shop towel to prevent dirt from entering.
8. Remove the throttle body studs ONLY if replacement of stud is necessary.

Installation Procedure

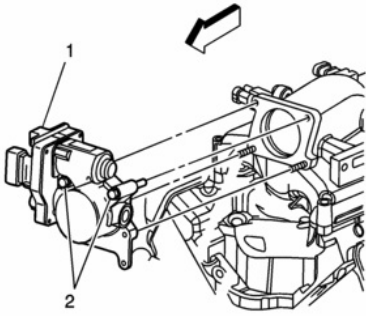
Caution!

Refer to Fastener Notice in Cautions and Notices.

1. Install the throttle body studs if previously removed.

Tighten

Tighten the throttle body stud to 6 N·m (53 lb in).

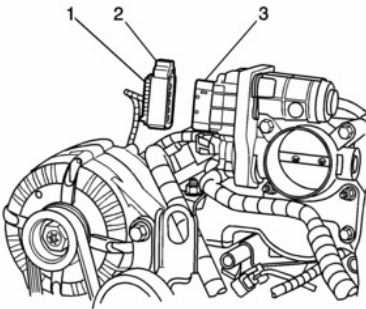


[Click to Enlarge](#)

2. Install the throttle body (1) to the intake manifold.
3. Install the throttle body bolts.

Tighten

Tighten the throttle body-to-intake manifold bolts to 10 N·m (89 lb in).



[Click to Enlarge](#)

4. Connect the TAC module electrical connector (1) to the TAC module (3) then press down the connector lock (2) in order to secure the TAC module electrical connector.
5. Install the heater outlet pipe. Refer to Heater Pipe Replacement - Outlet .
6. Install the air cleaner intake duct. Refer to Air Cleaner Inlet Duct Replacement .