

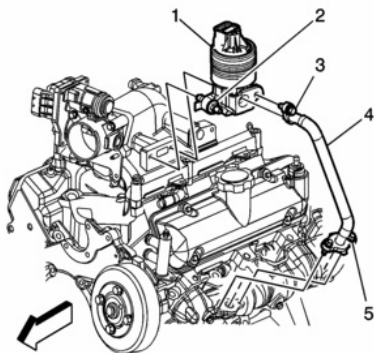
2007 Chevrolet EQUINOX

Submodel: LT | Engine Type: V6 | Liters: 3.4

Fuel Delivery: FI | Fuel: GAS

Exhaust Gas Recirculation Valve Replacement

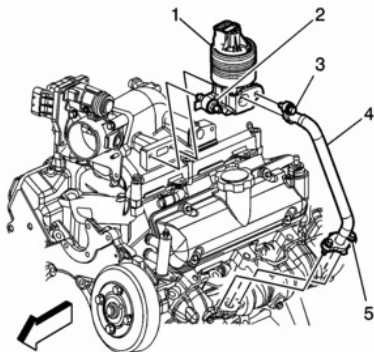
Removal Procedure



[Click to Enlarge](#)

1. Remove the exhaust gas recirculation (EGR) pipe (4). Refer to Exhaust Gas Recirculation Pipe Replacement .
2. Disconnect the EGR valve electrical connector.
3. Remove the EGR valve bolts (2).
4. Remove the EGR valve (1).
5. Remove the EGR valve gasket.
6. Clean the EGR valve mating surface.

Installation Procedure



[Click to Enlarge](#)

1. Install the EGR valve (1) with a new gasket to the intake manifold.

Caution!

Use the correct fastener in the correct location. Replacement fasteners must be the correct part number for that application. Fasteners requiring replacement or fasteners requiring the use of thread locking compound or sealant are identified in the service procedure. Do not use paints, lubricants, or corrosion inhibitors on fasteners or fastener joint surfaces unless specified. These coatings affect fastener torque and joint clamping force and may damage the fastener. Use the correct tightening sequence and specifications when installing fasteners in order to avoid damage to parts and systems.

2. Install the EGR valve bolts (2).

Tighten

Tighten the bolts to 30 N·m (22 lb ft).

3. Connect the EGR valve electrical connector.
4. Install the EGR pipe (4). Refer to Exhaust Gas Recirculation Pipe Replacement .