

2006 Chevrolet Equinox

Submodel: | Engine Type: | Liters:

Fuel Delivery: | Fuel:

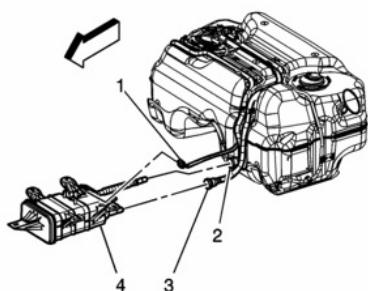
Evaporative Emission Canister Replacement

Removal Procedure

Important

The EVAP emissions canister is located under the center of the vehicle. It has 3 EVAP line connections:

- The EVAP fresh air
- The EVAP vent
- The EVAP purge



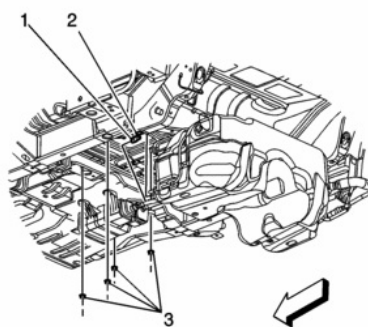
[Click to Enlarge](#)

1. Raise and support the vehicle. Refer to Lifting and Jacking the Vehicle .

Caution!

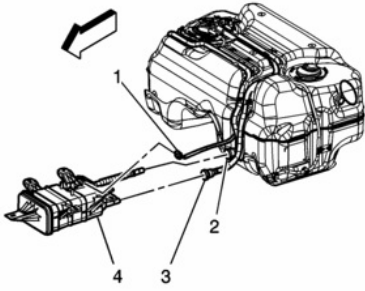
Clean all fuel pipe connections and surrounding areas before disconnecting the fuel pipes to avoid contamination of the fuel system.

2. Disconnect the EVAP canister fresh air hose/pipe from the fuel tank fresh air hose/pipe (2).
3. Disconnect the fuel tank vent pipe (3) from the EVAP canister.



[Click to Enlarge](#)

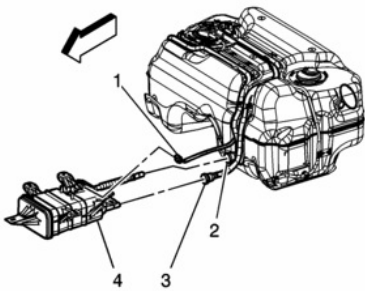
4. Disconnect the chassis EVAP pipe (1) from the EVAP canister.
5. Remove the EVAP canister-to-underbody nuts (3).
6. Lower the EVAP canister (4).



[Click to Enlarge](#)

7. Disconnect the EVAP vent solenoid electrical connector (1).
8. Remove the EVAP canister (4) from the vehicle.

Installation Procedure

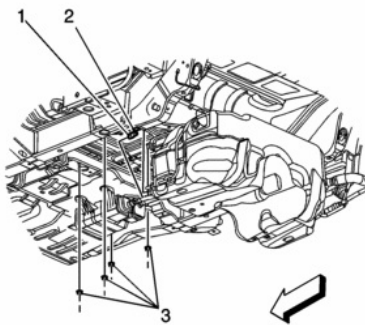


[Click to Enlarge](#)

1. Connect the EVAP vent solenoid electrical connector (1).
2. Install the EVAP canister (4) to the underbody of the vehicle.

Caution!

Refer to Fastener Notice in Cautions and Notices.



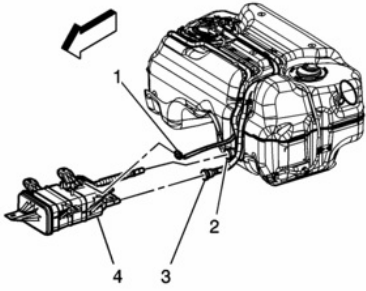
[Click to Enlarge](#)

3. Install the EVAP canister-to-underbody nuts (3).

Tighten

Tighten the nuts to 9 N·m (80 lb in).

4. Connect the chassis EVAP pipe (1) to the EVAP canister.



[Click to Enlarge](#)

5. Connect the fuel tank vent pipe (3) to the EVAP canister.
6. Connect the EVAP canister fresh air hose/pipe to the fuel tank fresh air hose/pipe (2).
7. Lower the vehicle.