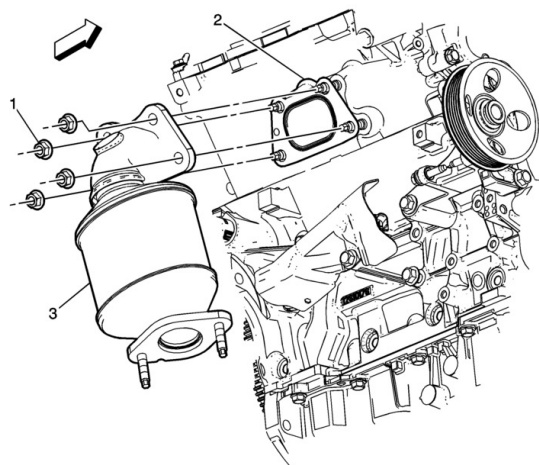


2010 Chevrolet Equinox

Submodel: | **Engine Type:** | **Liters:**
Fuel Delivery: | **Fuel:**



Catalytic Converter Replacement - Right Side

Callout

Component Name

Warning: Refer to Hot Exhaust System Warning.

Preliminary Procedure

1. Disconnect the oxygen sensor electrical connectors.
2. Remove the catalytic converter heat shield. Refer to Catalytic Converter Heat Shield Replacement
3. Remove the exhaust flexible pipe. Refer to Exhaust Flexible Pipe Replacement.

Catalytic Converter Nut (Qty: 4)

Caution: Refer to Fastener Caution.

Caution: To prevent damage to the exhaust manifold flange or stud, make sure the flange is fully seated before tightening.

Procedure

- 1
 1. Replace nuts and gasket with new ones.
 2. Clean and inspect the studs on the engine cylinder head, replace as necessary.
 3. Verify that the studs are fully seated. Stud collar should touch the surface of the engine cylinder head.
 4. Tighten nuts in a criss-cross pattern.

Tighten

- First Pass: 20 Y (15 lb ft)
- Final Pass: 46 Y (34 lb ft)

Gasket

- 2

Tip: Improperly installed and/or leaking exhaust manifold gaskets may affect vehicle emissions and/or On-Board Diagnostics (OBD) II system performance.

Catalytic Converter

- 3

Tip: If replacing catalytic converter, transfer both oxygen sensors.

[Top of Page](#)

[EBSCO Support Site](#) | [Privacy Policy](#) | [Terms of Use](#) | [Copyright](#)

© 2013 EBSCO Industries, Inc. All rights reserved

[EBSCO Publishing Green Initiatives](#)