

2007 Chevrolet EQUINOX

Submodel: LT | Engine Type: V6 | Liters: 3.4

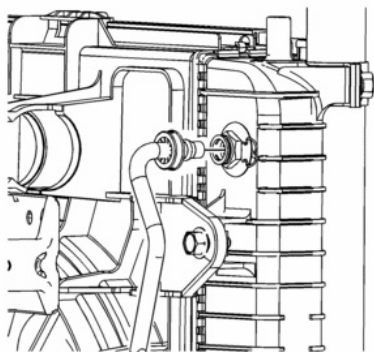
Fuel Delivery: FI | Fuel: GAS

Oil Cooler Line Replacement

Removal Procedure

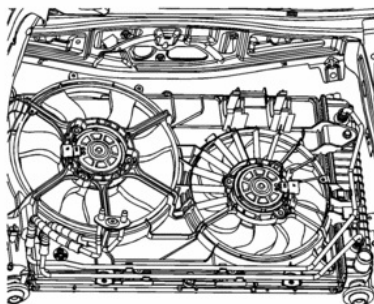
Warning! Ensure that the vehicle is properly supported and squarely positioned. To help avoid personal injury when a vehicle is on a hoist, provide additional support for the vehicle on the opposite end from which the components are being removed.

1. Position the vehicle on a hoist and raise the hood.
2. Place a drain pan or suitable container under the vehicle.



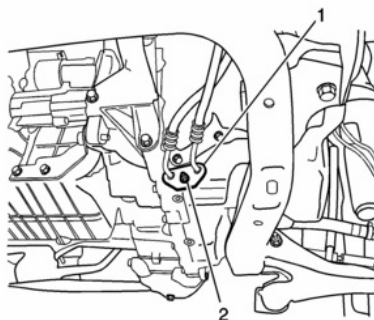
[Click to Enlarge](#)

3. Disconnect the upper transaxle oil cooler line from the radiator.
4. Raise the vehicle. Refer to Lifting and Jacking the Vehicle .
5. Disconnect the lower transaxle oil cooler line.



[Click to Enlarge](#)

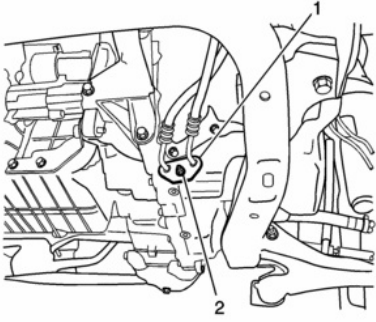
6. Disengage the transaxle cooler lines from the fan shroud.



[Click to Enlarge](#)

7. Remove the transaxle cooler line assembly nut (2) from the transaxle.
8. Remove the transaxle cooler lines (1) from the vehicle.
9. Replace the transaxle oil cooler pipe seals. Refer to the Oil Cooler Pipe Seals Replacement .

Installation Procedure



[Click to Enlarge](#)

1. Install the transaxle oil cooler lines into the vehicle.
2. Install the transaxle oil cooler line assembly (1) to the transaxle.

Caution!

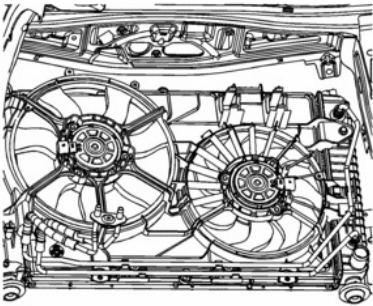
Refer to Fastener Notice in Cautions and Notices.

3. Install the transaxle oil cooler line assembly nut (2).

Tighten

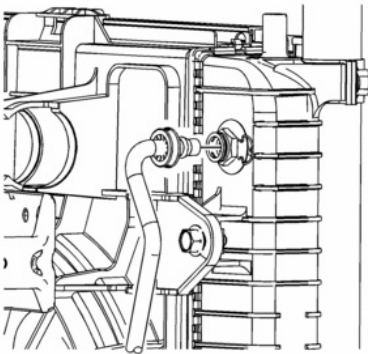
Tighten the transaxle oil cooler lines to 9 N·m (80 lb in).

4. Connect the lower transaxle oil cooler line to the radiator.



[Click to Enlarge](#)

5. Engage the transaxle oil cooler lines with the fan shroud by snapping in place.
6. Lower the vehicle.



[Click to Enlarge](#)

7. Connect the upper transaxle oil cooler line to the radiator.

Important

DEXRON® VI automatic transmission fluid is not compatible with this transaxle. If DEXRON® VI ATF is used, transaxle failure will result. This transaxle uses GM T-IV fluid P/N 88900925.

8. Add fluid to the transaxle. Refer to the Transmission Fluid Checking .
9. Start the engine a check for leaks.