

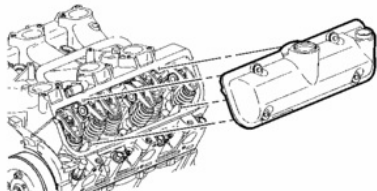
2007 Chevrolet EQUINOX

Submodel: LT | Engine Type: V6 | Liters: 3.4

Fuel Delivery: FI | Fuel: GAS

Positive Crankcase Ventilation Valve Replacement

Removal Procedure

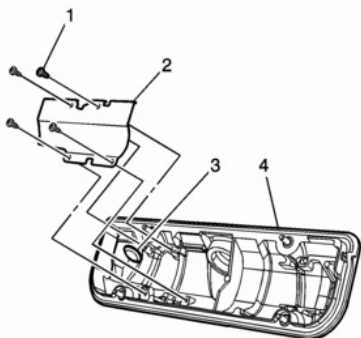


[Click to Enlarge](#)

Important

The PCV valve is not removable from the valve rocker arm cover. The PCV valve and rocker arm cover must be replaced as an assembly.

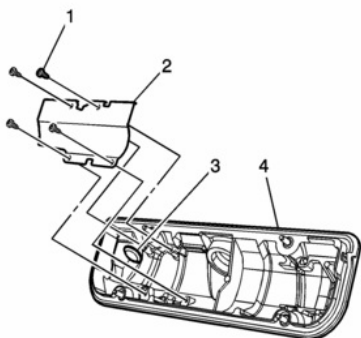
1. Remove the left valve rocker arm cover. Refer to Valve Rocker Arm Cover Removal - Left Side .



[Click to Enlarge](#)

2. Remove the screws (1) from the PCV baffle.
3. Remove the PCV baffle (2).
4. Clean the PCV valve (3) or replace the valve cover (4).

Installation Procedure



[Click to Enlarge](#)

1. Install the PCV baffle (2).

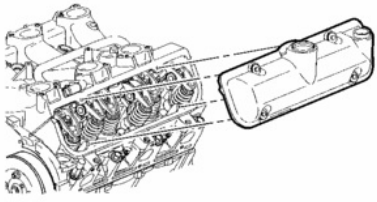
Caution!

Refer to Fastener Notice in Cautions and Notices.

2. Install the PCV baffle screws (1).

Tighten

Tighten the screws to 6 N·m (53 lb in).



[Click to Enlarge](#)

3. Install the left valve rocker arm cover. Refer to Valve Rocker Arm Cover Removal - Left Side .