

## 2007 Chevrolet EQUINOX

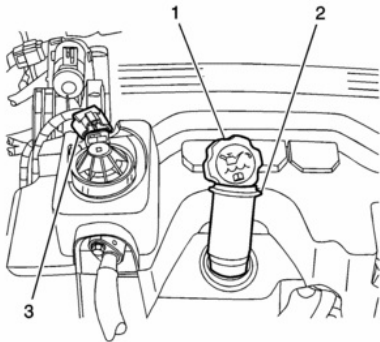
Submodel: LT | Engine Type: V6 | Liters: 3.4

Fuel Delivery: FI | Fuel: GAS

---

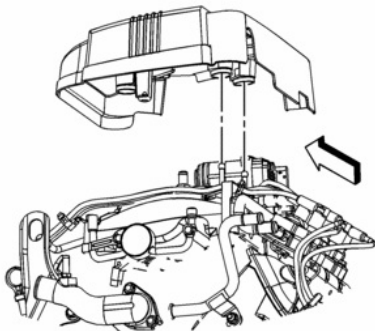
### Fuel Injector Sight Shield Replacement

#### Removal Procedure



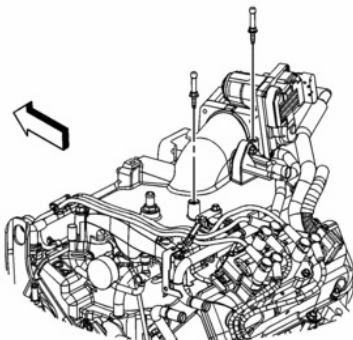
[Click to Enlarge](#)

1. Remove the oil cap (1) and the oil filler tube (2).
2. Disconnect the exhaust gas recirculation (EGR) electrical connector (3).



[Click to Enlarge](#)

3. Remove the injector sight shield from the studs.



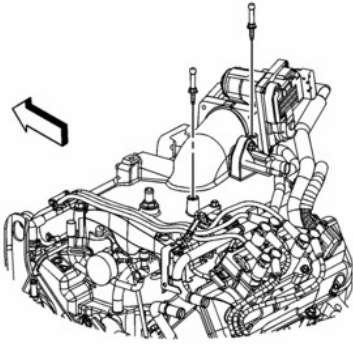
[Click to Enlarge](#)

4. If replacing the sight shield studs, remove the studs from the intake manifold.

#### Installation Procedure

**Caution!**

Refer to Fastener Notice in Cautions and Notices.

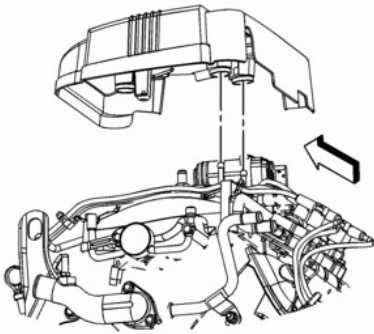


[Click to Enlarge](#)

1. If the injector sight shield studs were removed, install the studs to the intake manifold.

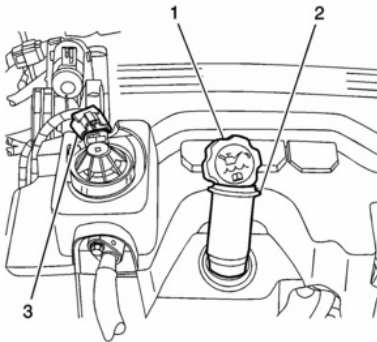
**Tighten**

Tighten the studs to 10 N·m (89 lb in).



[Click to Enlarge](#)

2. Install the injector sight shield to the studs.



[Click to Enlarge](#)

3. Connect the EGR electrical connector (3).
4. Install the oil filler tube (2) and the oil cap (1).