

## #PIT3803: Water Leak from the Right Side of the Instrument Panel During Heavy Rain or When Going Through a Car Wash - keywords carpet case drain floor HVAC leak plenum wet - (Dec 15, 2005)

**Subject:** Water Leak From The Right Side Of The Instrument Panel During Heavy Rain Or When Going Through A Car Wash



**Models:** 2006 Chevrolet Equinox  
Between VIN break points 66027135 to 66035604  
2006 Pontiac Torrent  
Between VIN break points 66030403 to 66040620

---

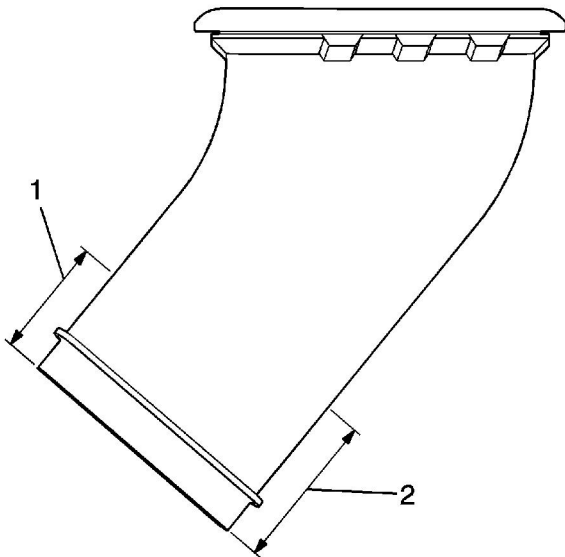
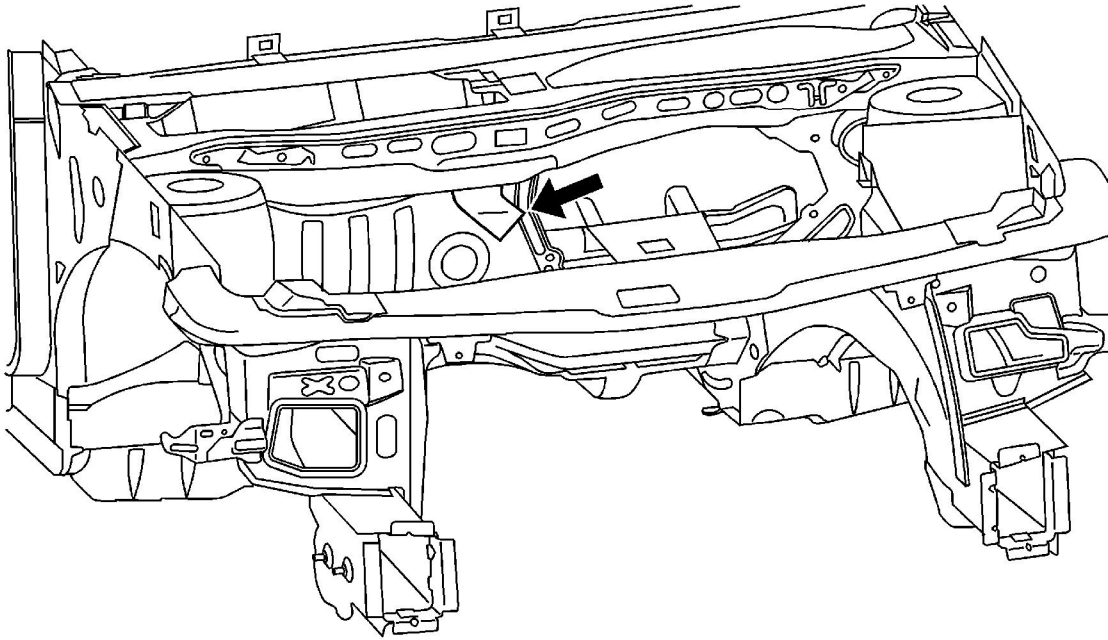
The following diagnosis might be helpful if the vehicle exhibits the symptom(s) described in this PI.

### **Condition/Concern:**

Some customers may comment of a water leak from the right side of the instrument panel when going through a car wash or during a heavy rain. The plenum drain plug was manufactured from an incorrect material that does not expand enough to allow water in the cowl to drain quickly enough.

### **Recommendation/Instructions:**

Technicians are to cut two slits in the sides of the plenum drain plug. Refer to the attached illustration for the location of the plenum drain plug and for the dimensions of the cuts.



Please follow this diagnostic or repair process thoroughly and complete each step. If the condition exhibited is resolved without completing every step, the remaining steps do not need to be performed.

GM bulletins are intended for use by professional technicians, NOT a "do-it-yourselfer". They are written to inform these technicians of conditions that may occur on some vehicles, or to provide information that could assist in the proper service of a vehicle. Properly trained technicians have the equipment, tools, safety instructions, and know-how to do a job properly and safely. If a condition is described, DO NOT assume that the bulletin applies to your vehicle, or that your vehicle will have that condition. See your GM dealer for information on whether your vehicle may benefit from the information.



WE SUPPORT  
VOLUNTARY  
TECHNICIAN  
CERTIFICATION