

2005 Chevrolet EQUINOX

Submodel: LT | Engine Type: V6 | Liters: 3.4
Fuel Delivery: FI | Fuel: GAS

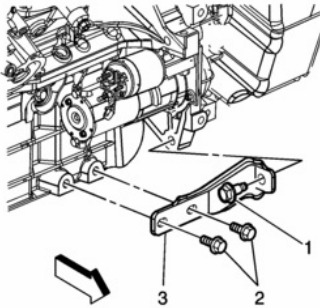
Oil Pan Replacement

Tools Required

J 39505 Torque Wrench Adapter

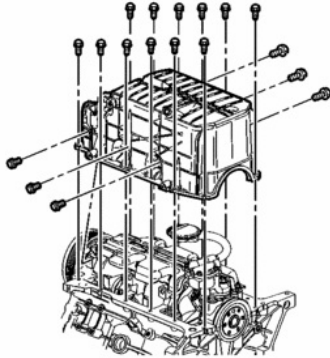
Removal Procedure

1. Disconnect the battery negative cable. Refer to Battery Negative Cable Disconnect/Connect Procedure in Engine Electrical.
2. Install the engine support fixture. Refer to Engine Support Fixture .
3. Raise and support the vehicle. Refer to Lifting and Jacking the Vehicle in General Information.
4. Remove the air conditioning compressor mounting bracket. Refer to Compressor Mounting Bracket Replacement in Heating, Ventilation and Air Conditioning.



[Click to Enlarge](#)

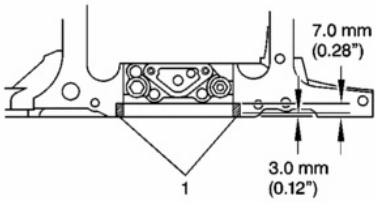
5. Remove the engine-to-transaxle brace bolts (1, 2).
6. Remove the engine-to-transaxle brace (3).
7. Remove the starter. Refer to Starter Motor Replacement in Engine Electrical.
8. If equipped with all wheel drive (AWD), remove the transfer case . Refer to Transfer Case Replacement in Transfer Case - NVG 900.
9. If equipped with front wheel drive (FWD), remove the intermediate shaft. Refer to Intermediate Shaft Replacement in Wheel Drive Shafts.
10. Drain the engine oil and remove the oil filter. Refer to Engine Oil and Oil Filter Replacement .



[Click to Enlarge](#)

11. Remove the oil pan side bolts.
12. Remove the oil pan sealing surface bolts.
13. Remove the oil pan.
14. Clean the oil pan and the engine block gasket surface.

Installation Procedure

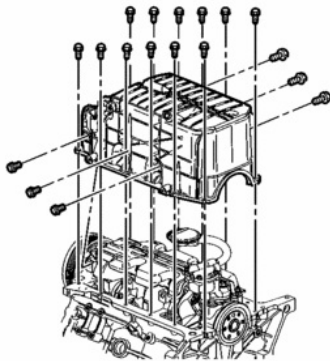


[Click to Enlarge](#)

Important

Provided the rear main bearing cap and engine front cover have not been removed and provided the sealant on either side of the rear main bearing cap and engine front cover has not been disturbed, it may not be necessary to apply additional sealant in these locations.

1. Apply sealer GM P/N 12378521 (Canadian P/N 88901148) or the equivalent, to both sides of the crankshaft rear main bearing cap (1) and where the engine front cover meets the engine block. Press the sealer into the gap using a putty knife.



[Click to Enlarge](#)

2. Install the oil pan gasket.
3. Install the oil pan.

Caution!

Refer to Fastener Notice in Cautions and Notices.

4. Install the oil pan flange bolts.

Tighten

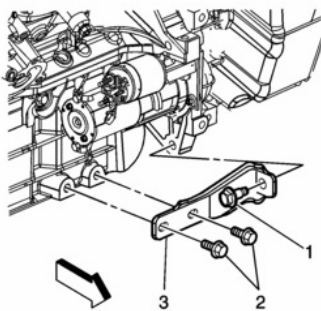
Tighten the bolts to 25 N-m (18 lb ft).

5. Install the oil pan side bolts.

Torque

Using J 39505 torque the bolts to 50 N-m (37 lb ft).

6. Install a NEW oil filter. Refer to Engine Oil and Oil Filter Replacement .
7. If equipped with FWD, install the intermediate shaft. Refer to Intermediate Shaft Replacement in Wheel Drive Shafts.
8. If equipped with AWD, install the transfer case . Refer to Transfer Case Replacement in Transfer Case - NVG 900.
9. Install the starter. Refer to Starter Motor Replacement in Engine Electrical.



[Click to Enlarge](#)

10. Install the engine-to-transaxle brace (3).
11. Install the engine-to-transaxle brace bolts (1, 2).

Tighten

Tighten the bolts to 50 N-m (37 lb ft).

12. Install the air conditioning compressor mounting bracket. Refer to Compressor Mounting Bracket Replacement in Heating, Ventilation and Air Conditioning.
13. Lower the vehicle.

14. Remove the engine support fixture.
15. Connect the negative battery cable. Refer to Battery Negative Cable Disconnect/Connect Procedure in Engine Electrical.
16. Fill the engine with new engine oil. Refer to Capacities - Approximate Fluid , Fluid and Lubricant Recommendations , and Maintenance Schedule in Maintenance and Lubrication.