

2007 Chevrolet EQUINOX

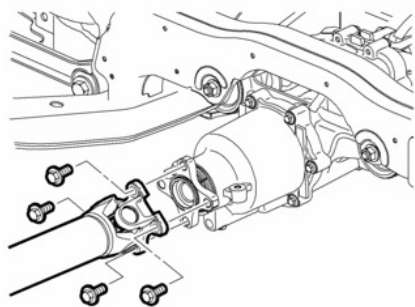
Submodel: LT | Engine Type: V6 | Liters: 3.4

Fuel Delivery: FI | Fuel: GAS

Propeller Shaft Replacement

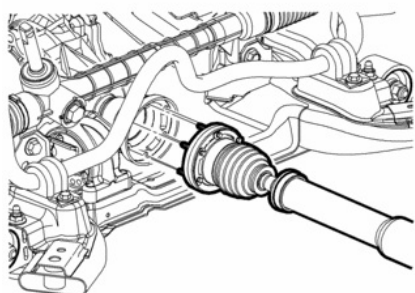
Removal Procedure

1. Place the transmission in neutral (N).
2. Raise and support the vehicle. Refer to Lifting and Jacking the Vehicle .
3. Mark the relationship of the propeller shaft to the rear differential drive flange and the transfer case.
4. Support the propeller shaft at the rear differential.



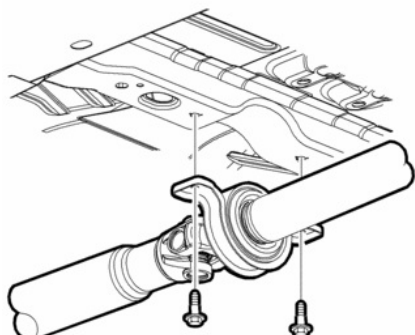
[Click to Enlarge](#)

5. Remove the mounting bolts for the propeller shaft at the rear differential drive flange.
6. Support propeller shaft at the transfer case.



[Click to Enlarge](#)

7. Remove the mounting bolts for the propeller shaft at the transfer case.
8. Support the propeller shaft at the center support bearing.



[Click to Enlarge](#)

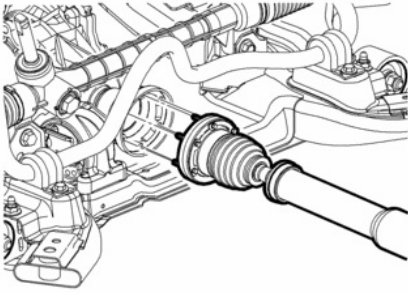
9. Remove the mounting bolts for the center support bearing.
10. With the aide of an assistant, remove the propeller shaft from the vehicle.

Installation Procedure

1. Thoroughly clean the mounting bolts for center bearing and the front and rear propeller shaft flanges. Apply threadlocker, GM P/N 89021297 (Canadian P/N 10953488), to the

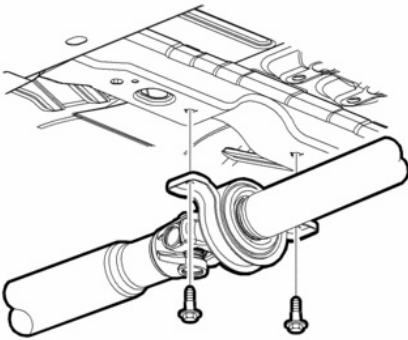
bolt threads.

2. With the aid of an assistant, position the propeller shaft on the supports.
3. Align the reference marks on the front and rear of the propeller shaft to the transfer case and rear differential.



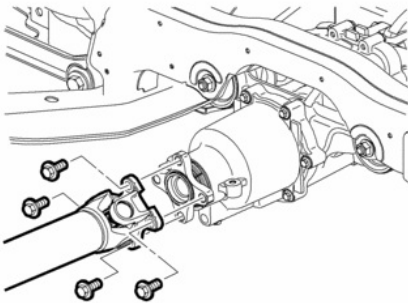
[Click to Enlarge](#)

4. Position the propeller shaft on the transfer case output flange.
5. Finger tighten the mounting bolts for the propeller shaft at the transfer case output flange.



[Click to Enlarge](#)

6. Position the center support bearing of the propeller shaft on the vehicle.
7. Finger tighten the mounting bolts for the center support bearing.



[Click to Enlarge](#)

8. Position the propeller shaft on the rear differential drive flange.
9. Finger tighten the rear mounting bolts for the propeller shaft.

Caution!

Refer to Fastener Notice in the Preface section.

10. Tighten the front mounting bolts for the propeller shaft.

Tighten

Tighten the mounting bolts to 35 N·m (25 lb ft).

11. Tighten the mounting bolts for the center support bearing.

Tighten

Tighten the mounting bolts to 25 N·m (19 lb ft).

12. Tighten the rear mounting bolts for the propeller shaft yoke to rear drive axle.

Tighten

Tighten the mounting bolts to 50 N·m (37 lb ft).

13. Remove the supports for the propeller shaft.
14. Lower the vehicle.