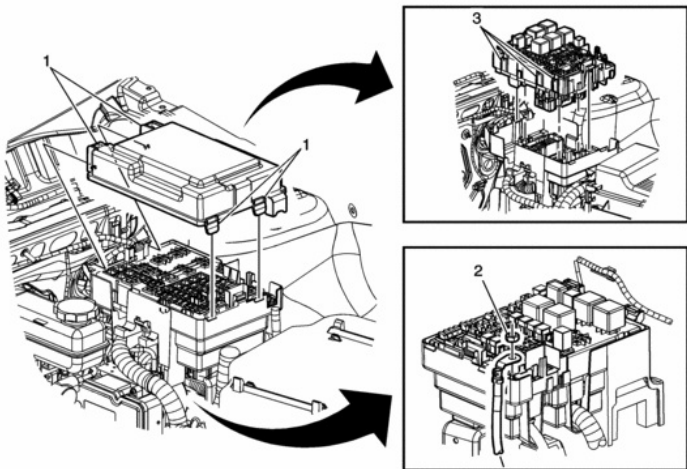


2008 Chevrolet EQUINOX

Submodel: LT | Engine Type: V6 | Liters: 3.4

Fuel Delivery: FI | Fuel: GAS

Underhood Electrical Center or Junction Block Replacement



[Click to Enlarge](#)

Callout	Component Name
Preliminary Procedure	
Disconnect the battery. Refer to Battery Replacement	
Underhood Electrical Center/Junction Block Cover Tab (Qty: 2)	
1	Procedure To remove the junction block cover, push in on the two locking tabs located on the rear of the cover and lift. To reinstall, fit together the tabs located on the front of the cover and push down on the cover until the tabs on the rear of the cover (closest to the dash) click into place.
Underhood Electrical Center/Junction Block Power Nut	
Caution! Refer to Fastener Notice in the Preface section.	
2	Procedure Disconnect the battery positive cable from the junction block by removing the nut. Tighten 7 N·m (62 lb in)
Underhood Electrical Center/Junction Block Tab (Qty: 6)	
3	Procedure Remove the electrical center/junction block by using a hook-like tool to disengage the tabs.