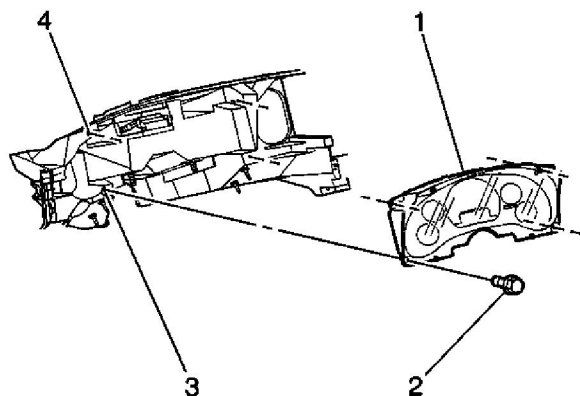


Instrument Cluster Replacement

Removal Procedure

Caution: Unless directed otherwise, the ignition and start switch must be in the OFF or LOCK position, and all electrical loads must be OFF before servicing any electrical component. Disconnect the negative battery cable to prevent an electrical spark should a tool or equipment come in contact with an exposed electrical terminal. Failure to follow these precautions may result in personal injury and/or damage to the vehicle or its components.

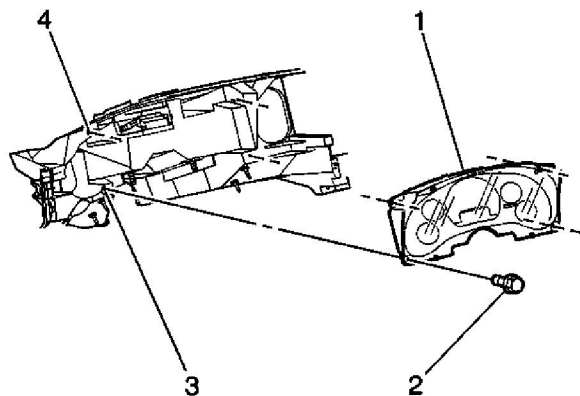
1. Disconnect the battery negative cable. Refer to [Battery Negative Cable Disconnection and Connection](#) in Engine Electrical.
2. Remove the instrument panel cluster trim plate. Refer to [Instrument Panel Cluster Trim Plate Bezel Replacement](#).
3. Tilt the steering column fully down, if equipped with tilt steering.



4. Remove the screws (2) that retain the instrument cluster to the instrument panel carrier
5. Remove the instrument cluster (1) from the vehicle.

Installation Procedure

© 2021 General Motors Corporation. All rights reserved.



1. Position the instrument cluster (1) to the vehicle.

Notice: Use the correct fastener in the correct location. Replacement fasteners must be the correct part number for that application. Fasteners requiring replacement or fasteners requiring the use of thread locking compound or sealant are identified in the service procedure. Do not use paints, lubricants, or corrosion inhibitors on fasteners or fastener joint surfaces unless specified. These coatings affect fastener torque and joint clamping force and may damage the fastener. Use the correct tightening sequence and specifications when installing fasteners in order to avoid damage to parts and systems.

2. Install the screws (2) that retain the instrument cluster to the instrument panel carrier.

Tighten

Tighten the screws to 2 N·m (18 lb in).

3. Install the instrument panel cluster trim plate. Refer to [Instrument Panel Cluster Trim Plate Bezel Replacement](#) .
4. Tilt the steering column to the up position, if equipped with tilt steering.
5. Connect the battery negative cable. Refer to [Battery Negative Cable Disconnection and Connection](#) in Engine Electrical.