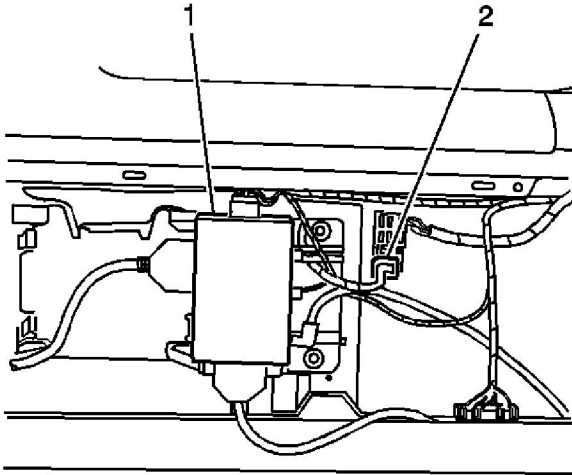


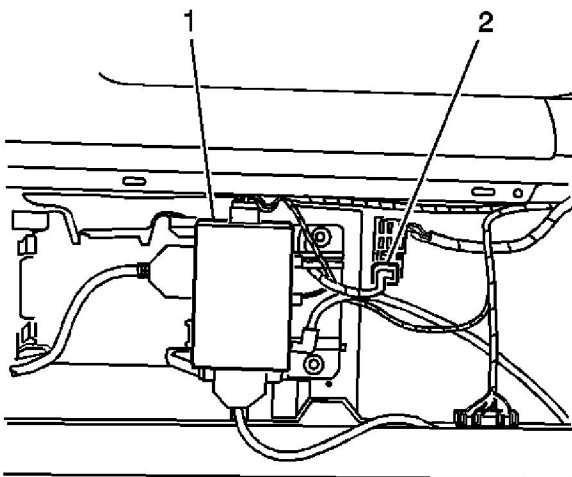
## Fog Lamp Relay Replacement (Luxury Y91)

### Removal Procedure



1. Remove the left body side-trim panel. Refer to [Body Side Trim Panel Replacement - Left Side](#) in Interior Trim.
2. Remove the fog lamp relay from the fuse block (2).

### Installation Procedure





1. Install the fog lamp relay to the fuse block (2).
2. Install the left body side-trim panel. Refer to [Body Side Trim Panel Replacement - Left Side](#) in Interior Trim.