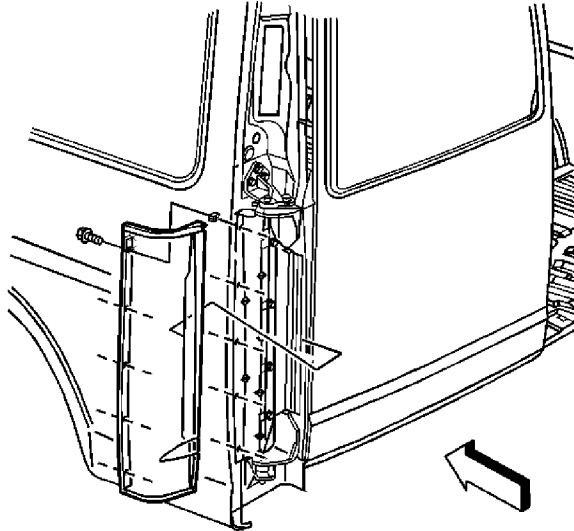


Rear Door Outer Extension Panel Replacement

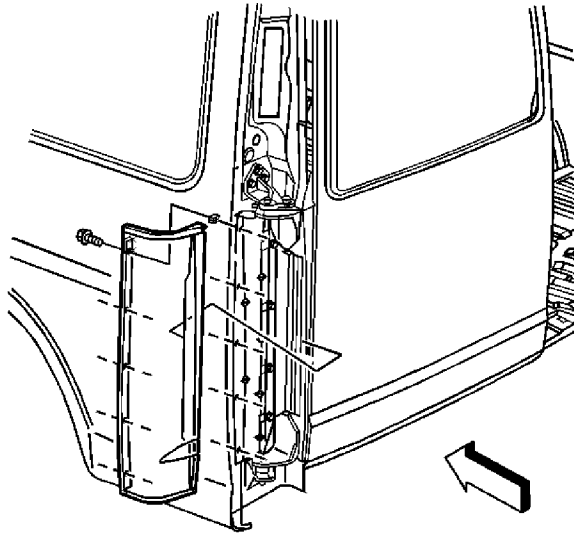
Removal Procedure

1. Completely open the rear door.



2. Remove the bolts that retain the door extension to the door.
3. Partially close the rear door.
4. Grasp the extension.
5. Pull the extension in order to disengage the extension from the door.
6. Remove the rear door extension panel from the vehicle.

Installation Procedure



1. Install the rear door extension panel to the vehicle.
2. Align the extension panel to the door.
3. Press on the rear door extension panel in order to engage the panel with the rear door.
4. Completely open the rear door.

Notice: Refer to [Fastener Notice](#) in the Preface section.

5. Install the bolts that retain the rear door extension panel to the door.

Tighten

Tighten the bolts 2 N·m (18 lb in).