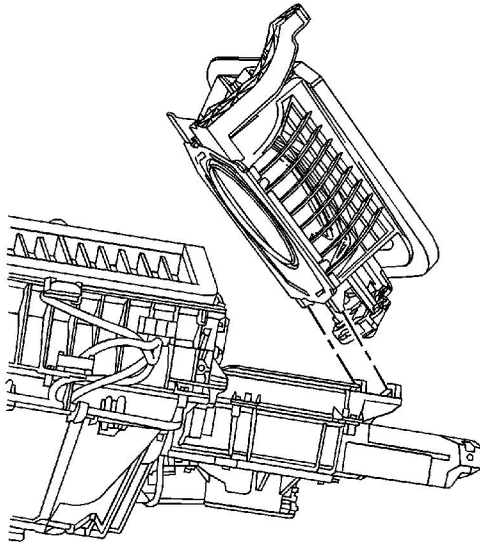


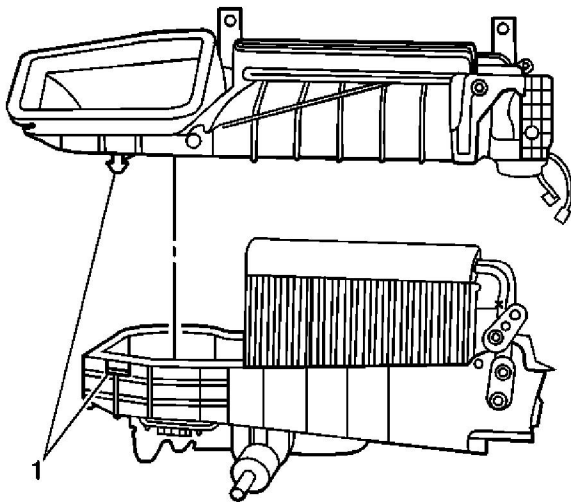
## Air Temperature Door Replacement

### Removal Procedure

1. Remove the HVAC module assembly. Refer to [HVAC Module Assembly Replacement](#) .
2. Remove the screws that secure the recirculation housing to the HVAC module assembly.

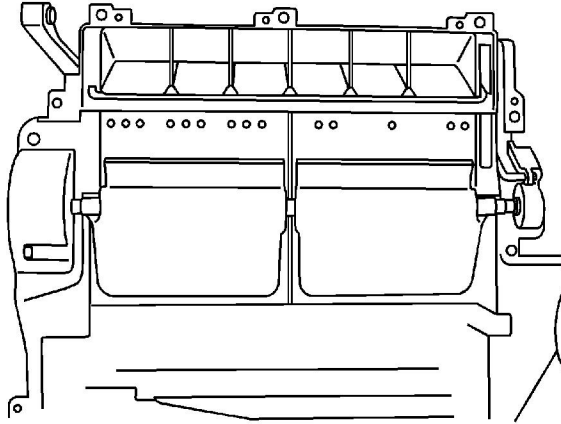


3. Remove the recirculation housing from the HVAC module assembly.
4. Remove the screws that secure the mode actuator to the HVAC module assembly.
5. Remove the mode actuator from the HVAC module assembly.
6. Remove the screws that secure HVAC module assembly upper case to the HVAC module assembly lower case.
7. Remove the heat stakes that secure the HVAC module assembly upper case to the HVAC module lower case using a small chisel.



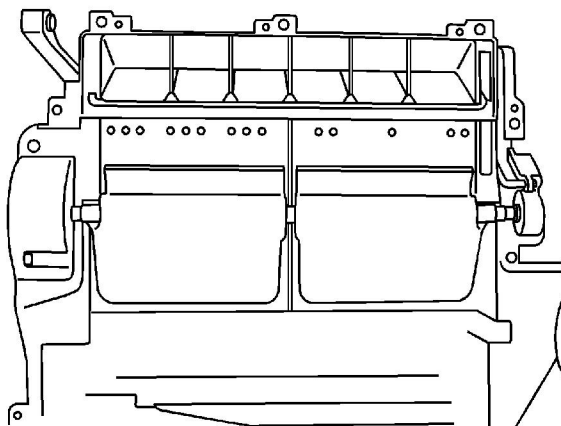


8. Separate the HVAC module assembly case (1).
9. Remove the screws that secure the air temperature actuator to the HVAC module assembly upper case.
10. Remove the air temperature actuator from the HVAC module assembly upper case.



11. Remove the air temperature door from the HVAC module assembly upper case.

## Installation Procedure



1. Install the air temperature door to the HVAC module assembly upper case.

2. Install the air temperature actuator to the HVAC module assembly upper case.

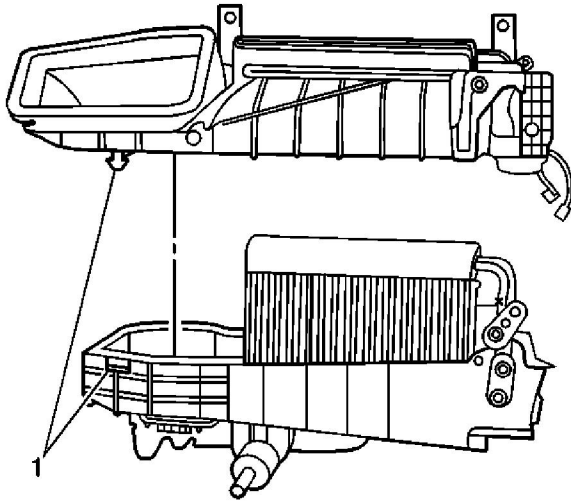
**Notice:** Refer to [Fastener Notice](#) in the Preface section.

3. Install the screws that secure the air temperature actuator to the HVAC module assembly upper case.

#### **Tighten**

Tighten the screws to 1.5 N·m (13 lb in).

4. From the inside of the upper case, drill the dimples adjacent to the heat stakes using a 5.5 mm (7/32 in) drill bit.



5. Align and attach the upper and lower HVAC module assembly case.
6. Install the removed screws that secure the HVAC module assembly upper case to the HVAC module assembly lower case to their original position.

#### **Tighten**

Tighten the screws to 1.5 N·m (13 lb in).

7. Install new screws that will secure the HVAC module assembly upper case to the HVAC module assembly lower case in the locations adjacent to the heat stakes.

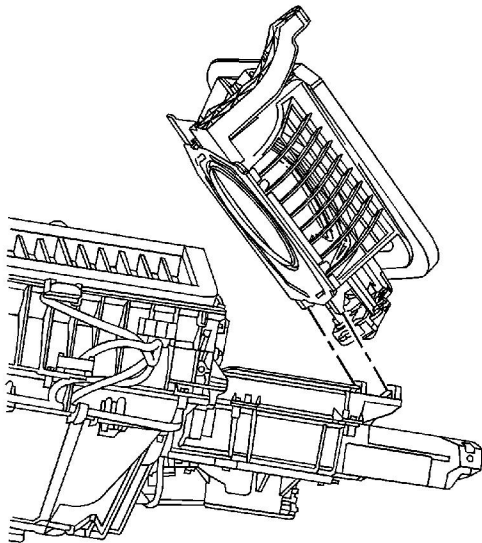
#### **Tighten**

Tighten the screws to 1.5 N·m (13 lb in).

8. Install the mode actuator.
9. Install the screws that secure the mode actuator to the HVAC module assembly.

#### **Tighten**

Tighten the screws to 1.5 N·m (13 lb in).



10. Install the recirculation housing to the HVAC module assembly.
11. Install the screws that secure the recirculation housing to the HVAC module assembly.

**Tighten**

Tighten the screws to 1.5 N·m (13 lb in).

12. Install the HVAC module assembly. Refer to [HVAC Module Assembly Replacement](#) .