

AIR CONDITIONING

[Fig. 1: Automatic A/C Circuit \(1 of 2\)](#)

[Fig. 2: Automatic A/C Circuit \(2 of 2\)](#)

[Fig. 3: Compressor Circuit](#)

[Fig. 4: Manual A/C Circuit \(1 of 2\)](#)

[Fig. 5: Manual A/C Circuit \(2 of 2\)](#)

ANTI-LOCK BRAKES

[Fig. 6: Anti-lock Brakes Circuit, Except Hybrid \(1 of 2\)](#)

[Fig. 7: Anti-lock Brakes Circuit, Except Hybrid \(2 of 2\)](#)

[Fig. 8: Anti-lock Brakes Circuit, Hybrid \(1 of 2\)](#)

[Fig. 9: Anti-lock Brakes Circuit, Hybrid \(2 of 2\)](#)

ANTI-THEFT

[Fig. 10: Anti-theft Circuit](#)

BODY CONTROL MODULES

[Fig. 11: Body Control Modules Circuit \(1 of 4\)](#)

[Fig. 12: Body Control Modules Circuit \(2 of 4\)](#)

[Fig. 13: Body Control Modules Circuit \(3 of 4\)](#)

[Fig. 14: Body Control Modules Circuit \(4 of 4\)](#)

COMPUTER DATA LINES

[Fig. 15: Computer Data Lines Circuit, Except Hybrid](#)

[Fig. 16: Computer Data Lines Circuit, Hybrid](#)

COOLING FAN

[Fig. 17: Cooling Fan Circuit, W/ Hybrid](#)

[Fig. 18: Cooling Fan Circuit, W/O Hybrid](#)

CRUISE CONTROL

[Fig. 19: Cruise Control Circuit](#)

DEFOGGERS

[Fig. 20: Defoggers Circuit](#)

ELECTRONIC POWER STEERING

[Fig. 21: Electronic Power Steering Circuit](#)

ENGINE PERFORMANCE

2.4L VIN 5

[Fig. 22: 2.4L VIN 5, Engine Controls Circuit \(1 of 4\)](#)

[Fig. 23: 2.4L VIN 5, Engine Controls Circuit \(2 of 4\)](#)

[Fig. 24: 2.4L VIN 5, Engine Controls Circuit \(3 of 4\)](#)

[Fig. 25: 2.4L VIN 5, Engine Controls Circuit \(4 of 4\)](#)

[Fig. 26: 2.4L VIN 5, Hybrid System Circuit \(1 of 3\)](#)

[Fig. 27: 2.4L VIN 5, Hybrid System Circuit \(2 of 3\)](#)

[Fig. 28: 2.4L VIN 5, Hybrid System Circuit \(3 of 3\)](#)

2.4L VIN B

[Fig. 29: 2.4L VIN B, Engine Performance Circuit \(1 of 4\)](#)

[Fig. 30: 2.4L VIN B, Engine Performance Circuit \(2 of 4\)](#)

[Fig. 31: 2.4L VIN B, Engine Performance Circuit \(3 of 4\)](#)

[Fig. 32: 2.4L VIN B, Engine Performance Circuit \(4 of 4\)](#)

3.5L VIN N

[Fig. 33: 3.5L VIN N, Engine Performance Circuit \(1 of 4\)](#)

[Fig. 34: 3.5L VIN N, Engine Performance Circuit \(2 of 4\)](#)

[Fig. 35: 3.5L VIN N, Engine Performance Circuit \(3 of 4\)](#)

[Fig. 36: 3.5L VIN N, Engine Performance Circuit \(4 of 4\)](#)

3.6L VIN 7

[Fig. 37: 3.6L VIN 7, Engine Performance Circuit \(1 of 6\)](#)

[Fig. 38: 3.6L VIN 7, Engine Performance Circuit \(2 of 6\)](#)

[Fig. 39: 3.6L VIN 7, Engine Performance Circuit \(3 of 6\)](#)

[Fig. 40: 3.6L VIN 7, Engine Performance Circuit \(4 of 6\)](#)

[Fig. 41: 3.6L VIN 7, Engine Performance Circuit \(5 of 6\)](#)

[Fig. 42: 3.6L VIN 7, Engine Performance Circuit \(6 of 6\)](#)

EXTERIOR LIGHTS

[Fig. 43: Backup Lamps Circuit](#)

[Fig. 44: Exterior Lamps Circuit \(1 of 2\)](#)

[Fig. 45: Exterior Lamps Circuit \(2 of 2\)](#)

GROUND DISTRIBUTION

[Fig. 46: Ground Distribution Circuit \(1 of 3\)](#)

[Fig. 47: Ground Distribution Circuit \(2 of 3\)](#)

[Fig. 48: Ground Distribution Circuit \(3 of 3\)](#)

HEADLIGHTS

[Fig. 49: Headlights Circuit](#)

HORN

[Fig. 50: Horn Circuit](#)

INSTRUMENT CLUSTER

[Fig. 51: Instrument Cluster Circuit](#)

INTERIOR LIGHTS

[Fig. 52: Courtesy Lamps Circuit](#)

[Fig. 53: Instrument Illumination Circuit](#)

POWER DISTRIBUTION

[Fig. 54: Power Distribution Circuit \(1 of 4\)](#)

[Fig. 55: Power Distribution Circuit \(2 of 4\)](#)

[Fig. 56: Power Distribution Circuit \(3 of 4\)](#)

[Fig. 57: Power Distribution Circuit \(4 of 4\)](#)

POWER DOOR LOCKS

[Fig. 58: Power Door Locks Circuit](#)

POWER MIRRORS

[Fig. 59: Automatic Day/Night Mirror Circuit](#)

[Fig. 60: Power Mirrors Circuit](#)

POWER SEATS

[Fig. 61: 2-Way Adjustable Power Seat Circuit](#)

[Fig. 62: 6-Way Power Seat Circuit](#)

[Fig. 63: 8-Way Adjustable Power Seat Circuit](#)

[Fig. 64: Adjustable Pedal Circuit](#)

[Fig. 65: Heated Seats Circuit](#)

[Fig. 66: Passenger Power Seat Circuit](#)

POWER TOP/SUNROOF

[Fig. 67: Panoramic Roof Circuit](#)

[Fig. 68: Sunroof Circuit](#)

POWER WINDOWS

[Fig. 69: Power Windows Circuit](#)

RADIO

[Fig. 70: Radio Circuit, Enhanced \(1 of 3\)](#)

[Fig. 71: Radio Circuit, Enhanced \(2 of 3\)](#)

[Fig. 72: Radio Circuit, Enhanced \(3 of 3\)](#)

[Fig. 73: Radio Circuit, Premium \(1 of 2\)](#)

[Fig. 74: Radio Circuit, Premium \(2 of 2\)](#)

[Fig. 75: Satellite Radio Circuit](#)

SHIFT INTERLOCK

[Fig. 76: Shift Interlock Circuit](#)

STARTING/CHARGING

[Fig. 77: Charging Circuit](#)

[Fig. 78: Starting Circuit](#)

SUPPLEMENTAL RESTRAINTS

[Fig. 79: Supplemental Restraints Circuit \(1 of 3\)](#)

[Fig. 80: Supplemental Restraints Circuit \(2 of 3\)](#)

[Fig. 81: Supplemental Restraints Circuit \(3 of 3\)](#)

TRANSMISSION

2.4L VIN 5

[Fig. 82: 2.4L VIN 5, Transmission Circuit \(1 of 2\)](#)

[Fig. 83: 2.4L VIN 5, Transmission Circuit \(2 of 2\)](#)

2.4L VIN B

[Fig. 84: 2.4L VIN B, Transmission Circuit, 4 Speed A/T](#)

[Fig. 85: 2.4L VIN B, Transmission Circuit, 6 Speed A/T \(1 of 2\)](#)

[Fig. 86: 2.4L VIN B, Transmission Circuit, 6 Speed A/T \(2 of 2\)](#)

3.5L VIN N

[Fig. 87: 3.5L VIN N, Transmission Circuit](#)

3.6L VIN 7

[Fig. 88: 3.6L VIN 7, Transmission Circuit \(1 of 2\)](#)

[Fig. 89: 3.6L VIN 7, Transmission Circuit \(2 of 2\)](#)

TRUNK, TAILGATE, FUEL DOOR

[Fig. 90: Trunk/Tailgate Release Circuit](#)

WARNING SYSTEMS

[Fig. 91: Warning Systems Circuit](#)

WIPER/WASHER

[Fig. 92: Wiper/Washer Circuit](#)

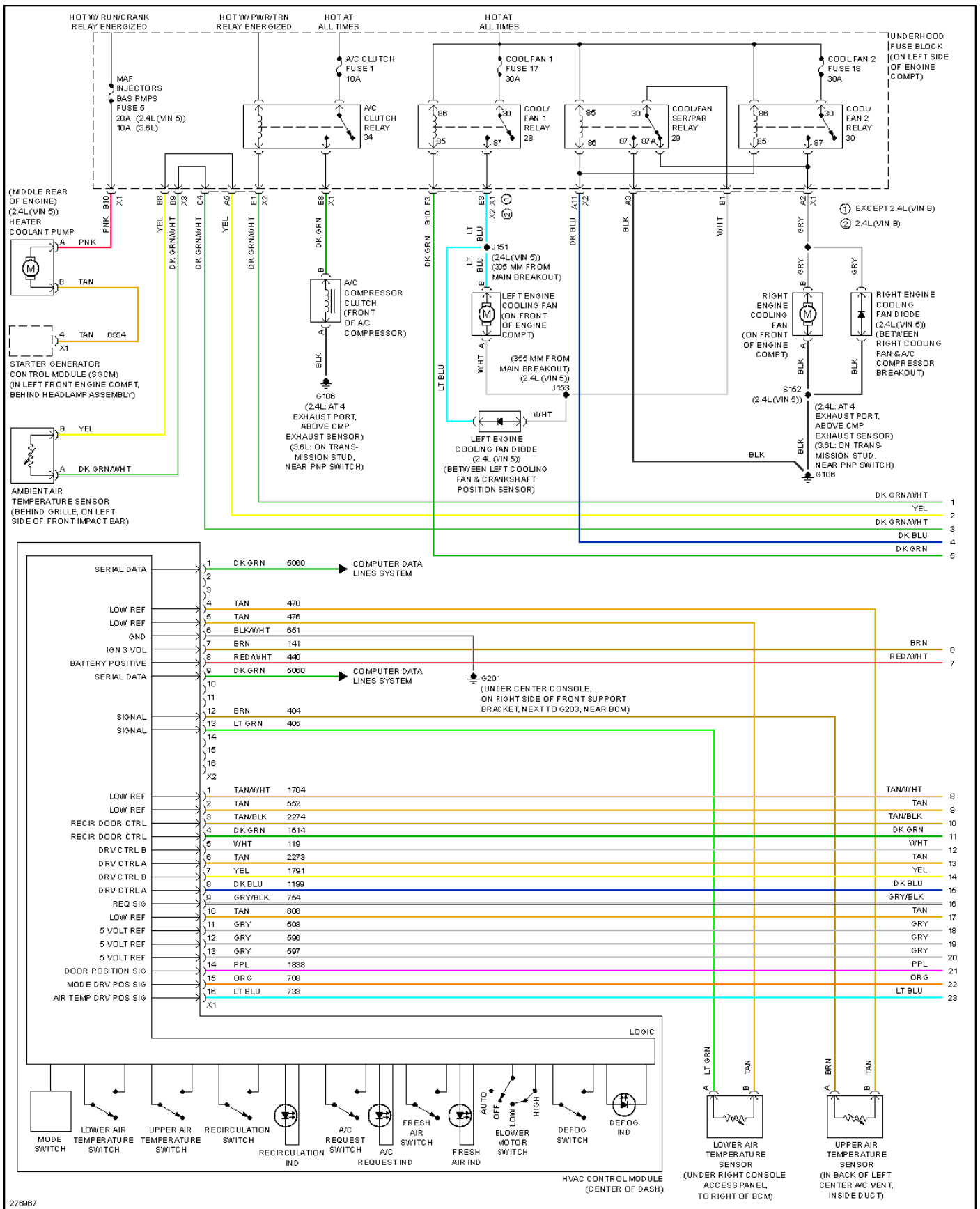


Fig. 1: Automatic A/C Circuit (1 of 2)

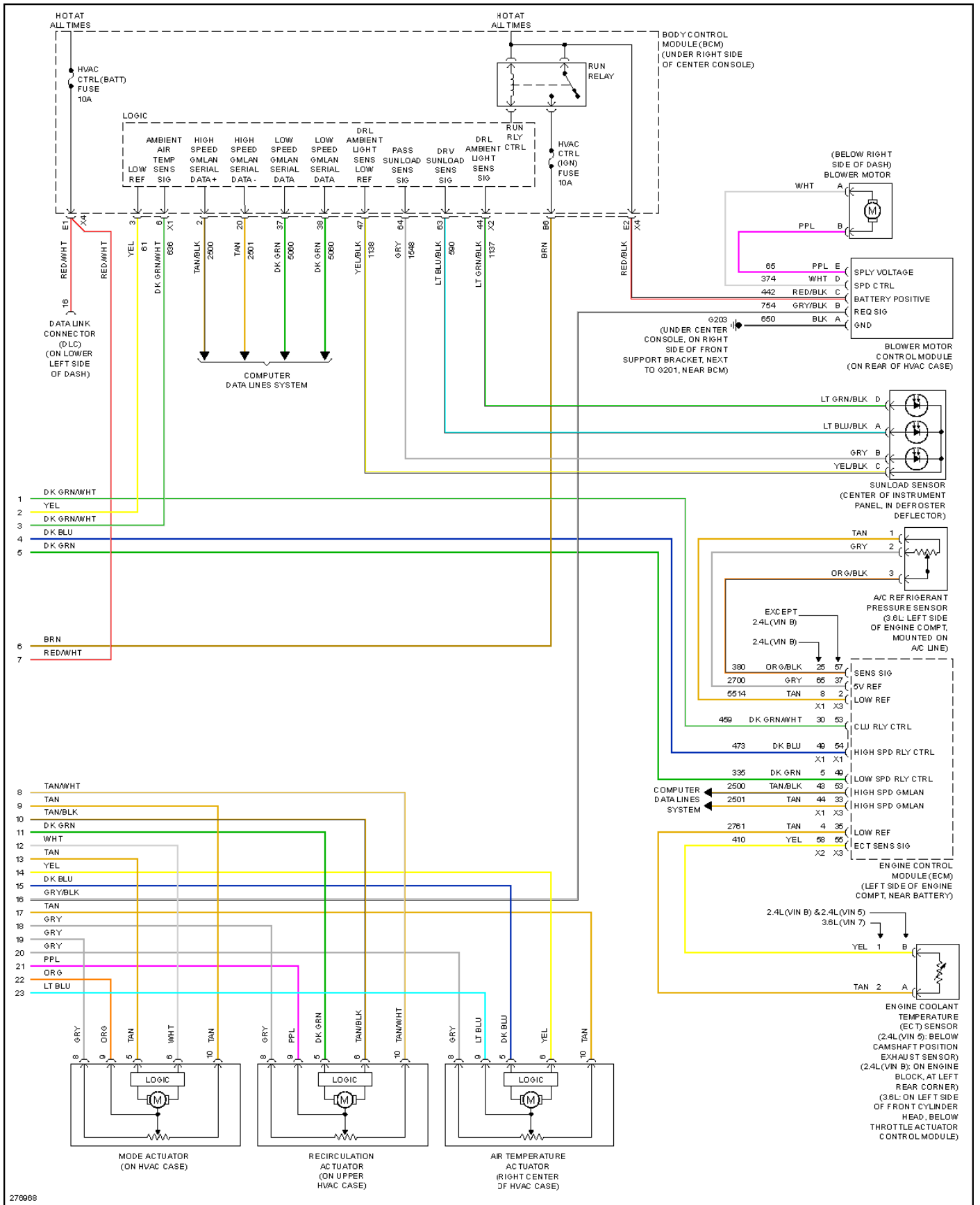


Fig. 2: Automatic A/C Circuit (2 of 2)

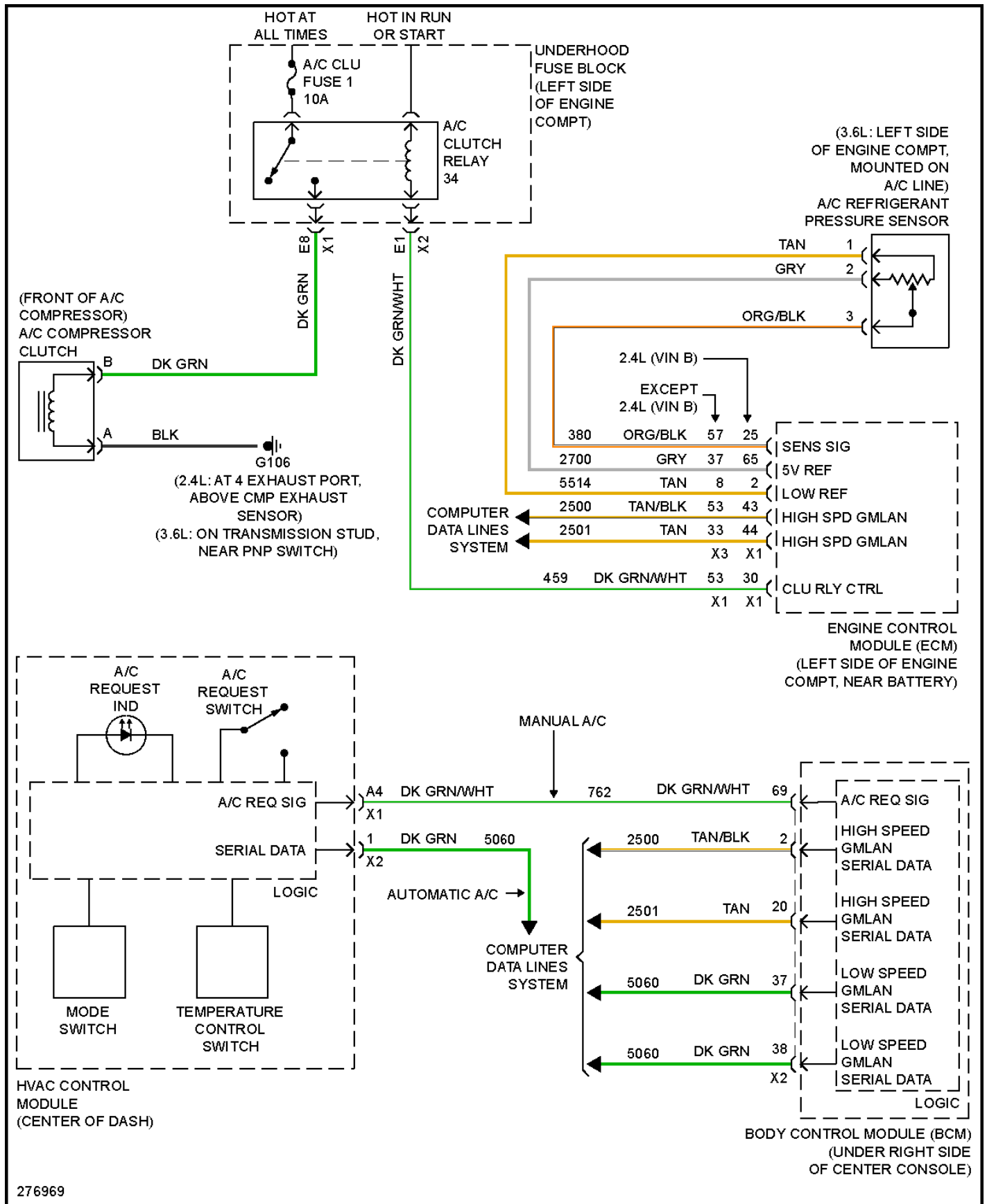


Fig. 3: Compressor Circuit

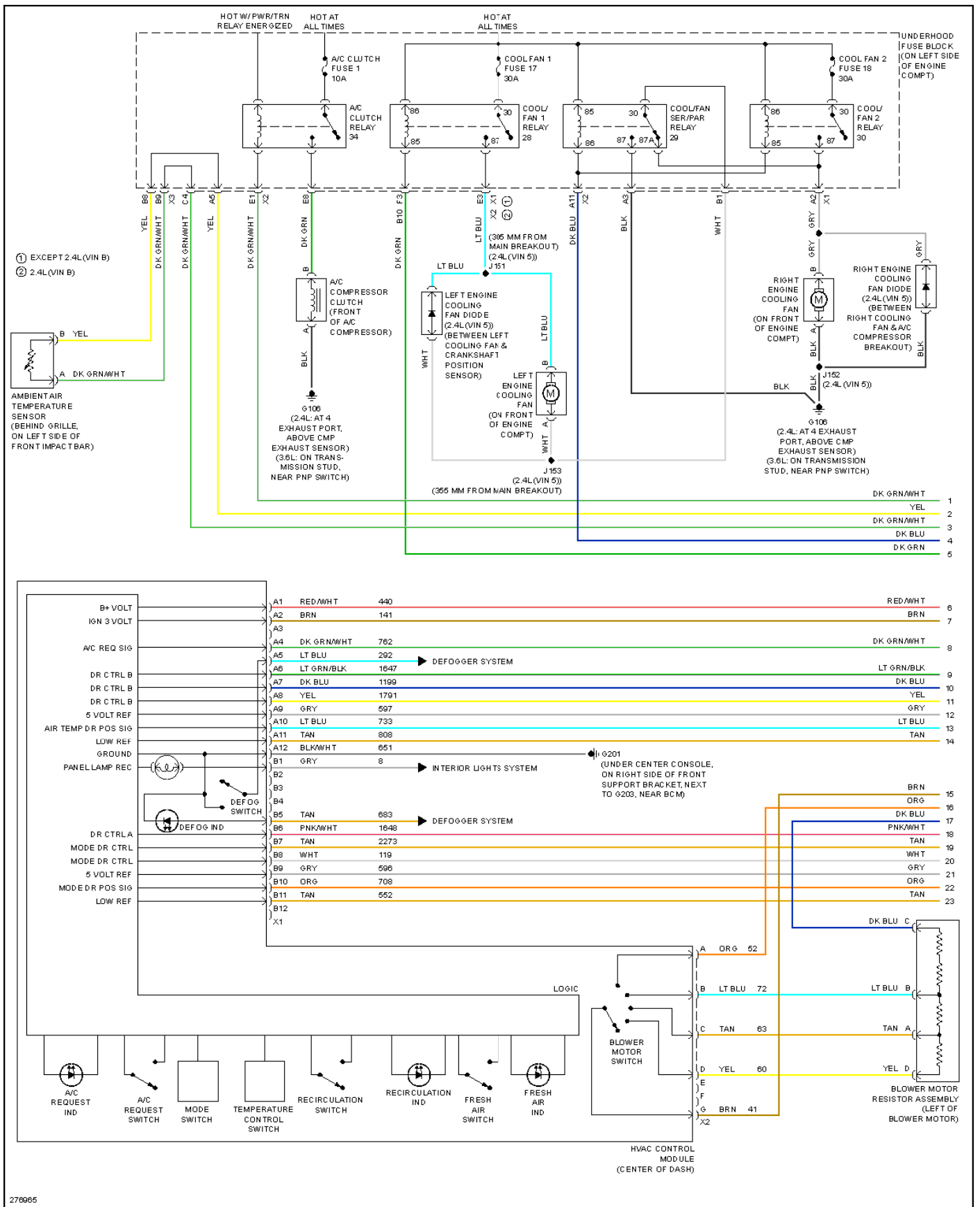


Fig. 4: Manual A/C Circuit (1 of 2)

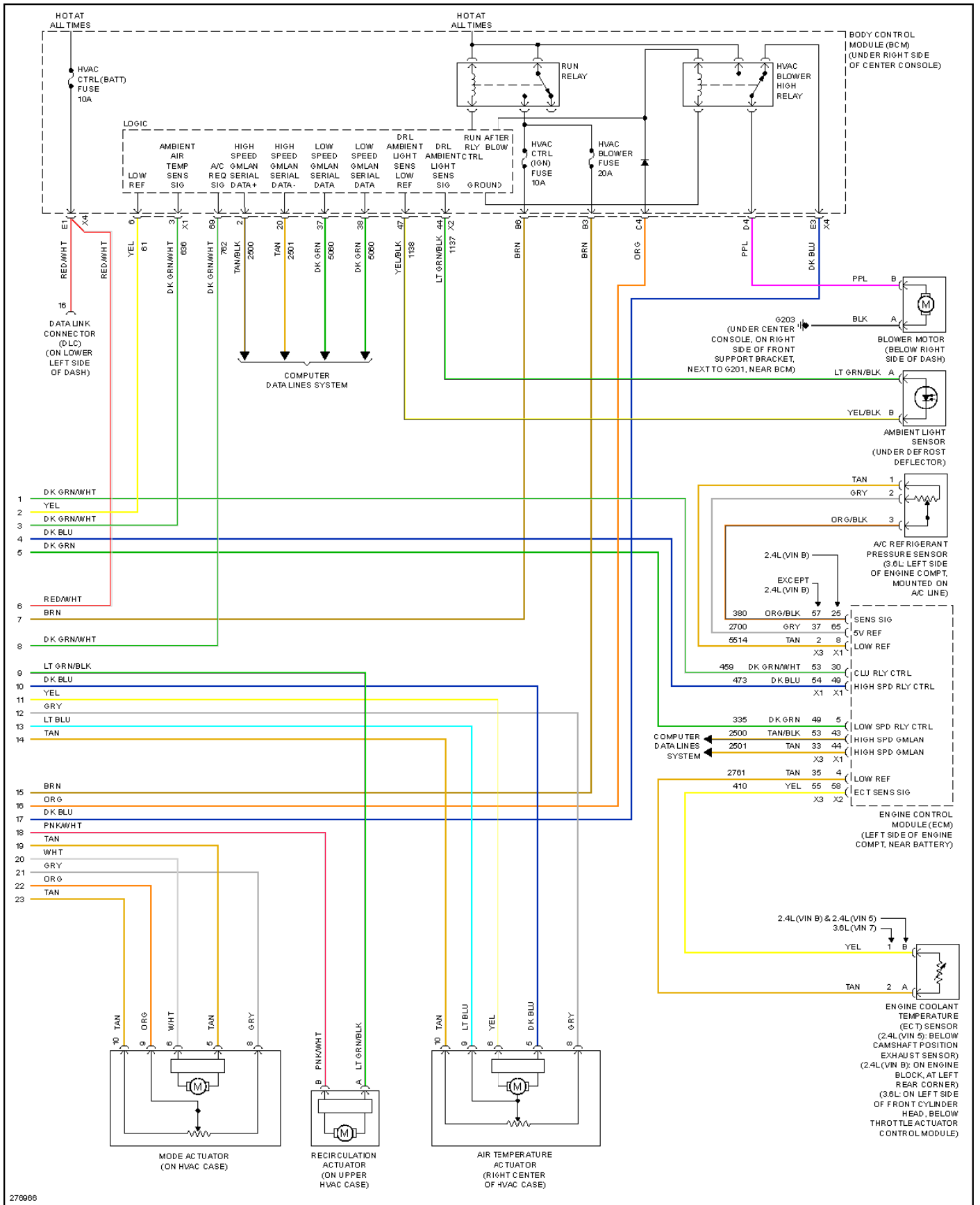


Fig. 5: Manual A/C Circuit (2 of 2)

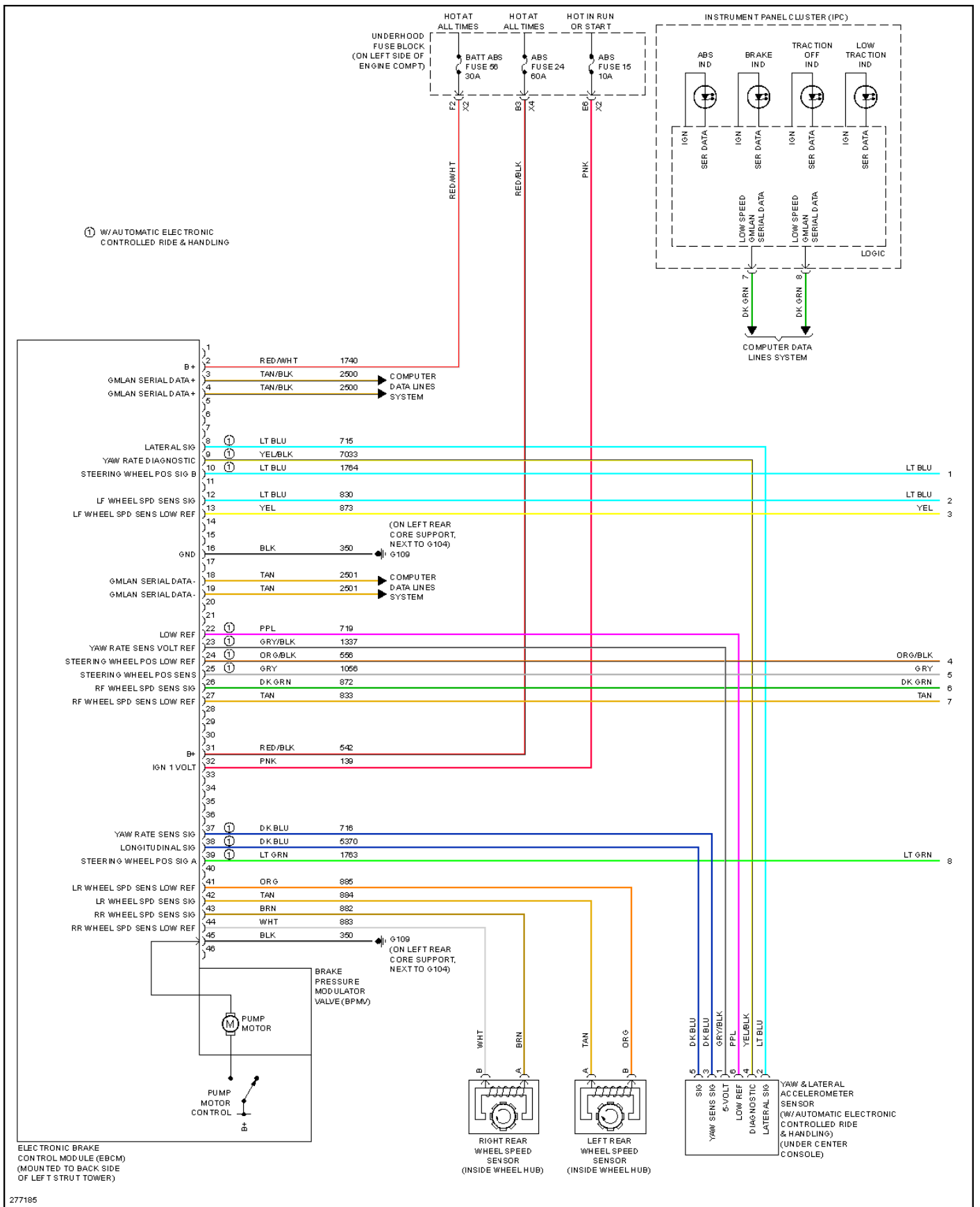
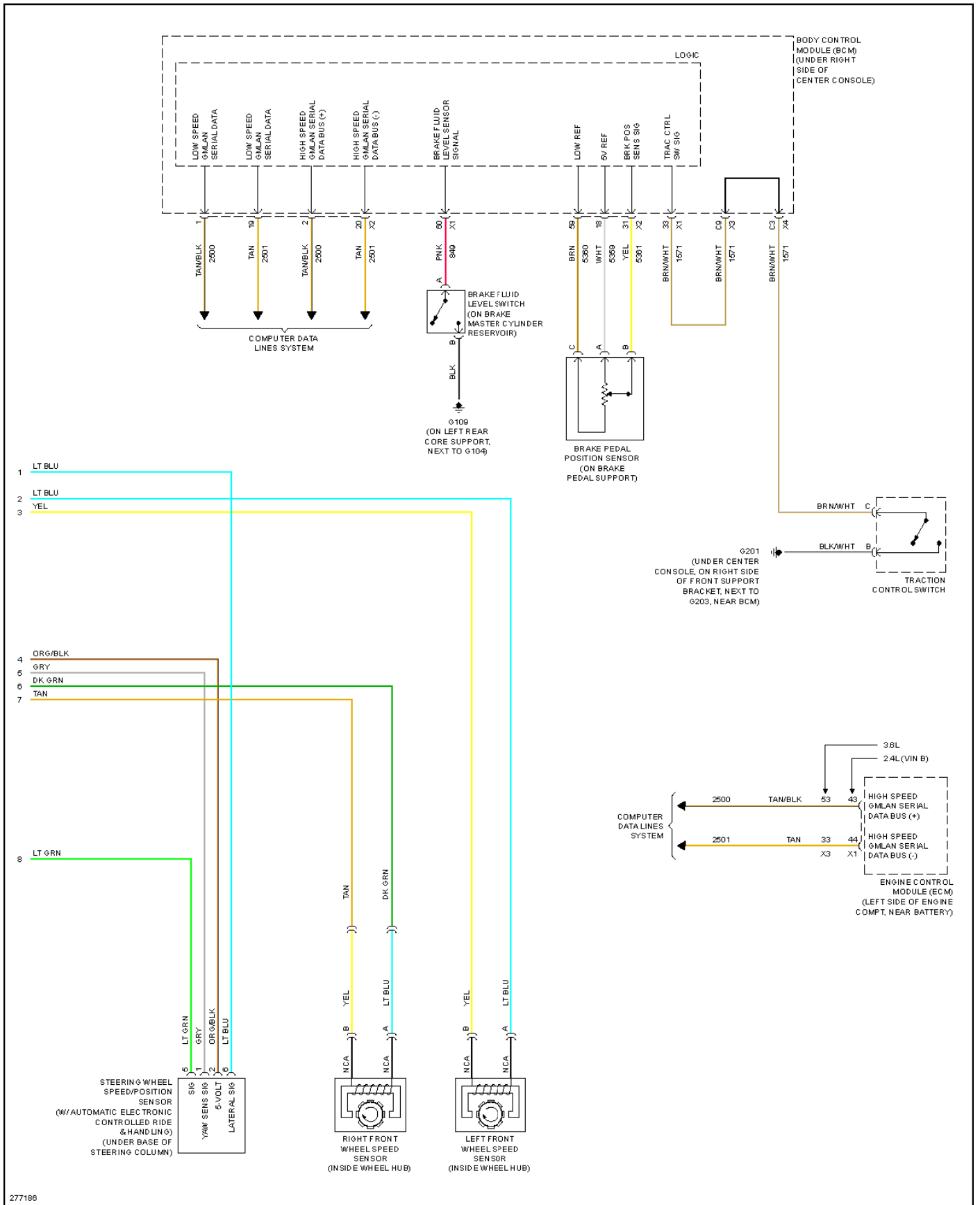


Fig. 6: Anti-lock Brakes Circuit, Except Hybrid (1 of 2)



277186

Fig. 7: Anti-lock Brakes Circuit, Except Hybrid (2 of 2)

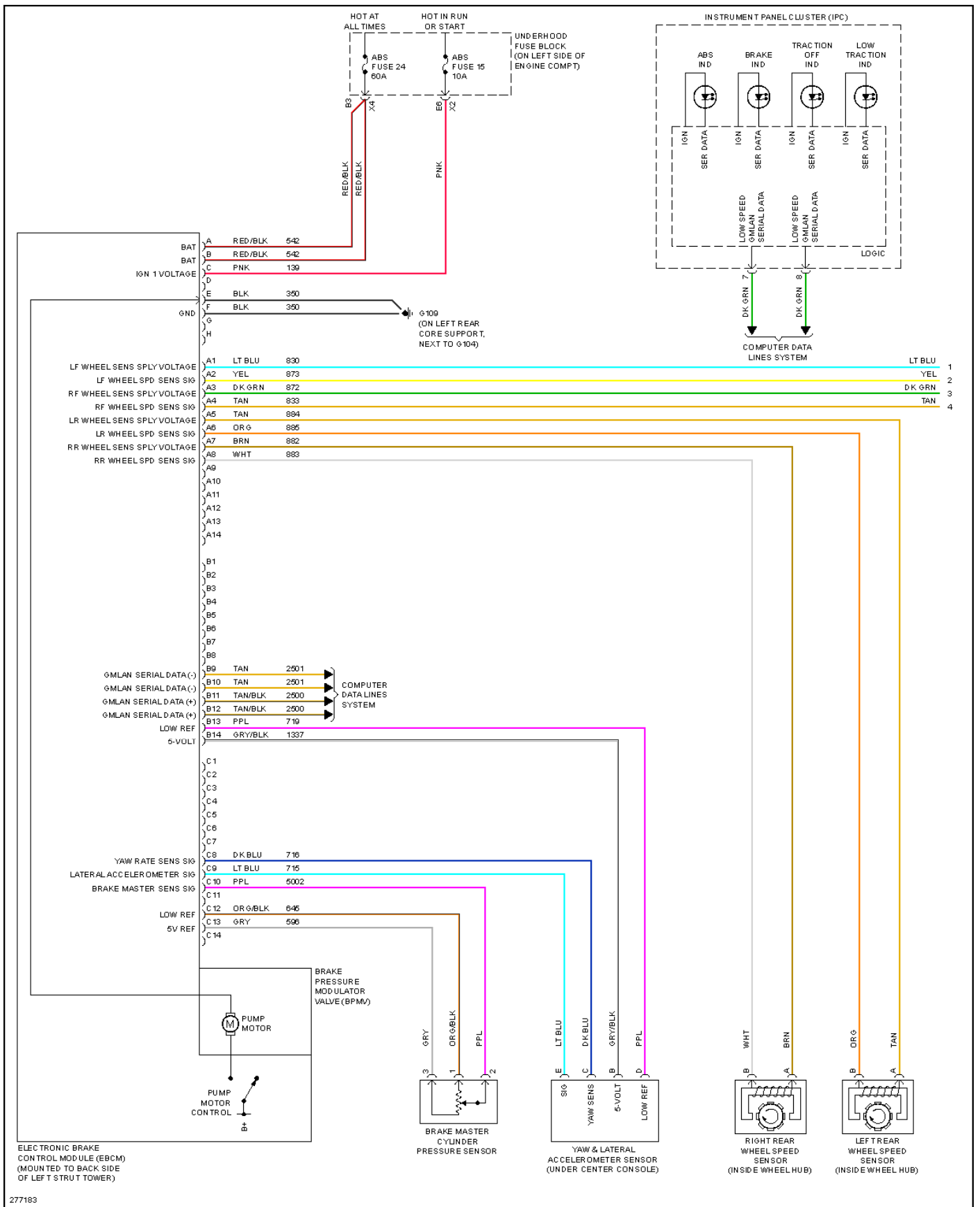
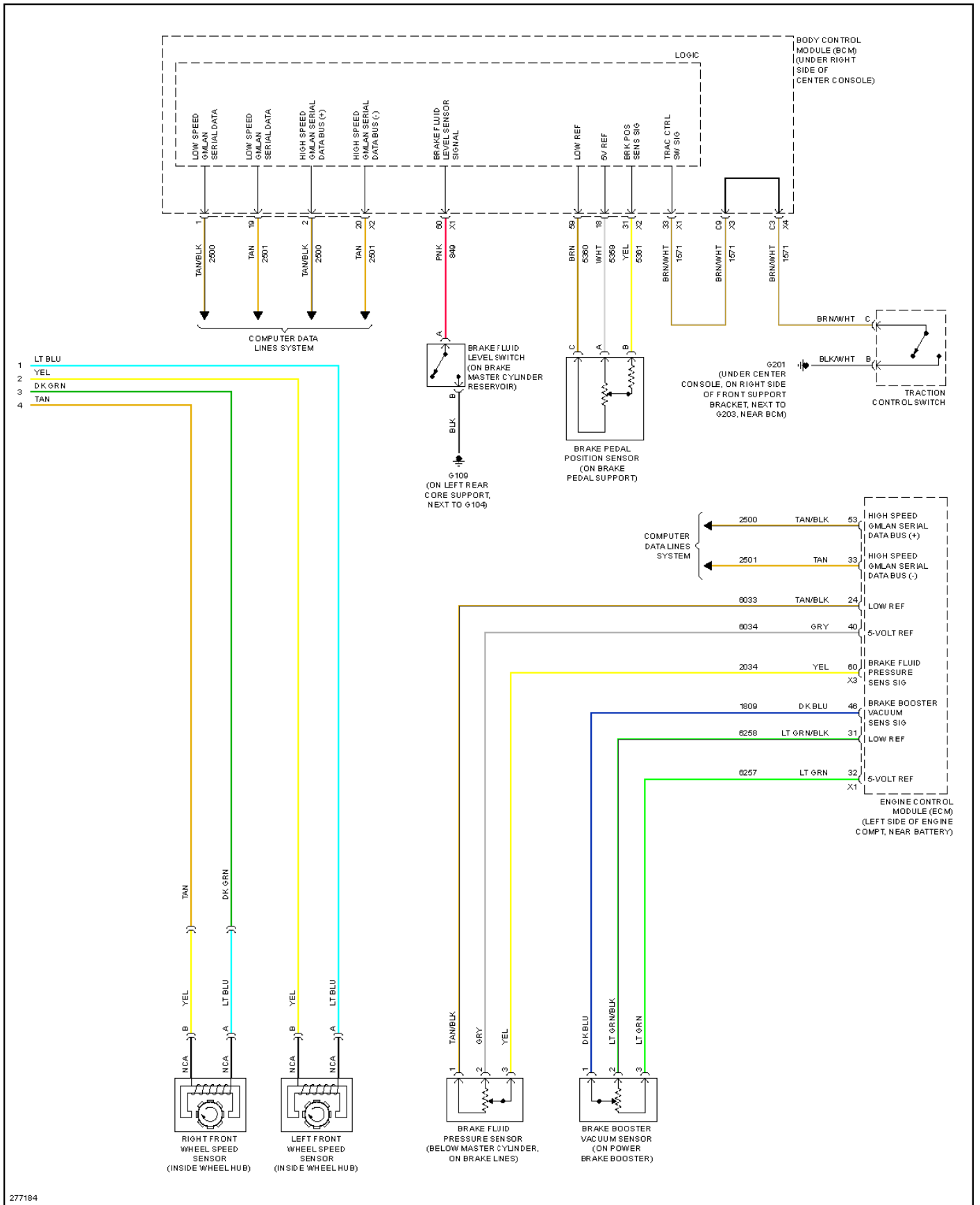


Fig. 8: Anti-lock Brakes Circuit, Hybrid (1 of 2)



277184

Fig. 9: Anti-lock Brakes Circuit, Hybrid (2 of 2)

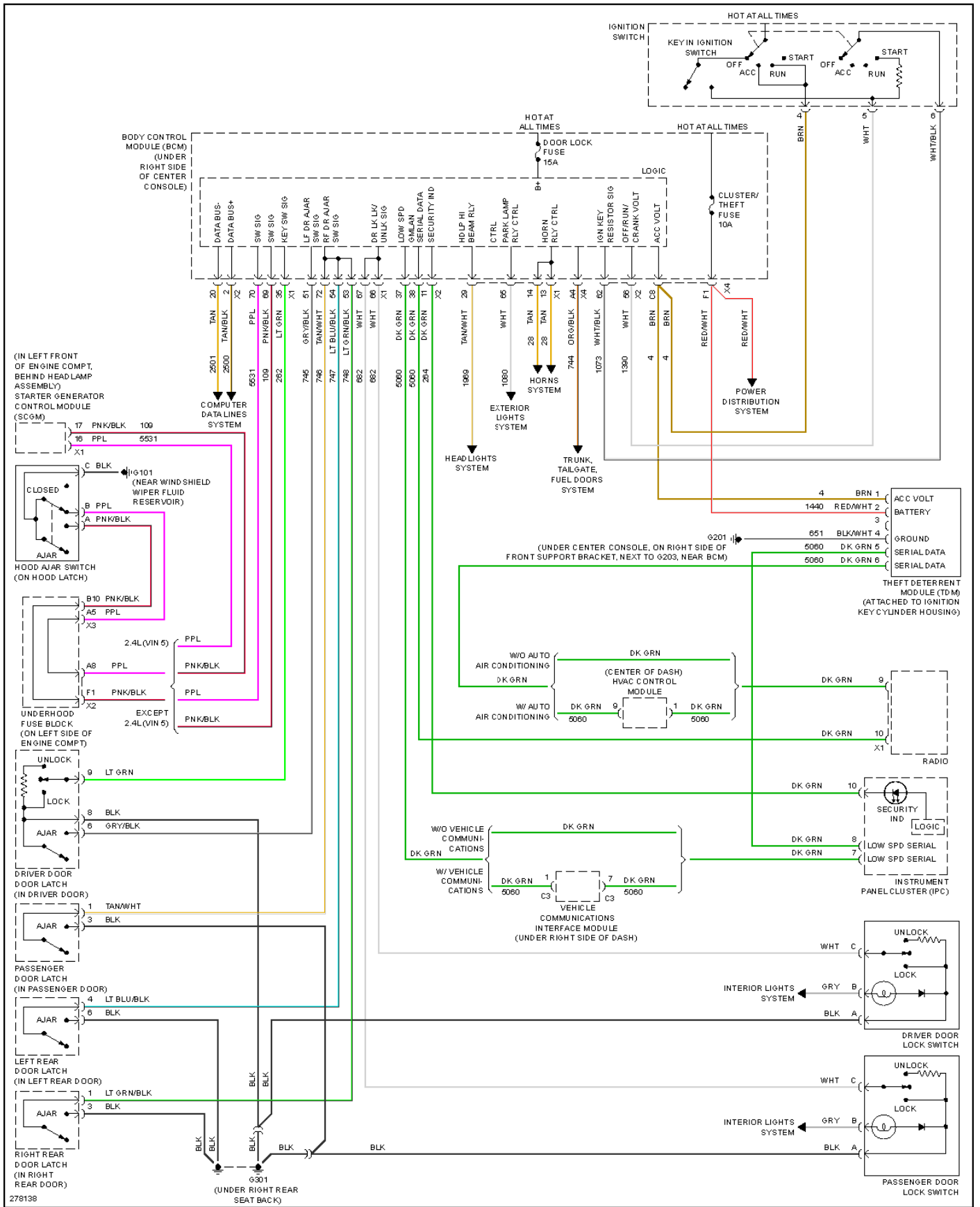


Fig. 10: Anti-theft Circuit

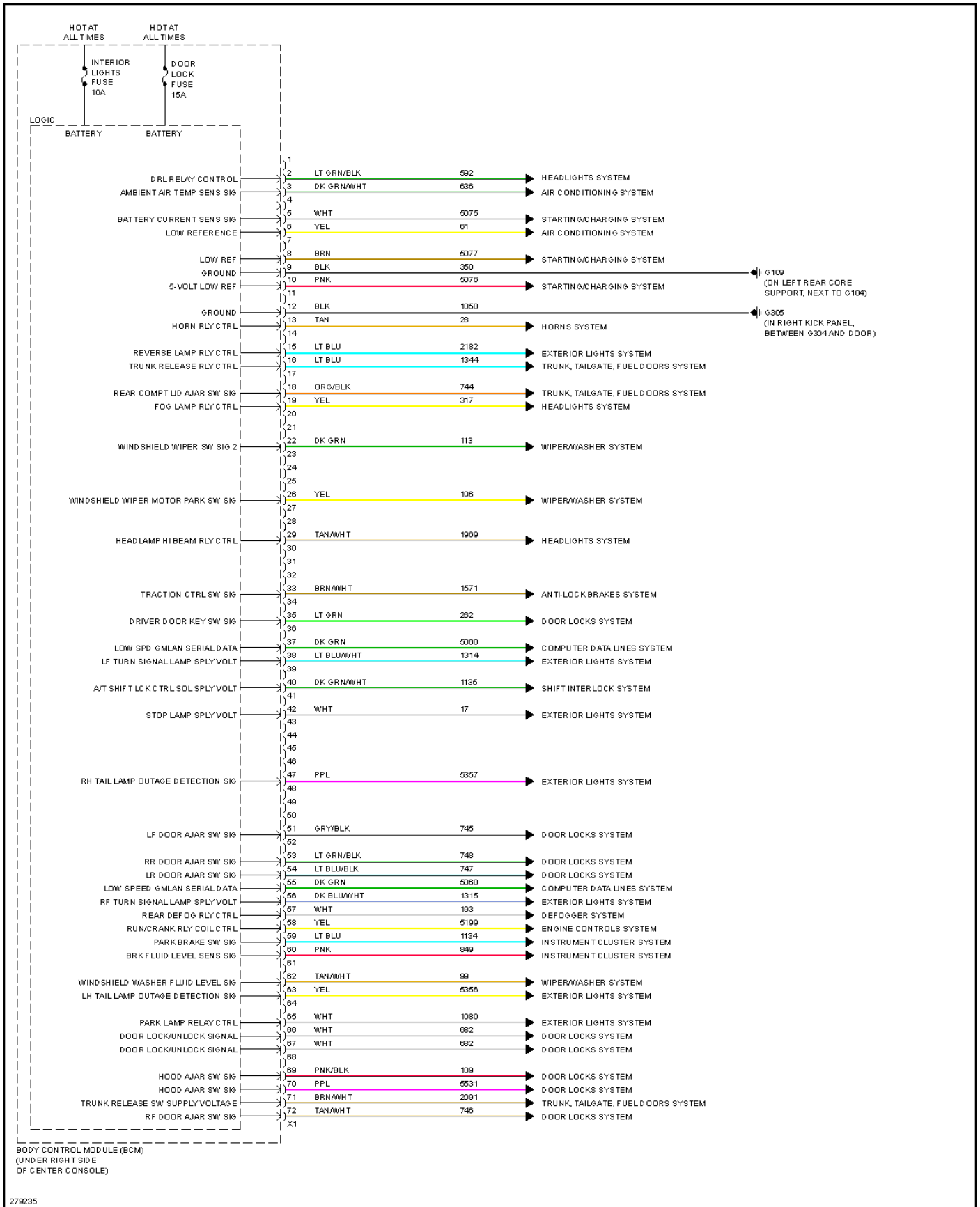
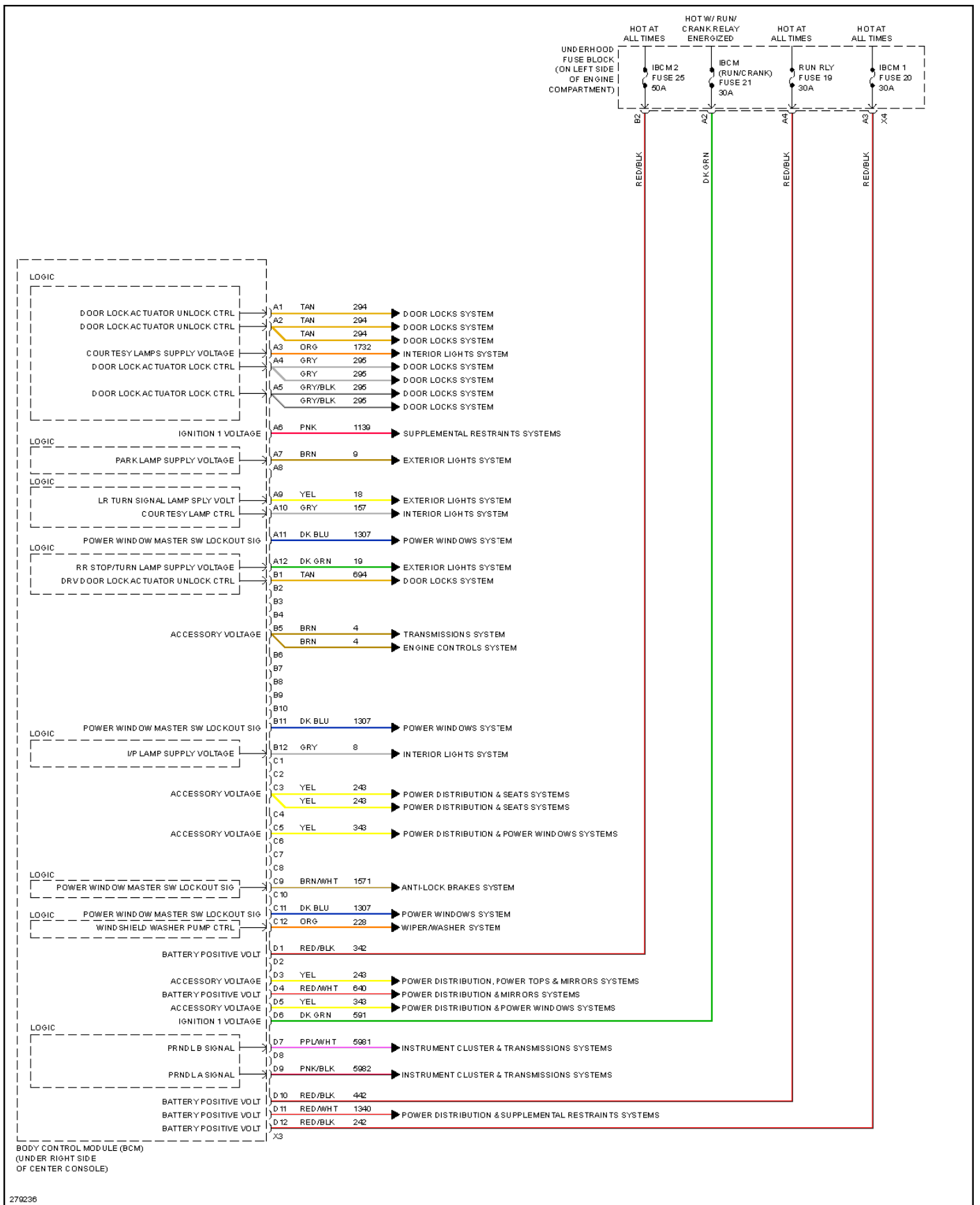


Fig. 11: Body Control Modules Circuit (1 of 4)



279236

Fig. 12: Body Control Modules Circuit (2 of 4)

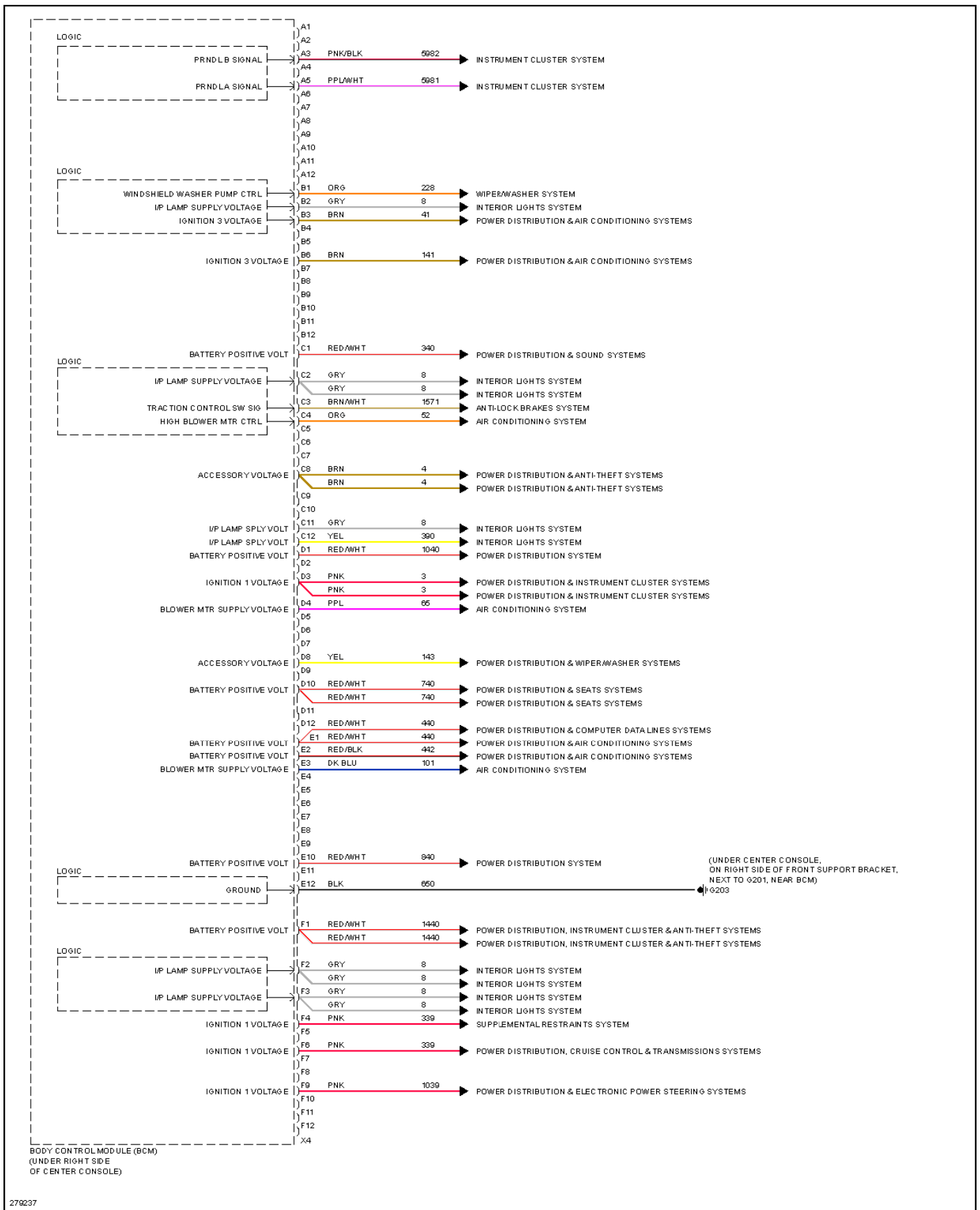
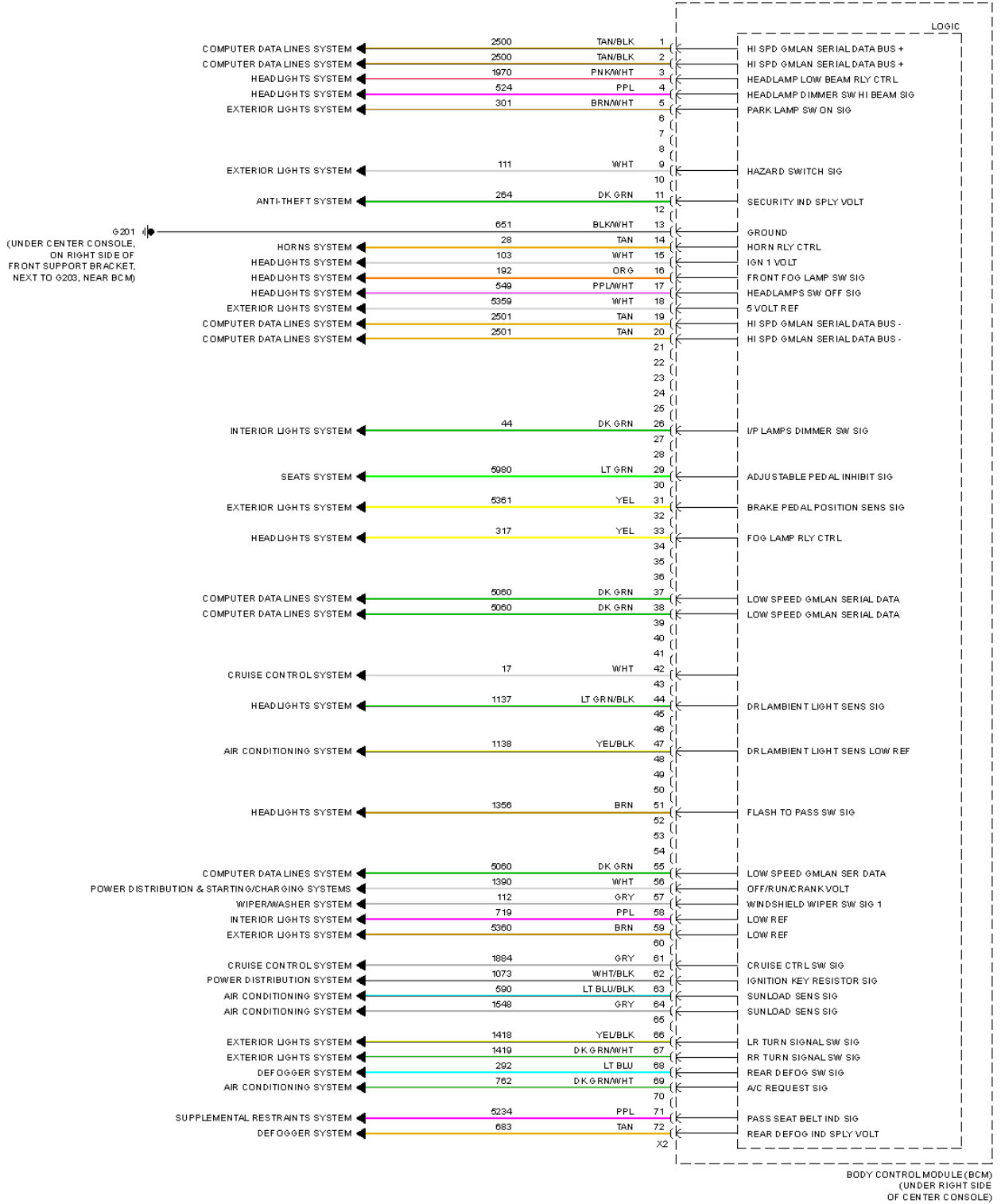


Fig. 13: Body Control Modules Circuit (3 of 4)



279238

Fig. 14: Body Control Modules Circuit (4 of 4)

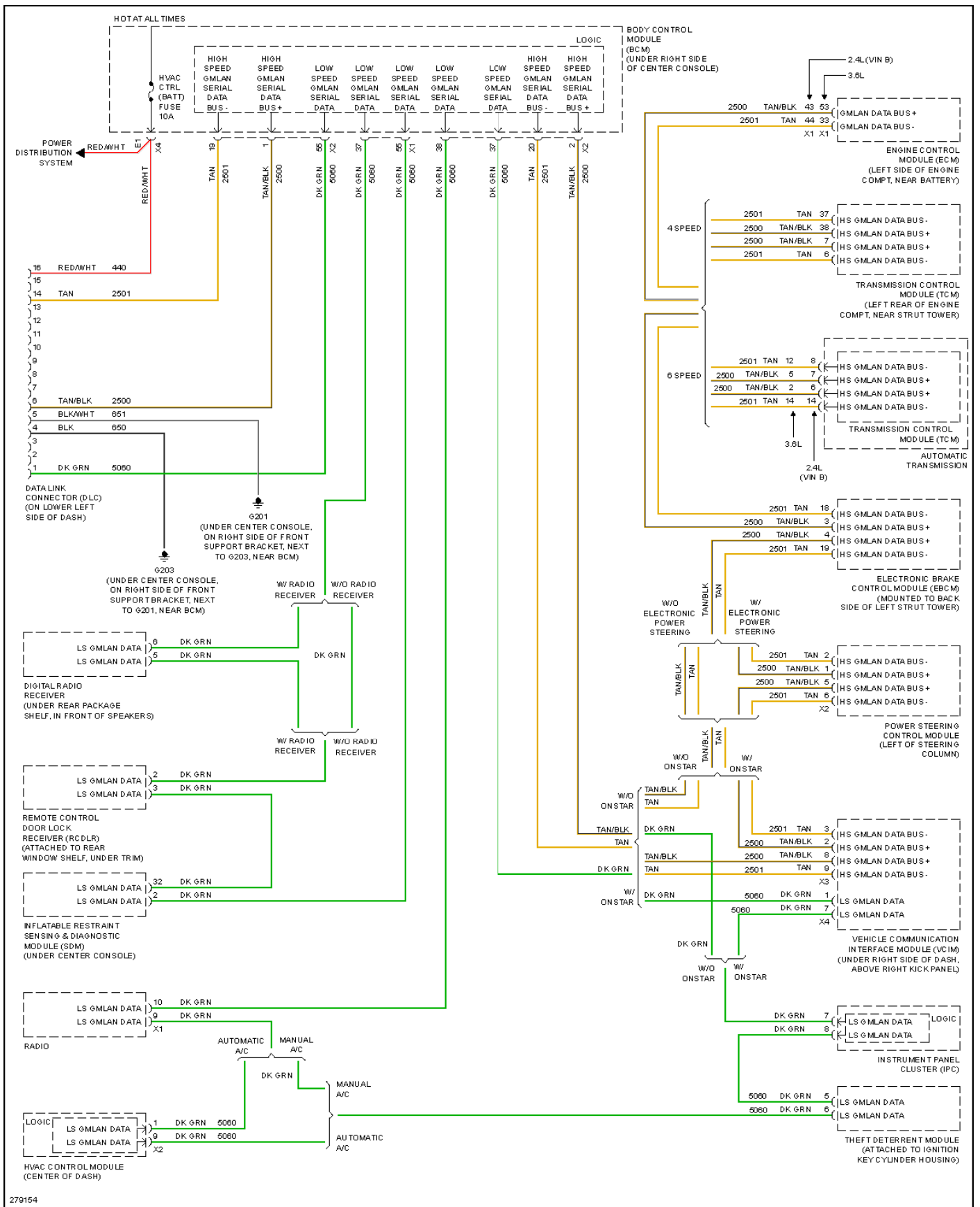


Fig. 15: Computer Data Lines Circuit, Except Hybrid

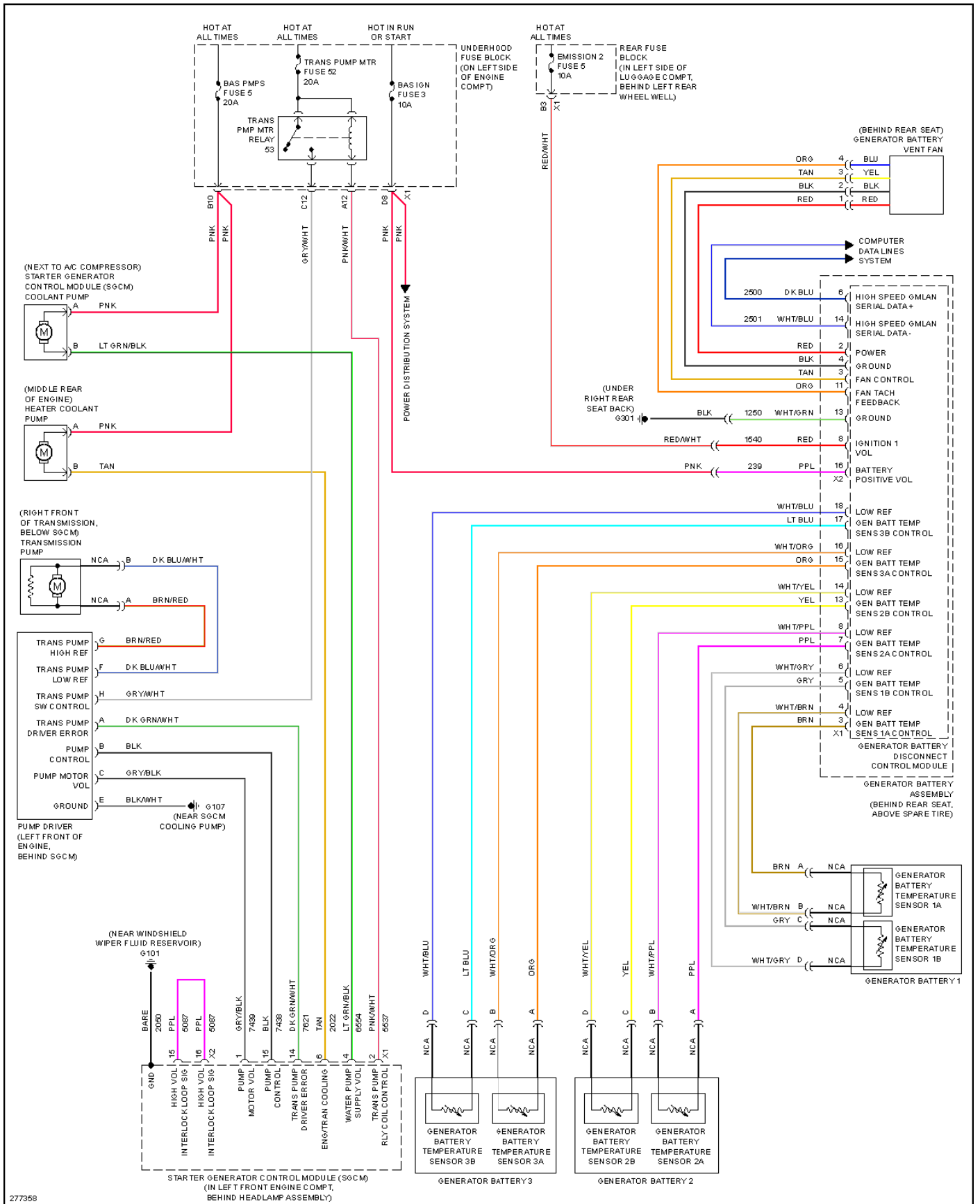


Fig. 17: Cooling Fan Circuit, W/ Hybrid

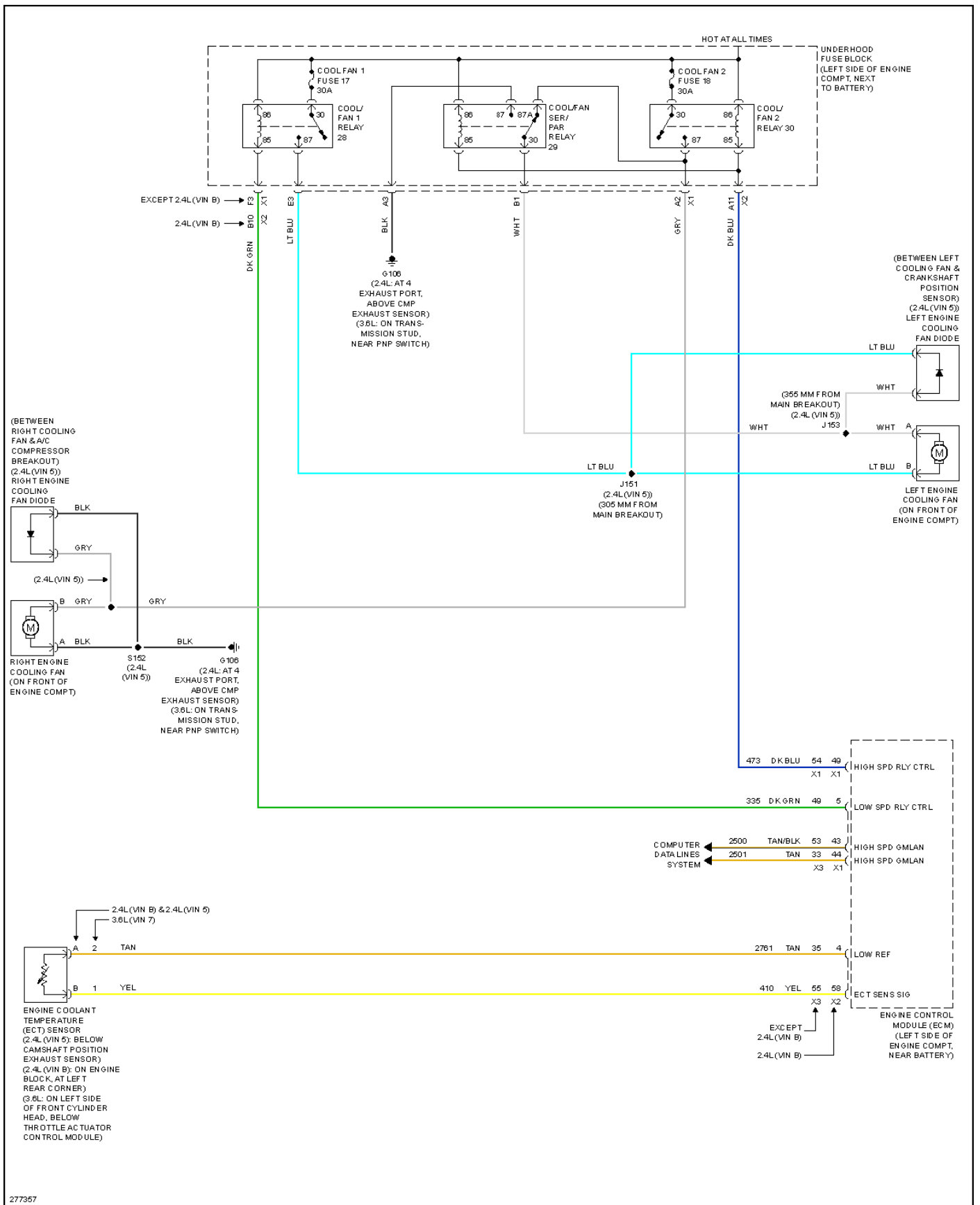


Fig. 18: Cooling Fan Circuit, W/O Hybrid

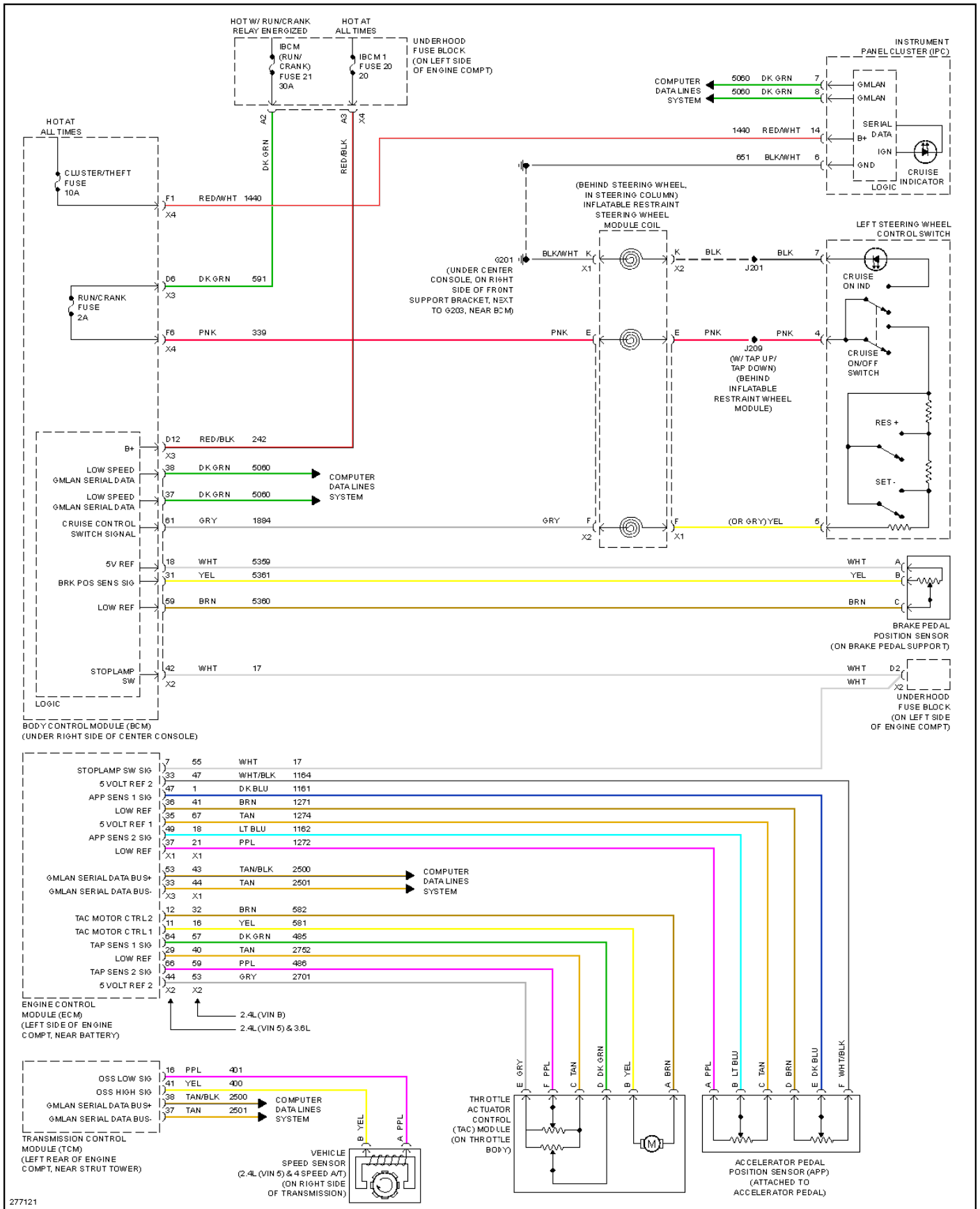
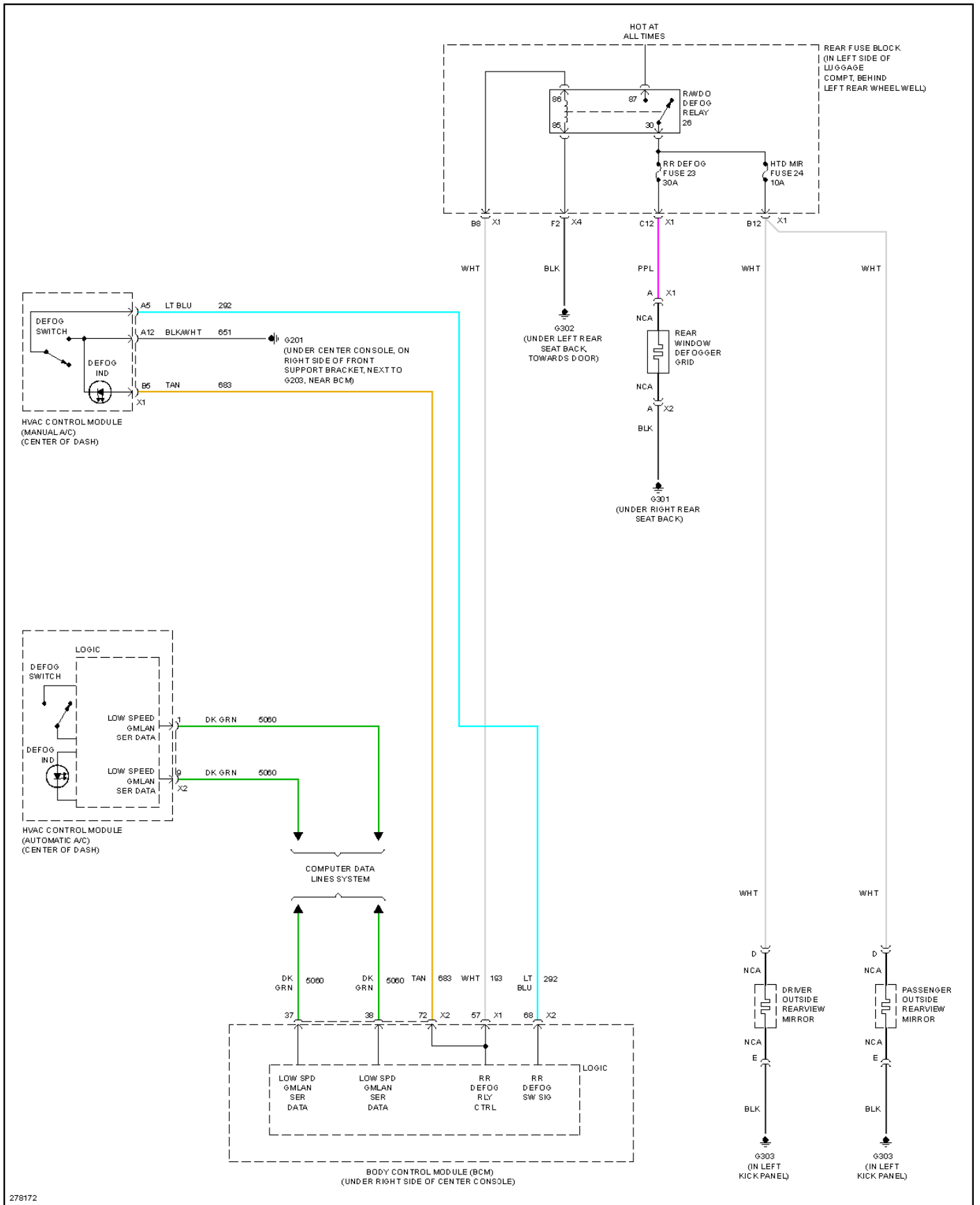
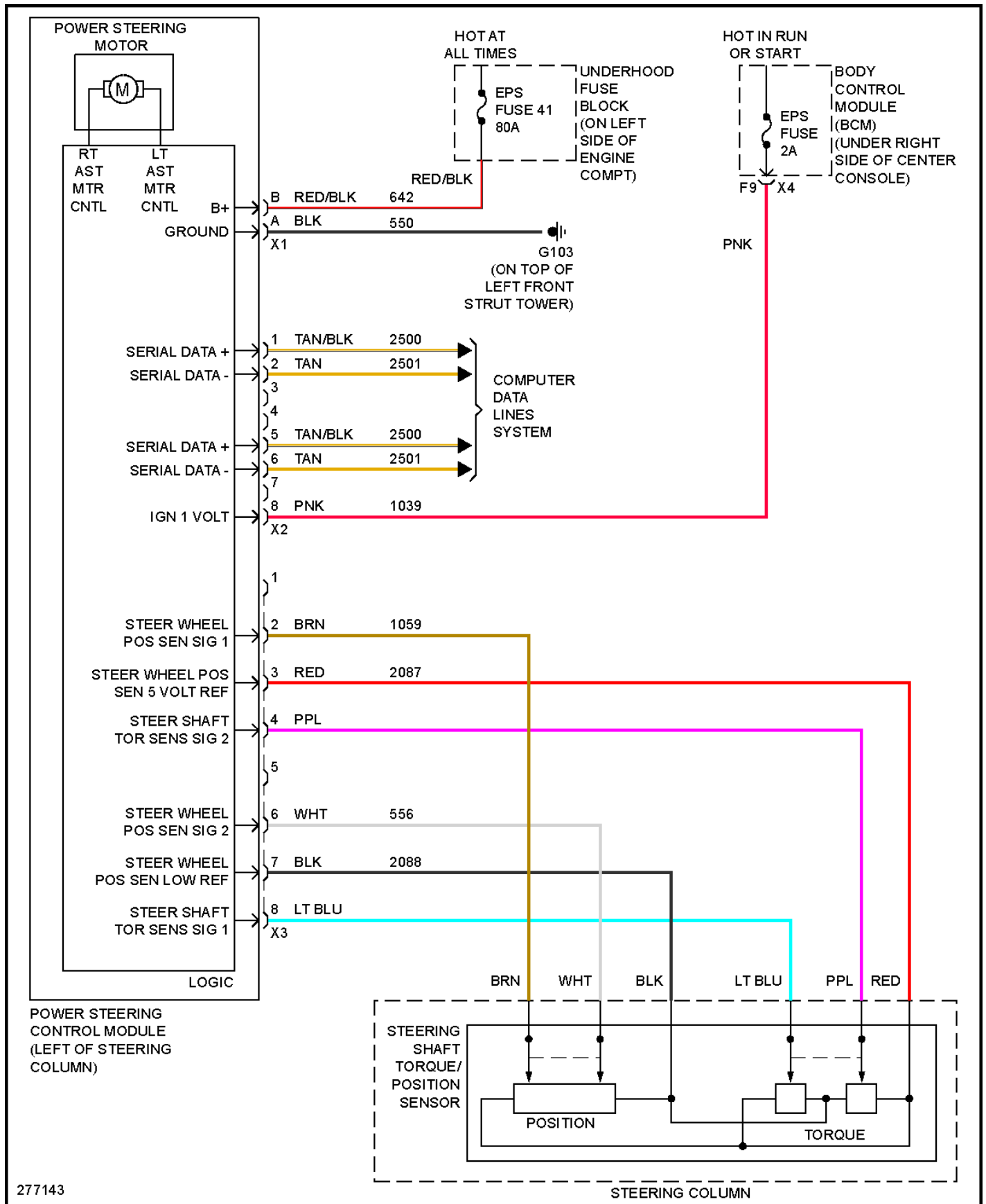


Fig. 19: Cruise Control Circuit



278172

Fig. 20: Defoggers Circuit



277143

Fig. 21: Electronic Power Steering Circuit

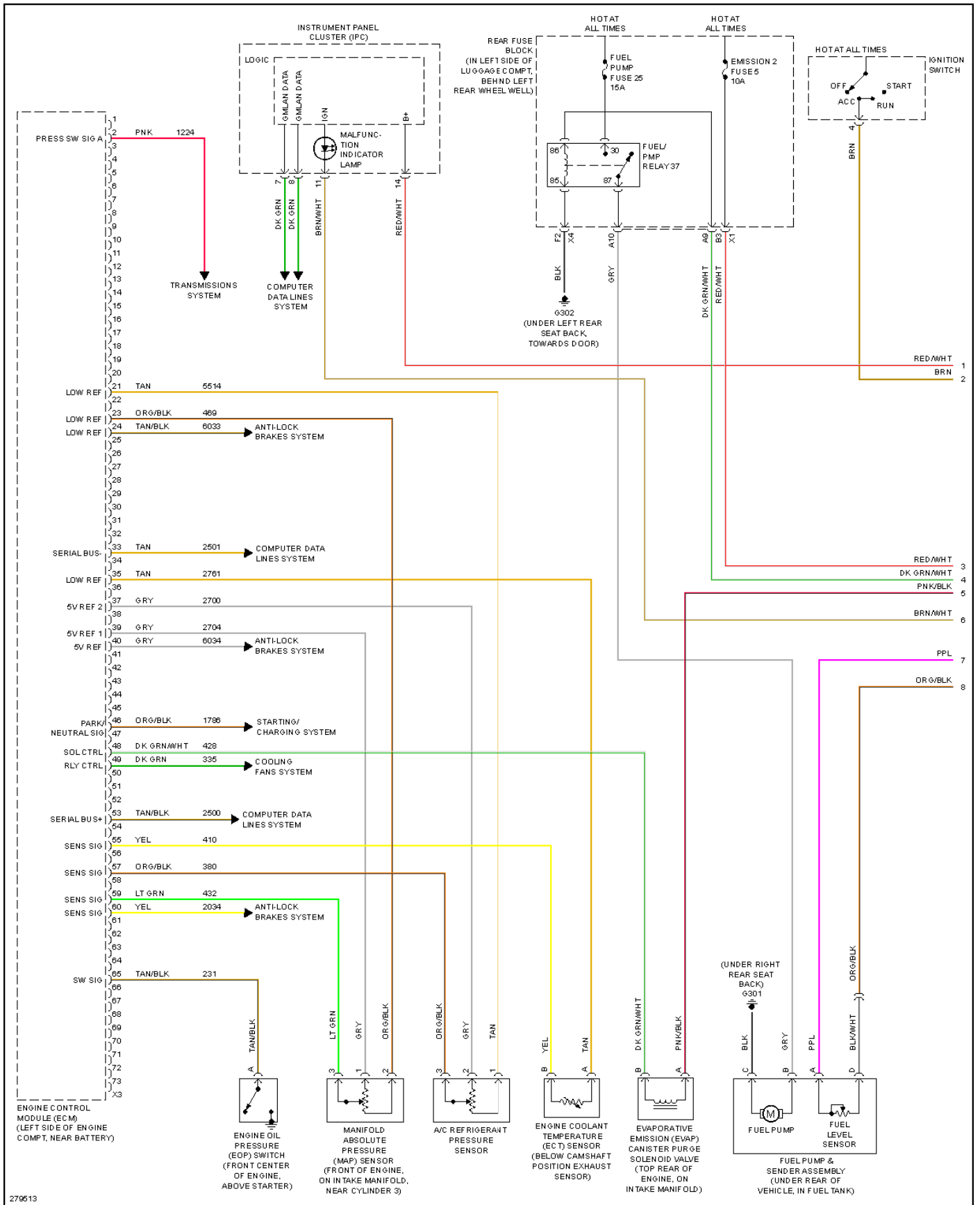


Fig. 22: 2.4L VIN 5, Engine Controls Circuit (1 of 4)

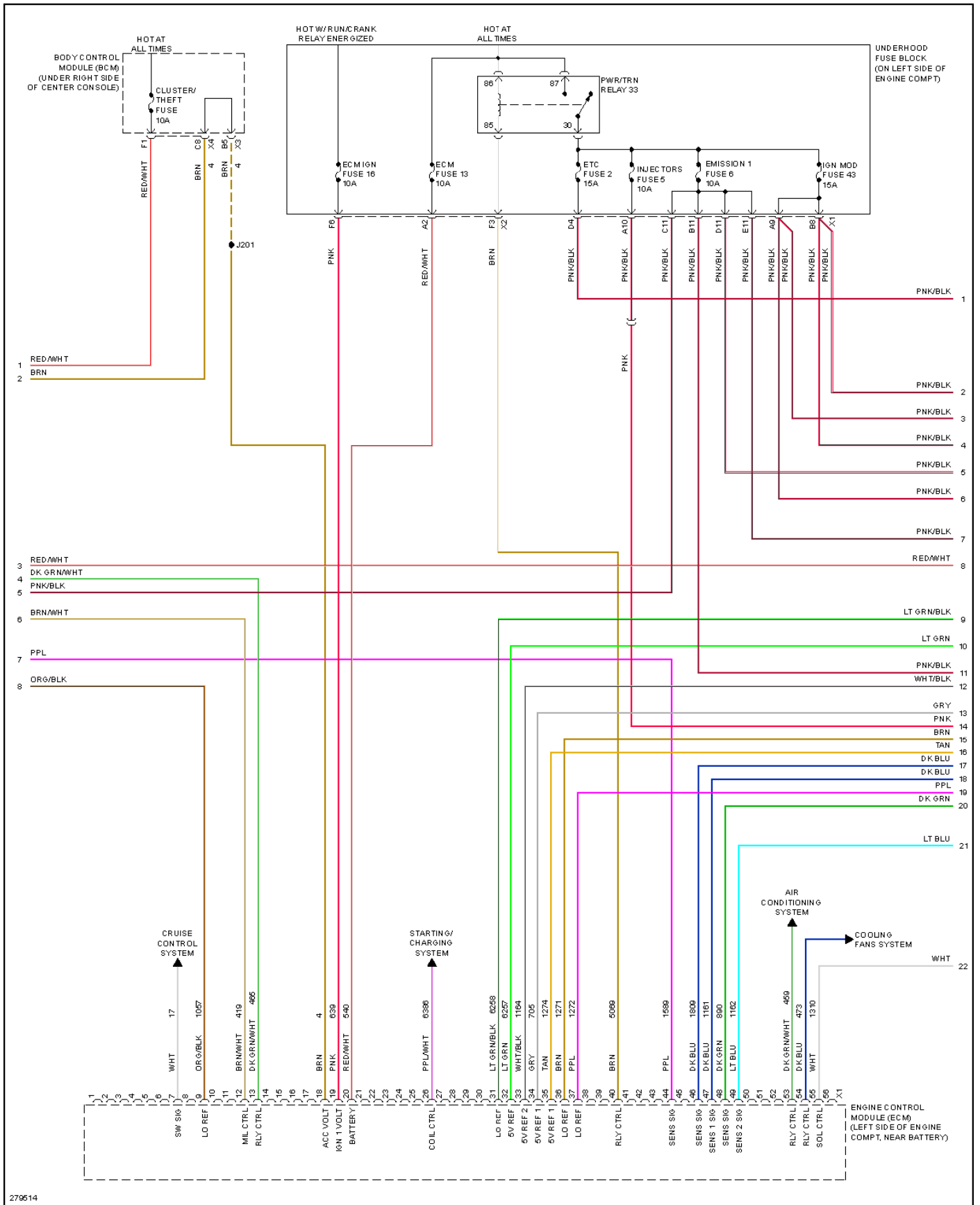


Fig. 23: 2.4L VIN 5, Engine Controls Circuit (2 of 4)

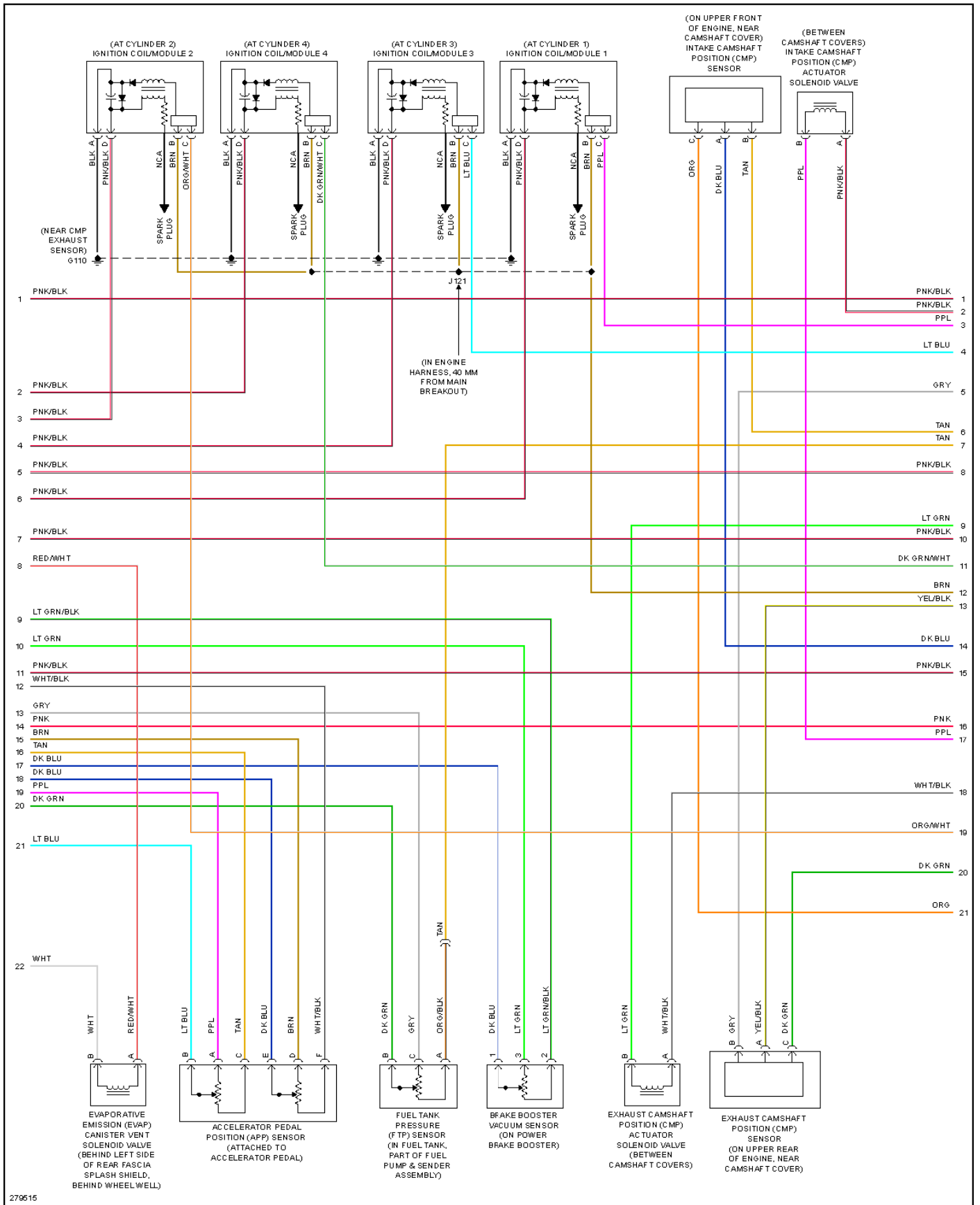


Fig. 24: 2.4L VIN 5, Engine Controls Circuit (3 of 4)

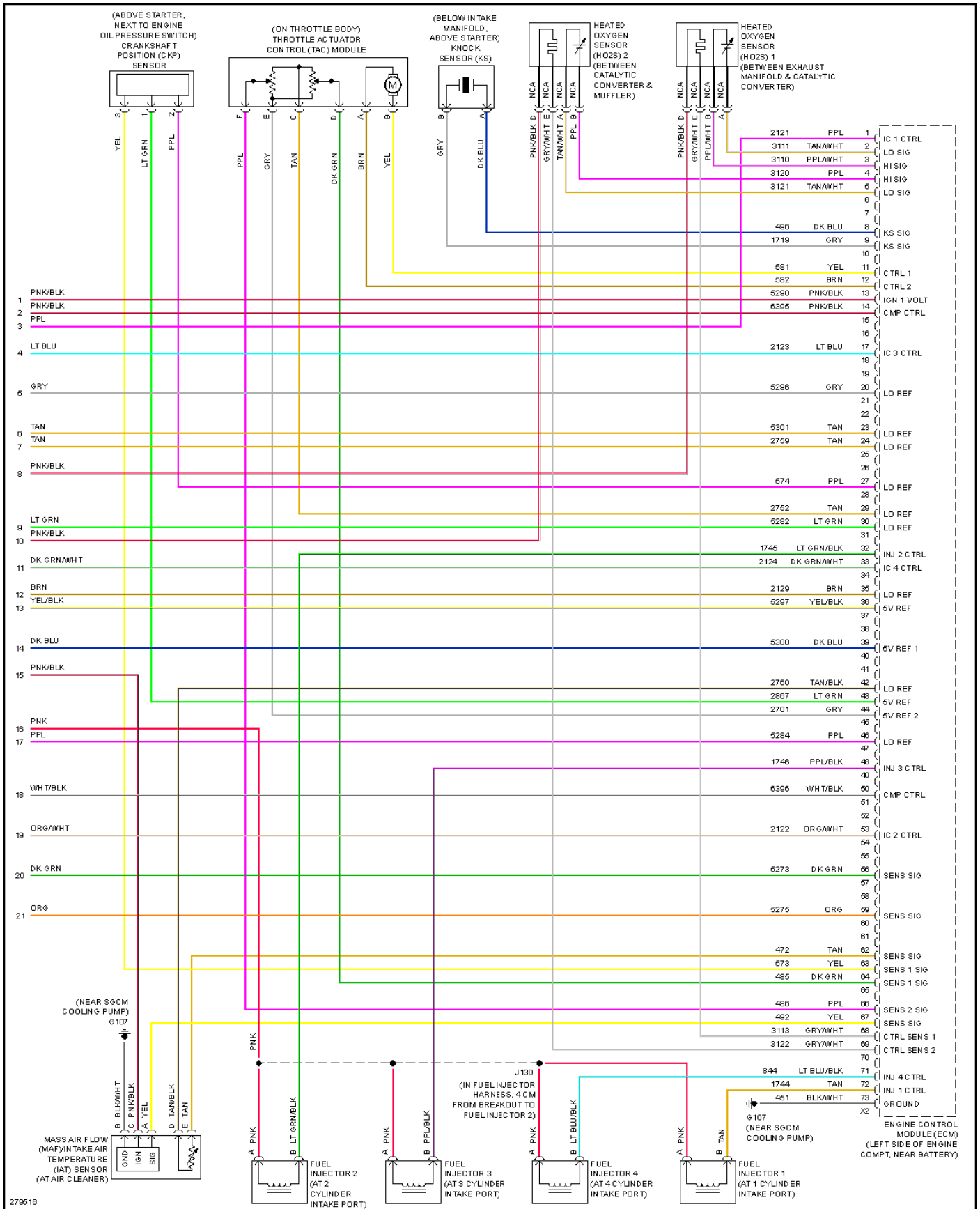


Fig. 25: 2.4L VIN 5, Engine Controls Circuit (4 of 4)

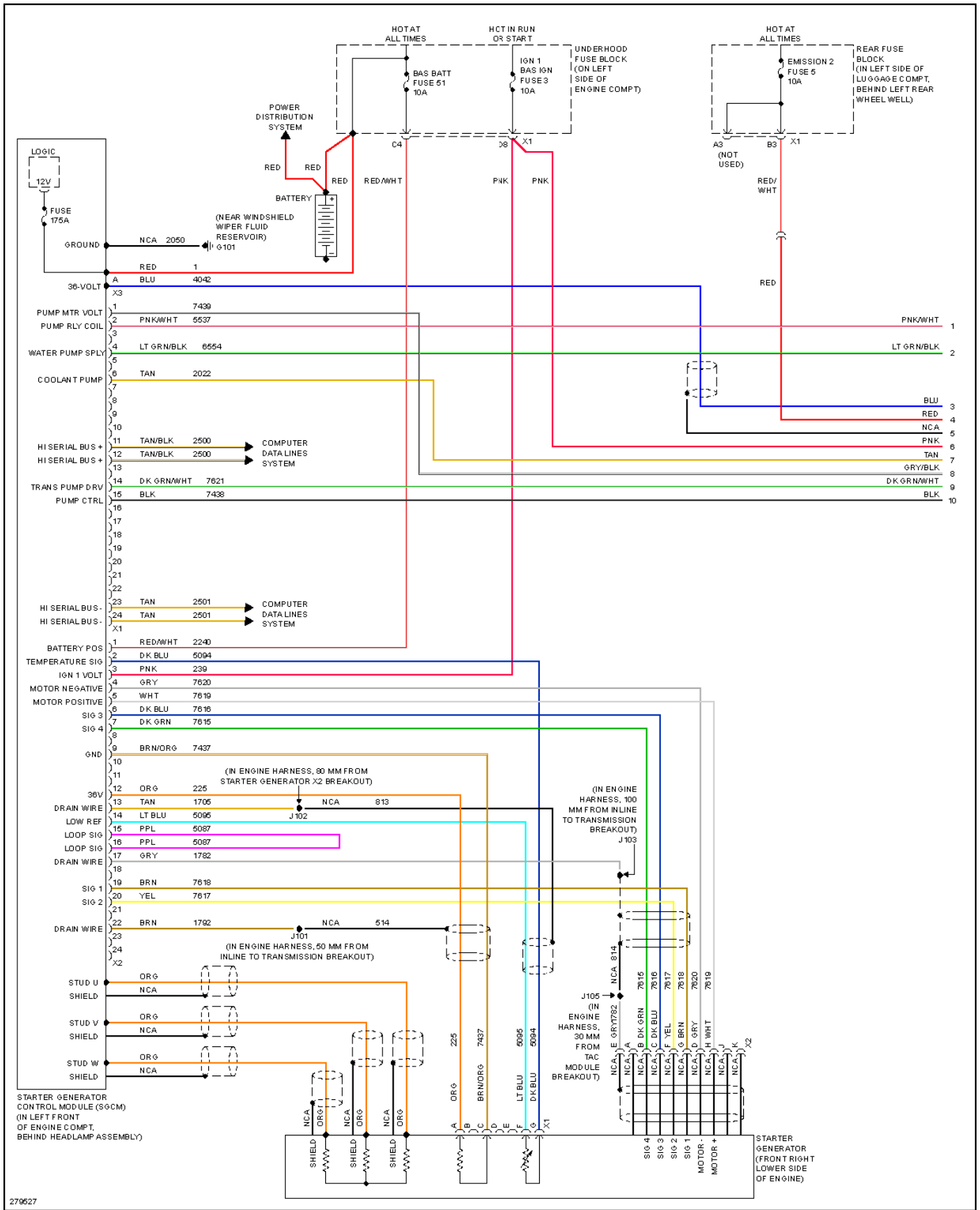


Fig. 26: 2.4L VIN 5, Hybrid System Circuit (1 of 3)

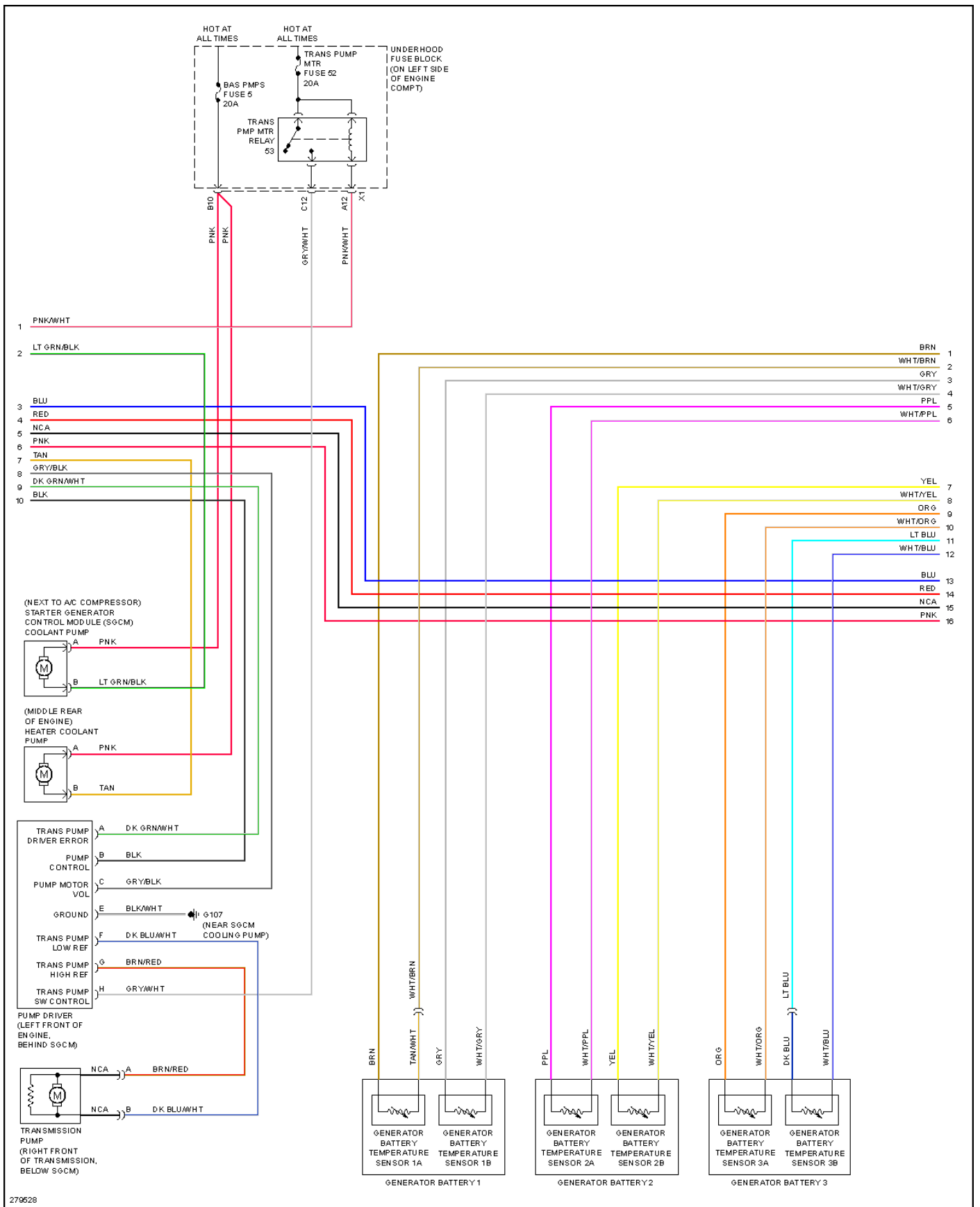


Fig. 27: 2.4L VIN 5, Hybrid System Circuit (2 of 3)

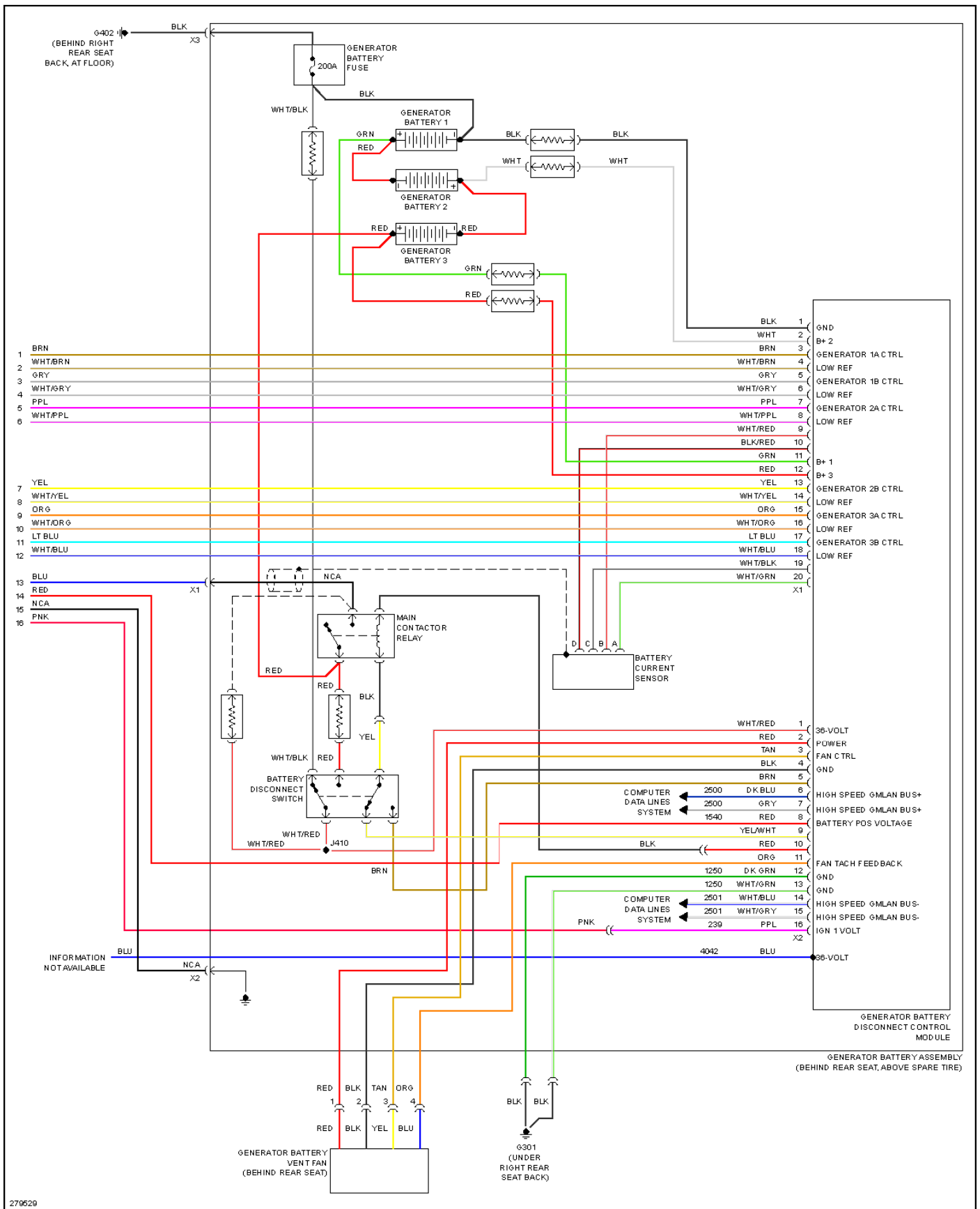


Fig. 28: 2.4L VIN 5, Hybrid System Circuit (3 of 3)

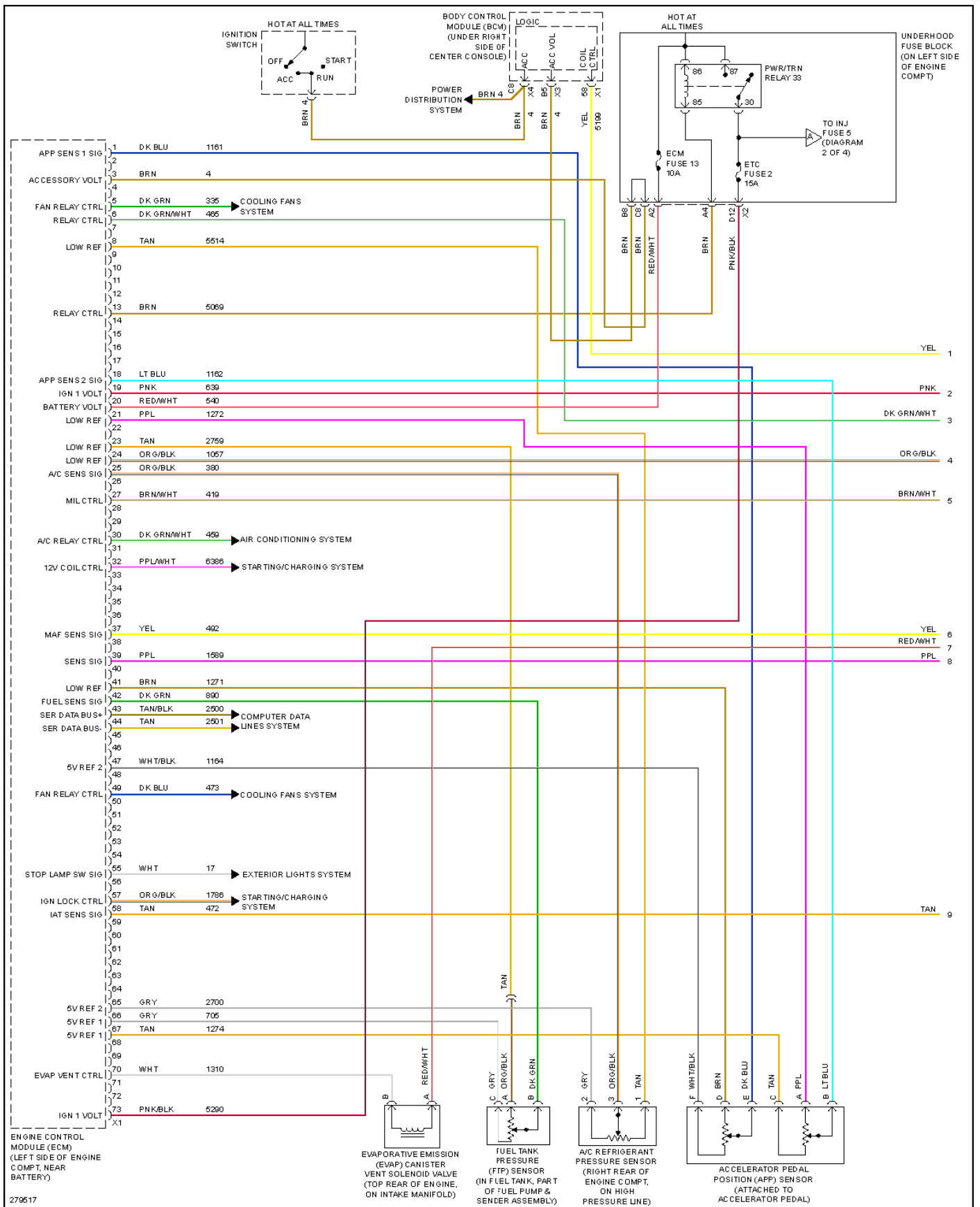


Fig. 29: 2.4L VIN B, Engine Performance Circuit (1 of 4)

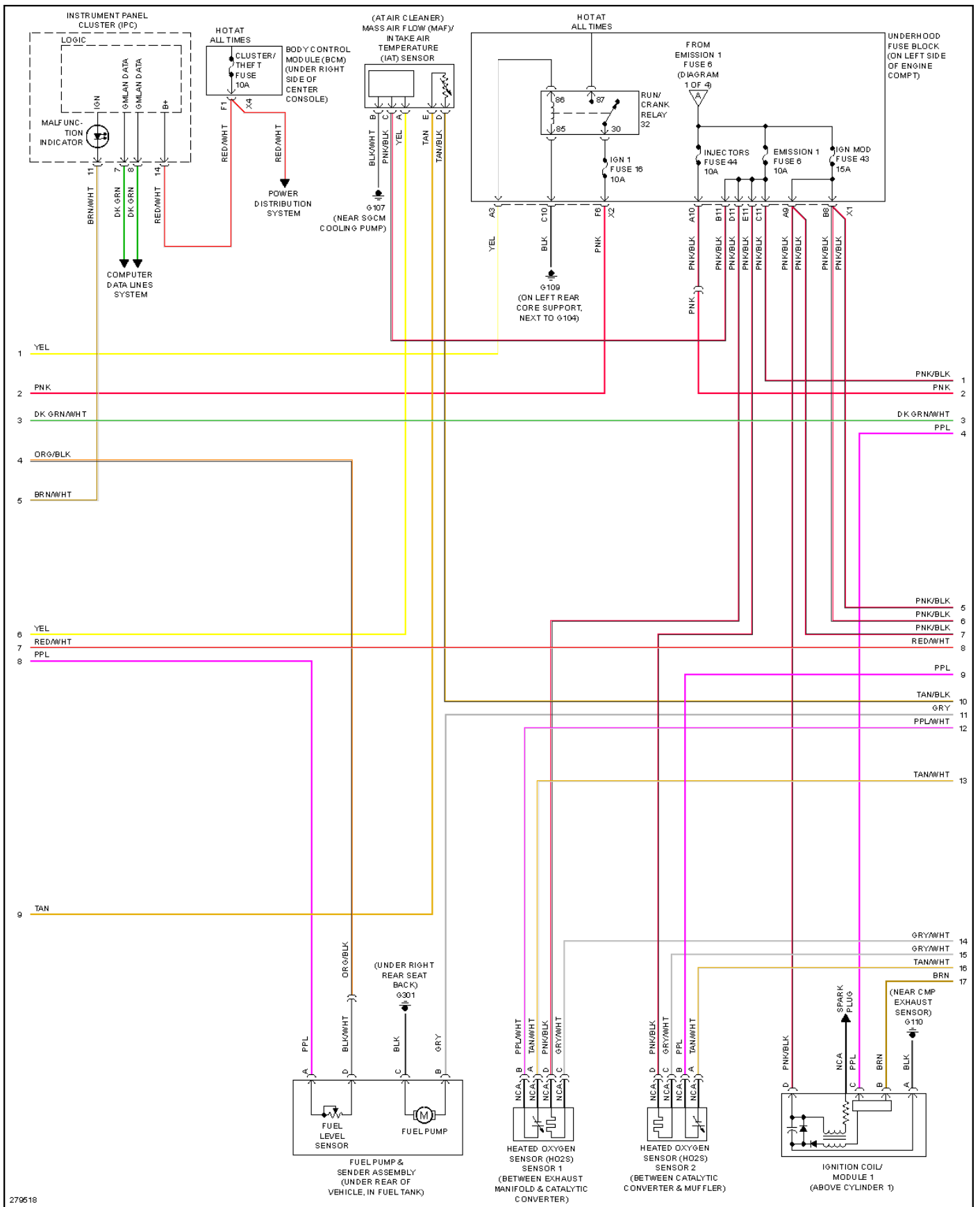


Fig. 30: 2.4L VIN B, Engine Performance Circuit (2 of 4)

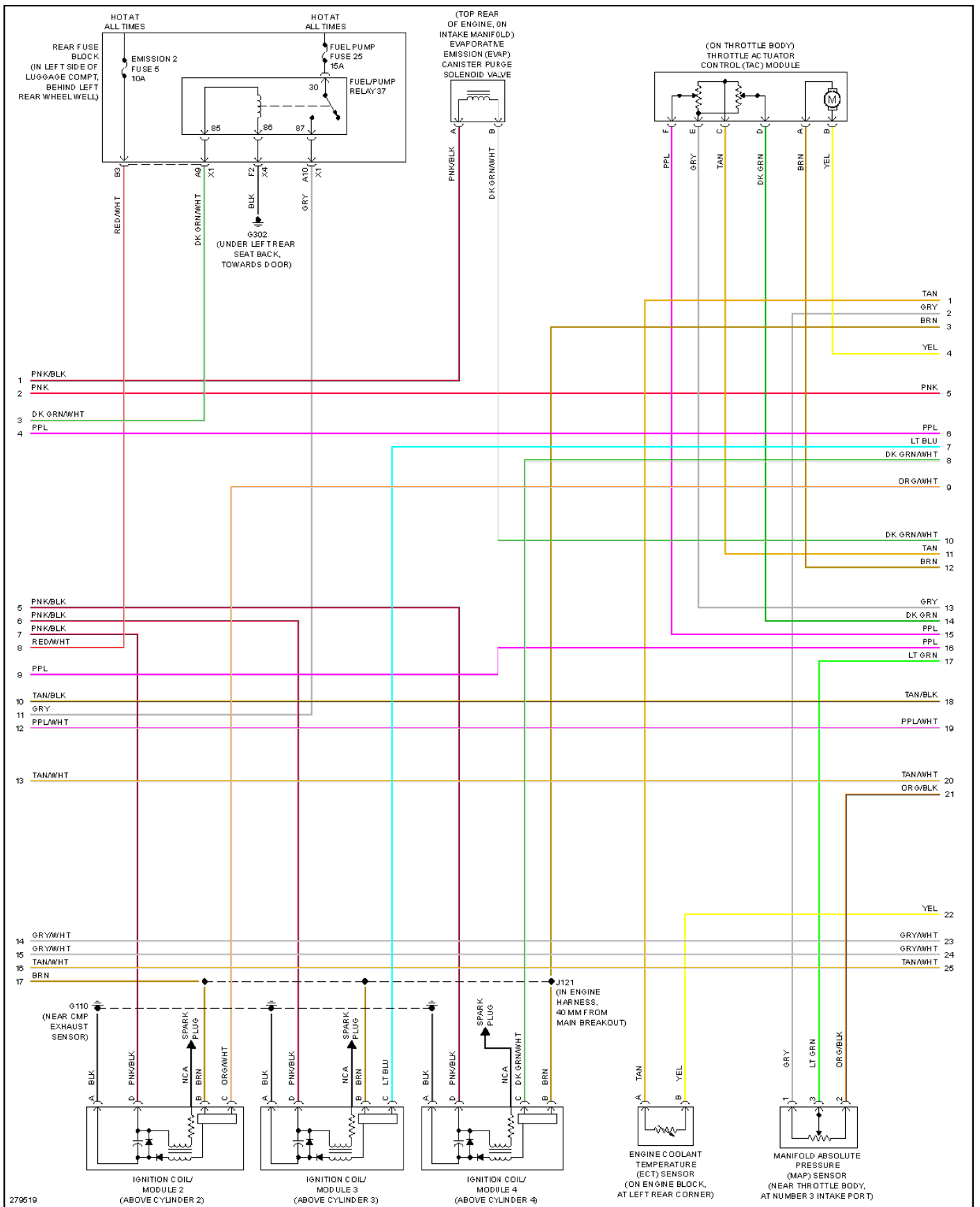


Fig. 31: 2.4L VIN B, Engine Performance Circuit (3 of 4)

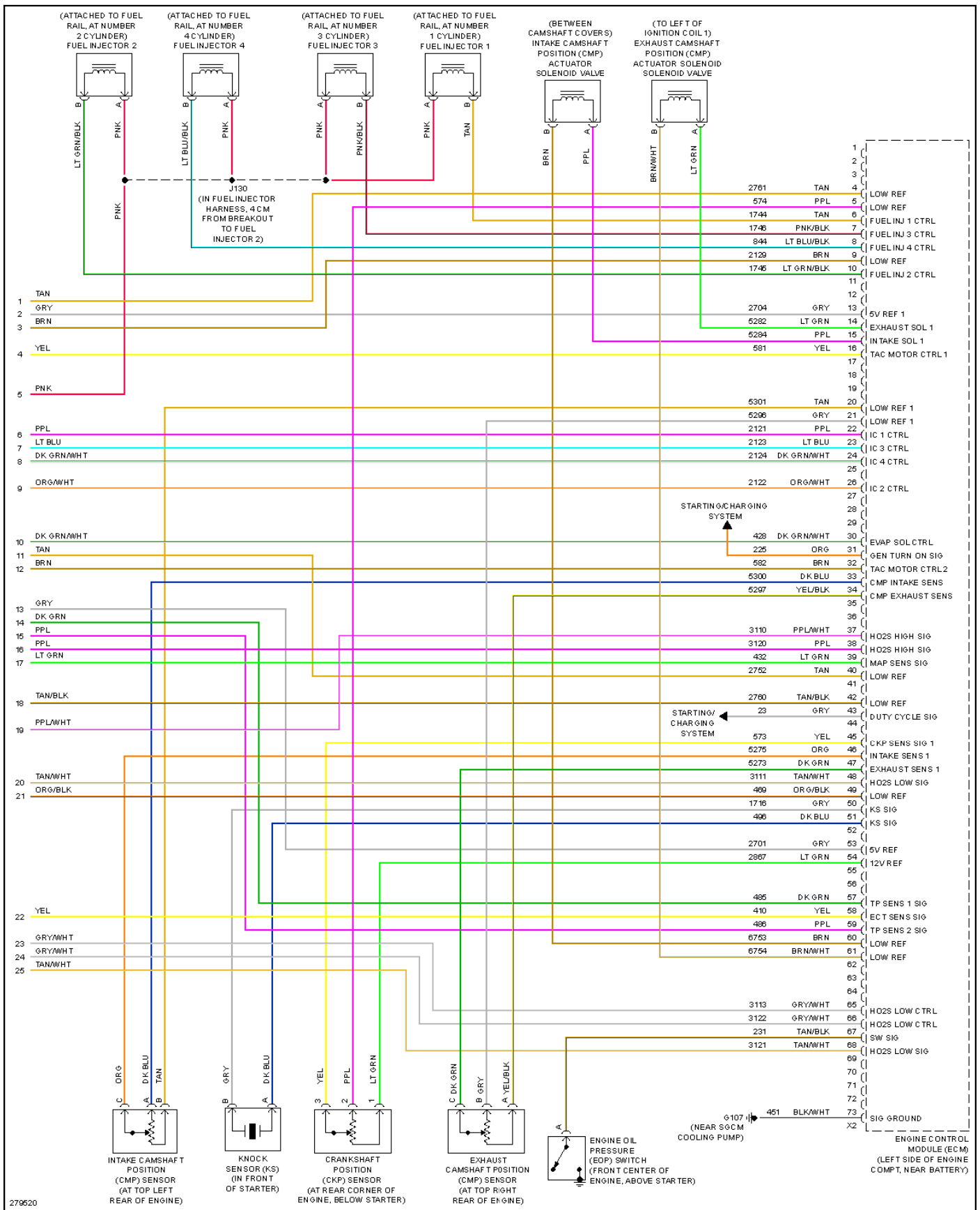


Fig. 32: 2.4L VIN B, Engine Performance Circuit (4 of 4)

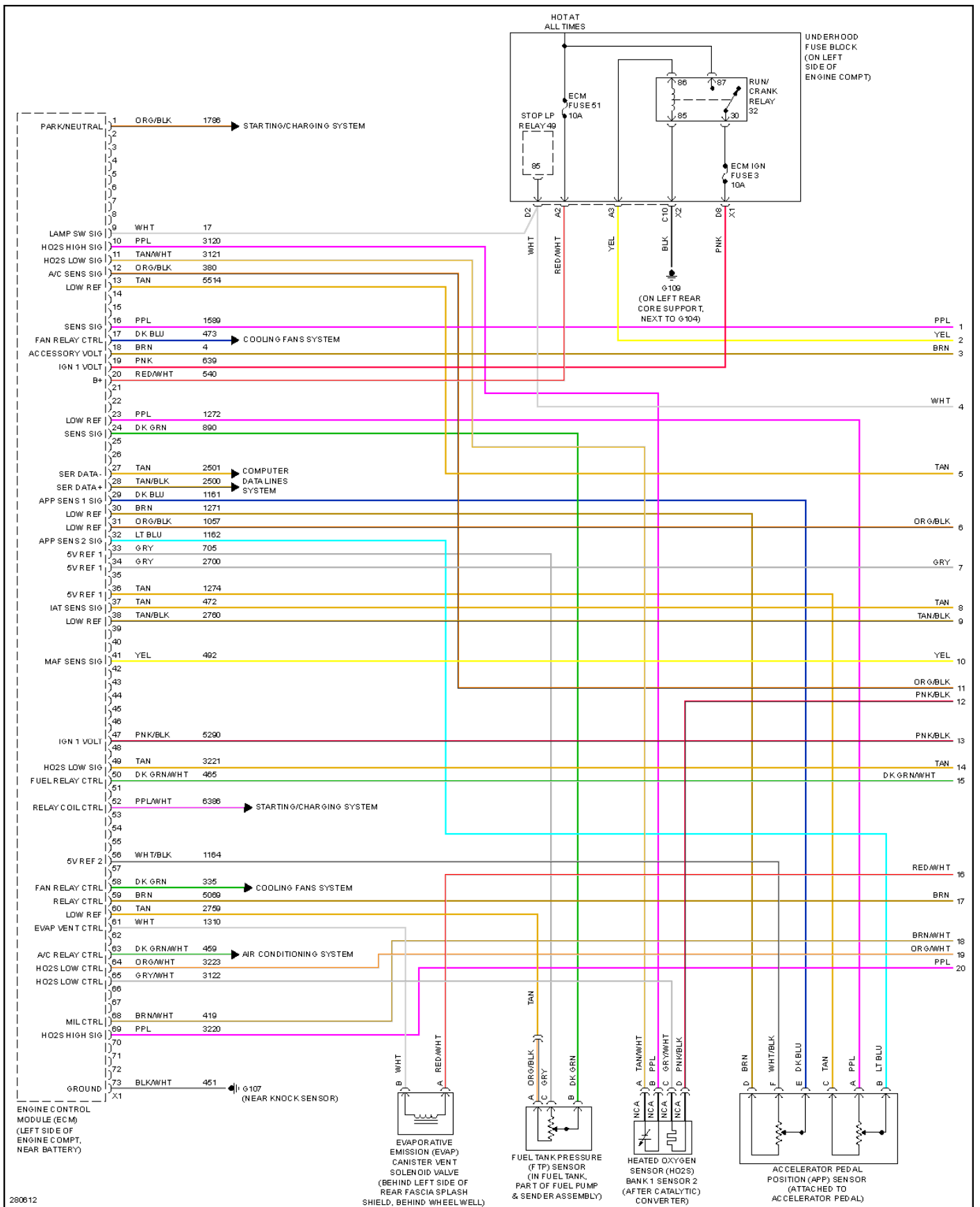


Fig. 33: 3.5L VIN N, Engine Performance Circuit (1 of 4)

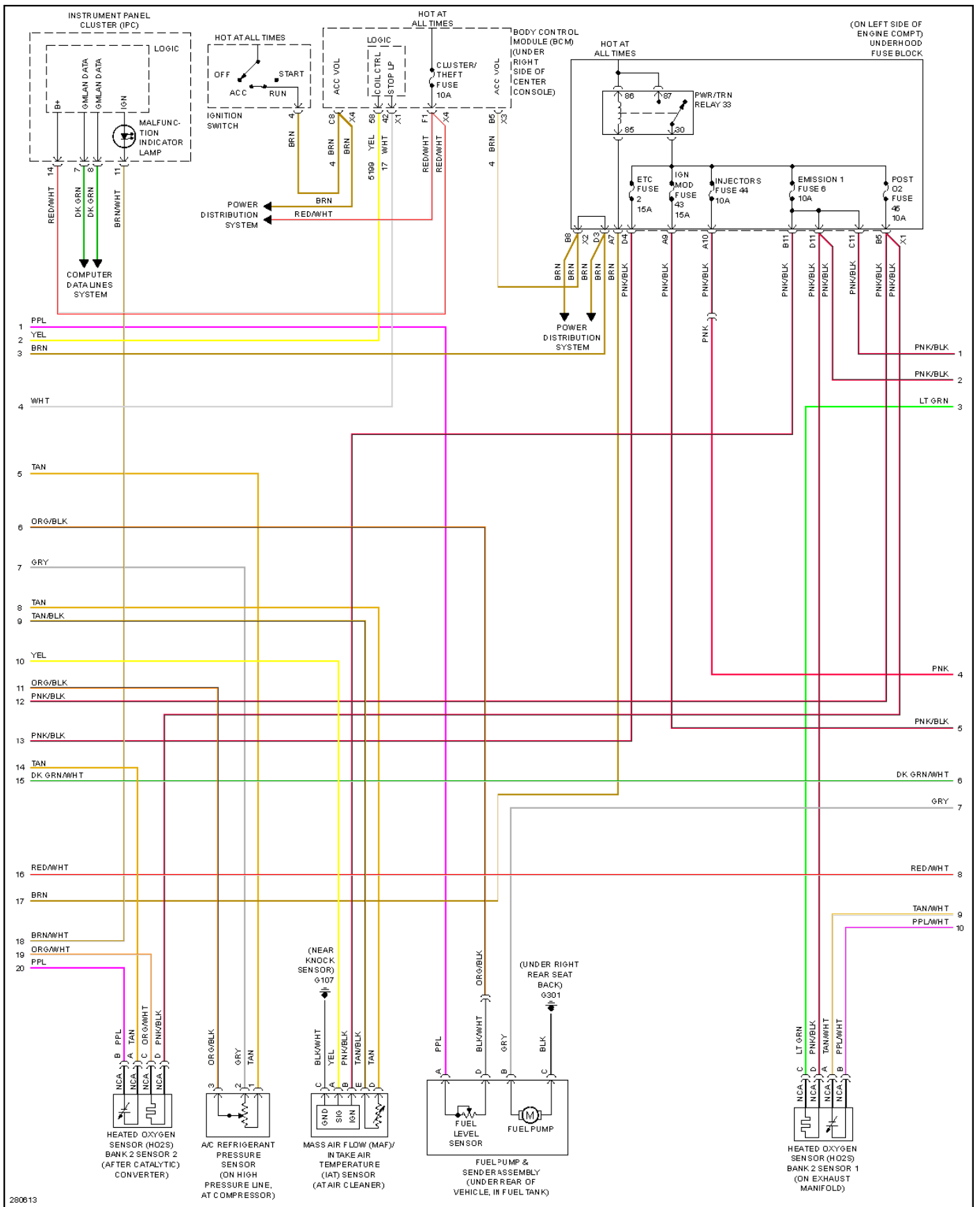


Fig. 34: 3.5L VIN N, Engine Performance Circuit (2 of 4)

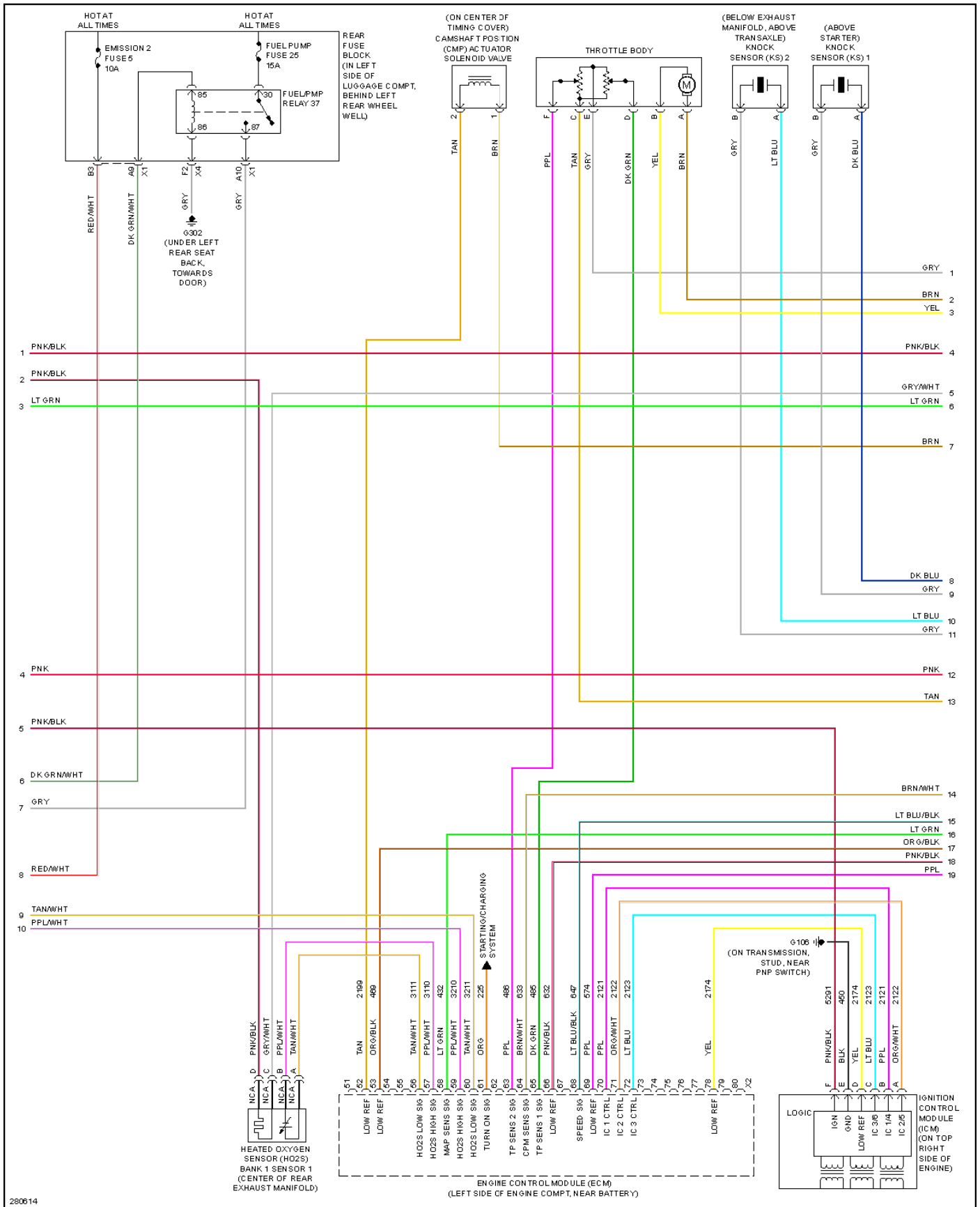


Fig. 35: 3.5L VIN N, Engine Performance Circuit (3 of 4)

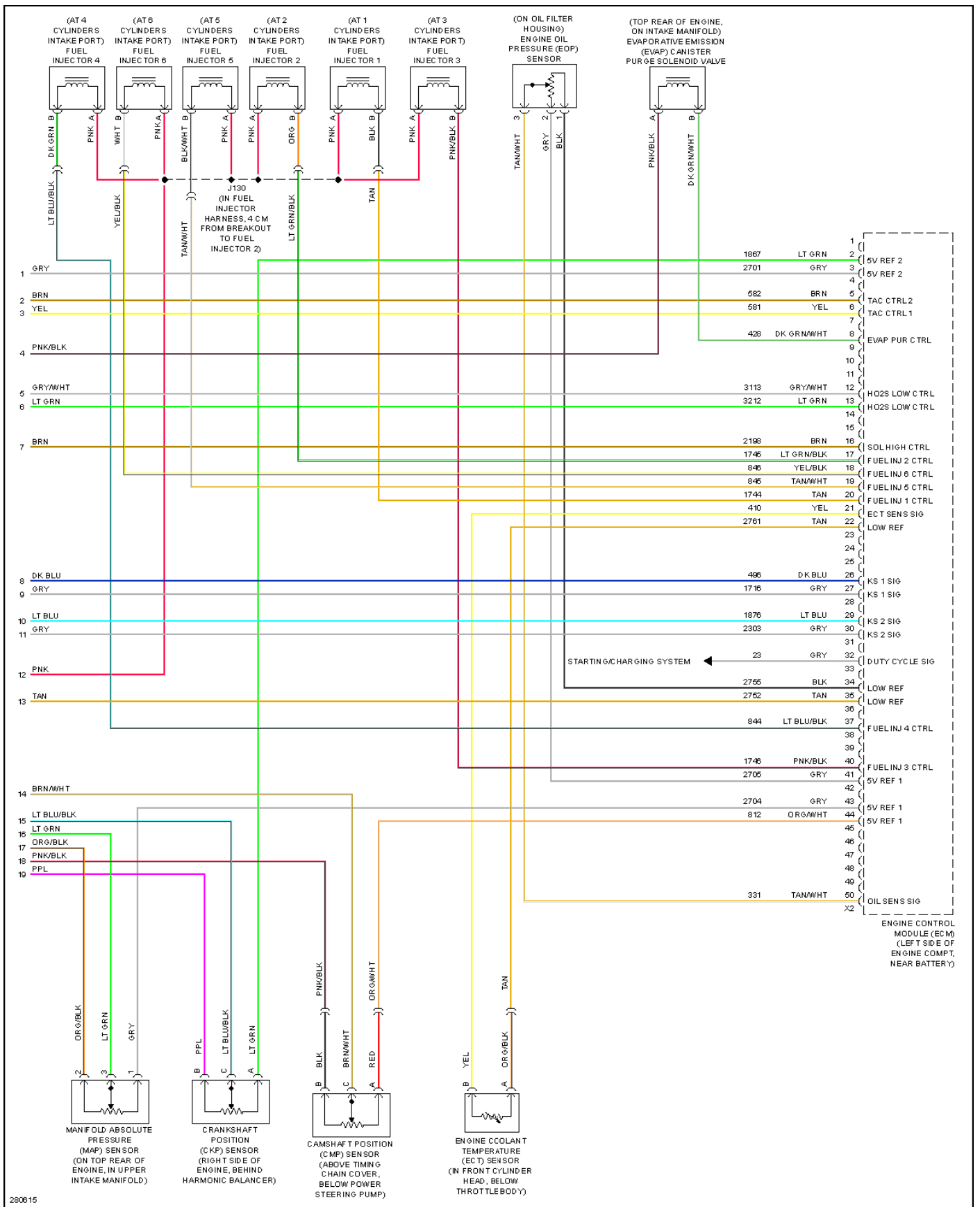
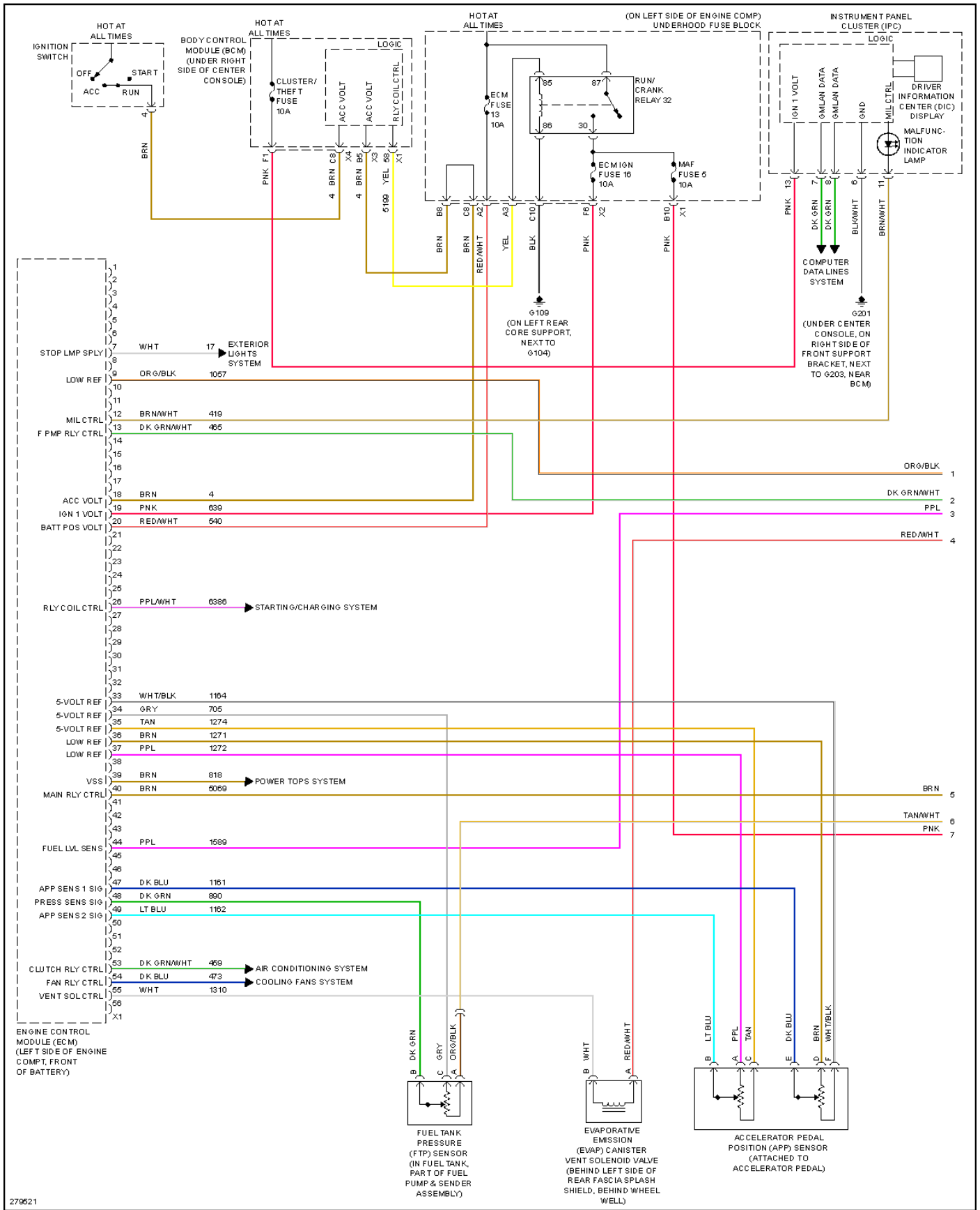


Fig. 36: 3.5L VIN N, Engine Performance Circuit (4 of 4)



279521

Fig. 37: 3.6L VIN 7, Engine Performance Circuit (1 of 6)

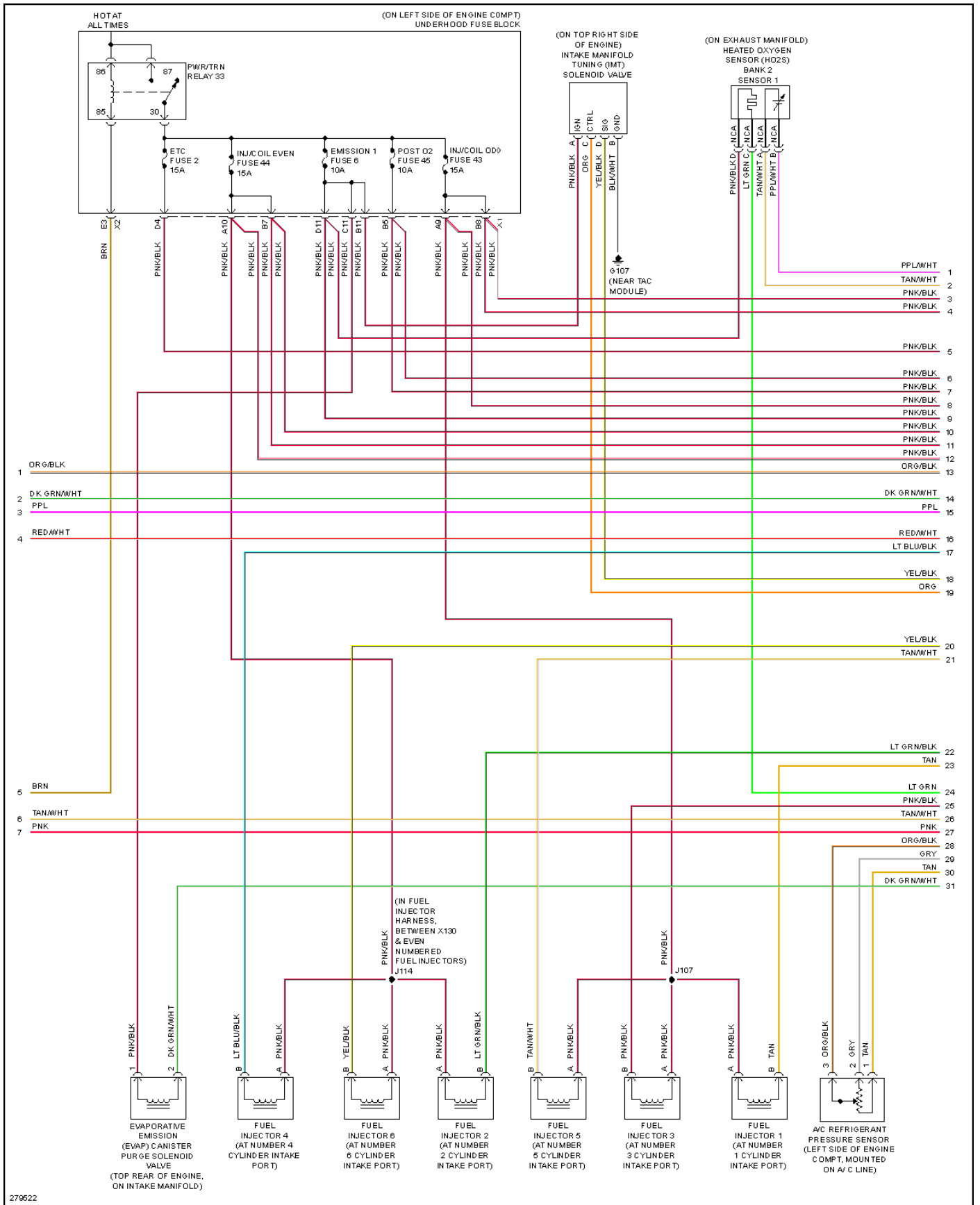


Fig. 38: 3.6L VIN 7, Engine Performance Circuit (2 of 6)

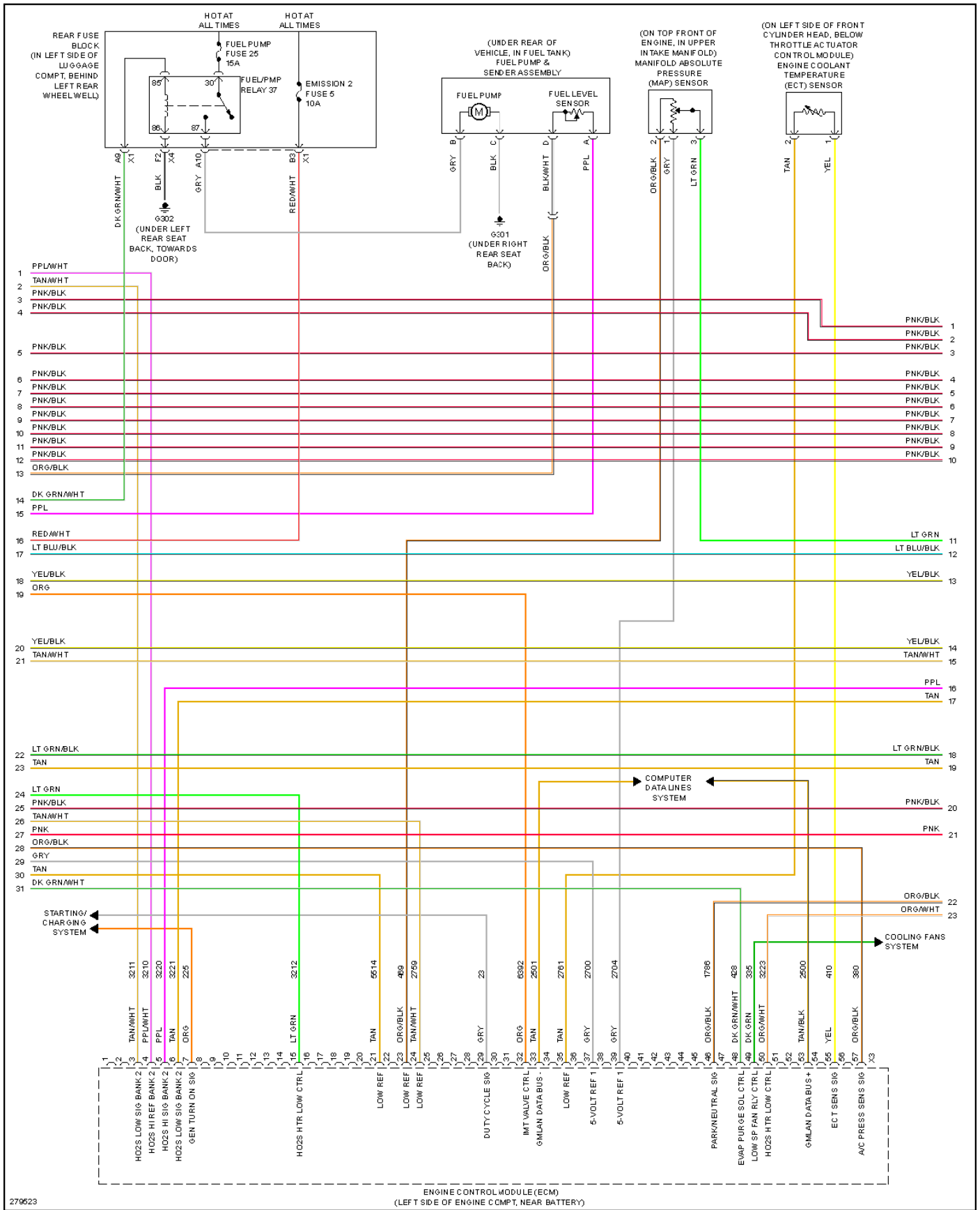


Fig. 39: 3.6L VIN 7, Engine Performance Circuit (3 of 6)

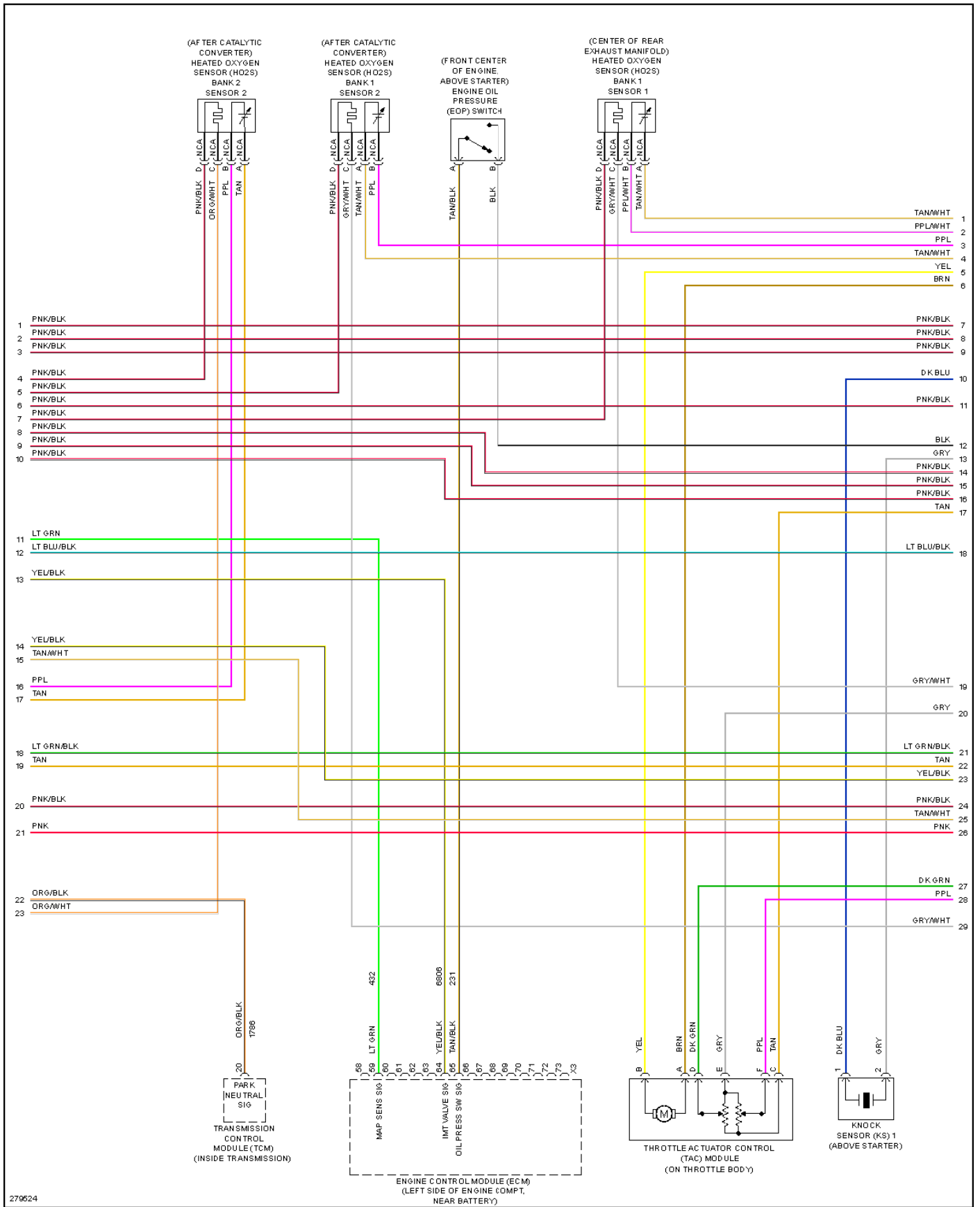


Fig. 40: 3.6L VIN 7, Engine Performance Circuit (4 of 6)

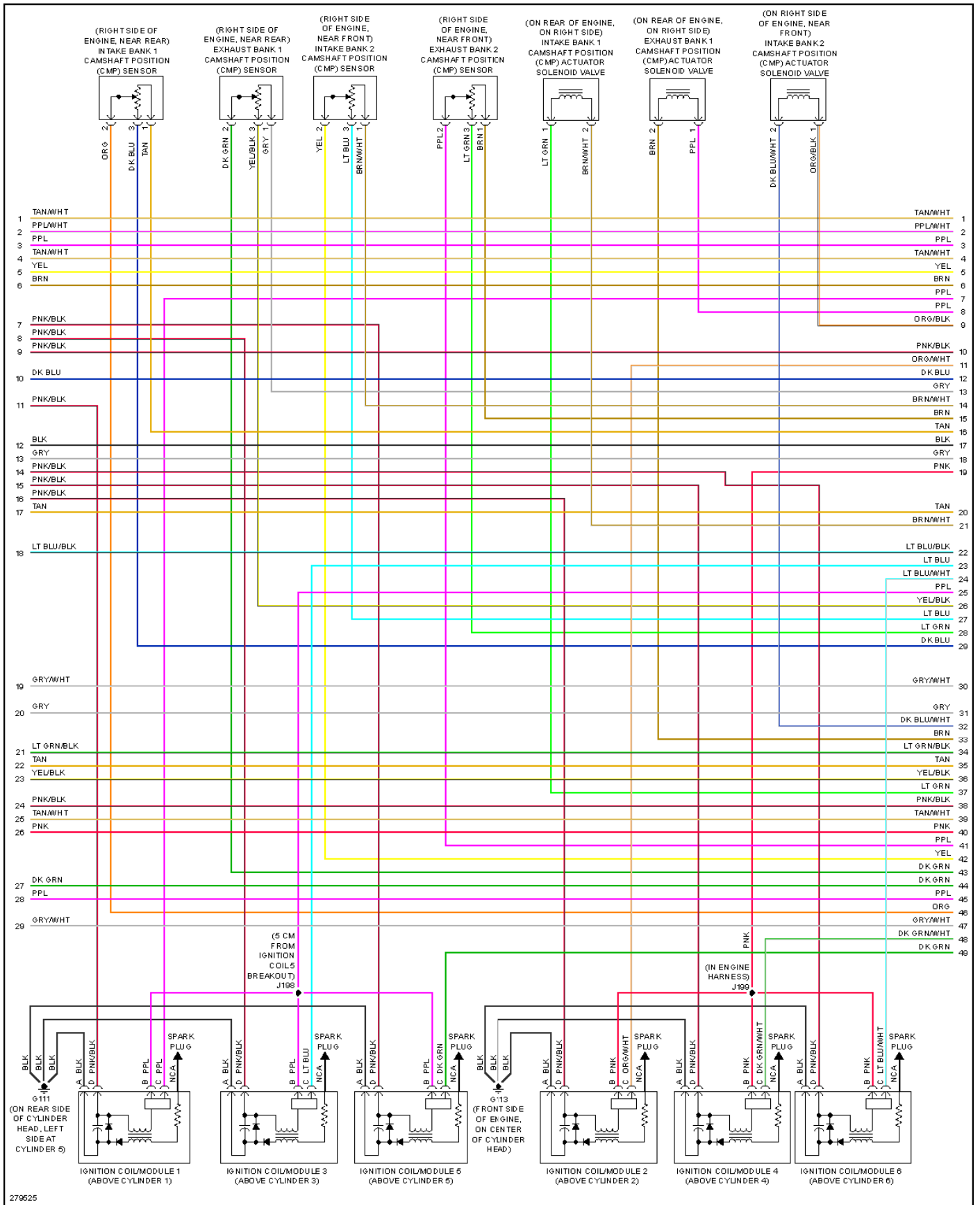


Fig. 41: 3.6L VIN 7, Engine Performance Circuit (5 of 6)

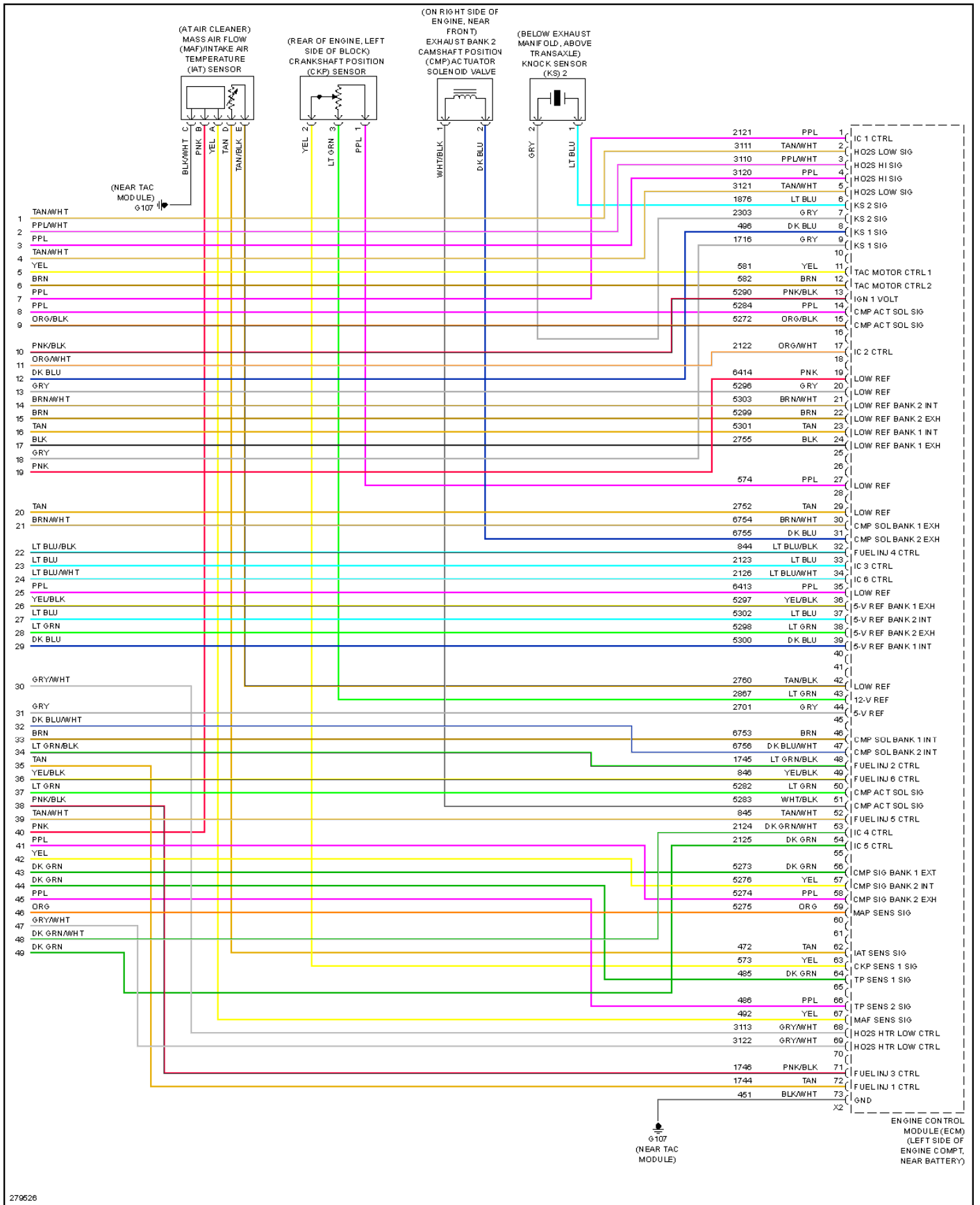


Fig. 42: 3.6L VIN 7, Engine Performance Circuit (6 of 6)

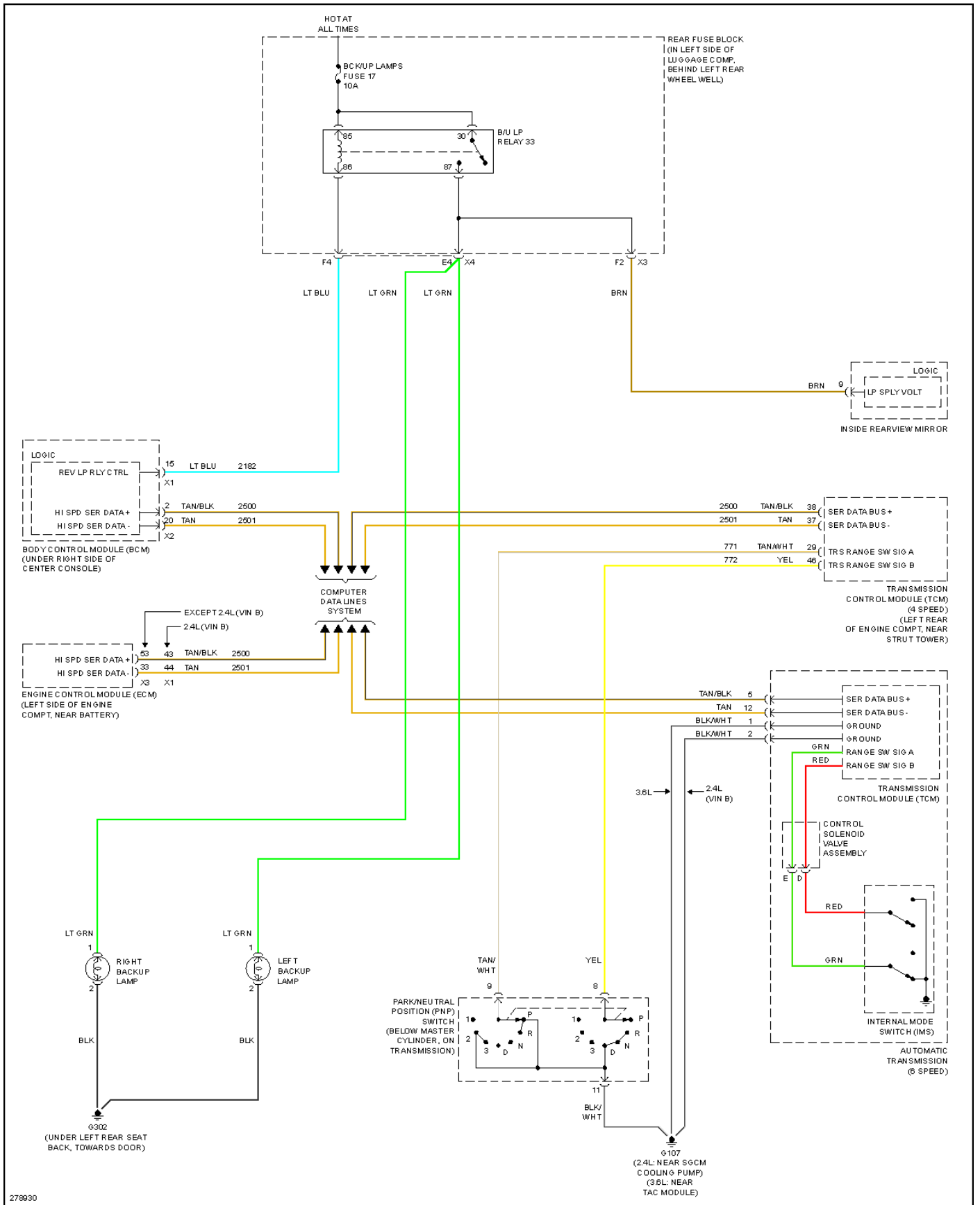


Fig. 43: Backup Lamps Circuit

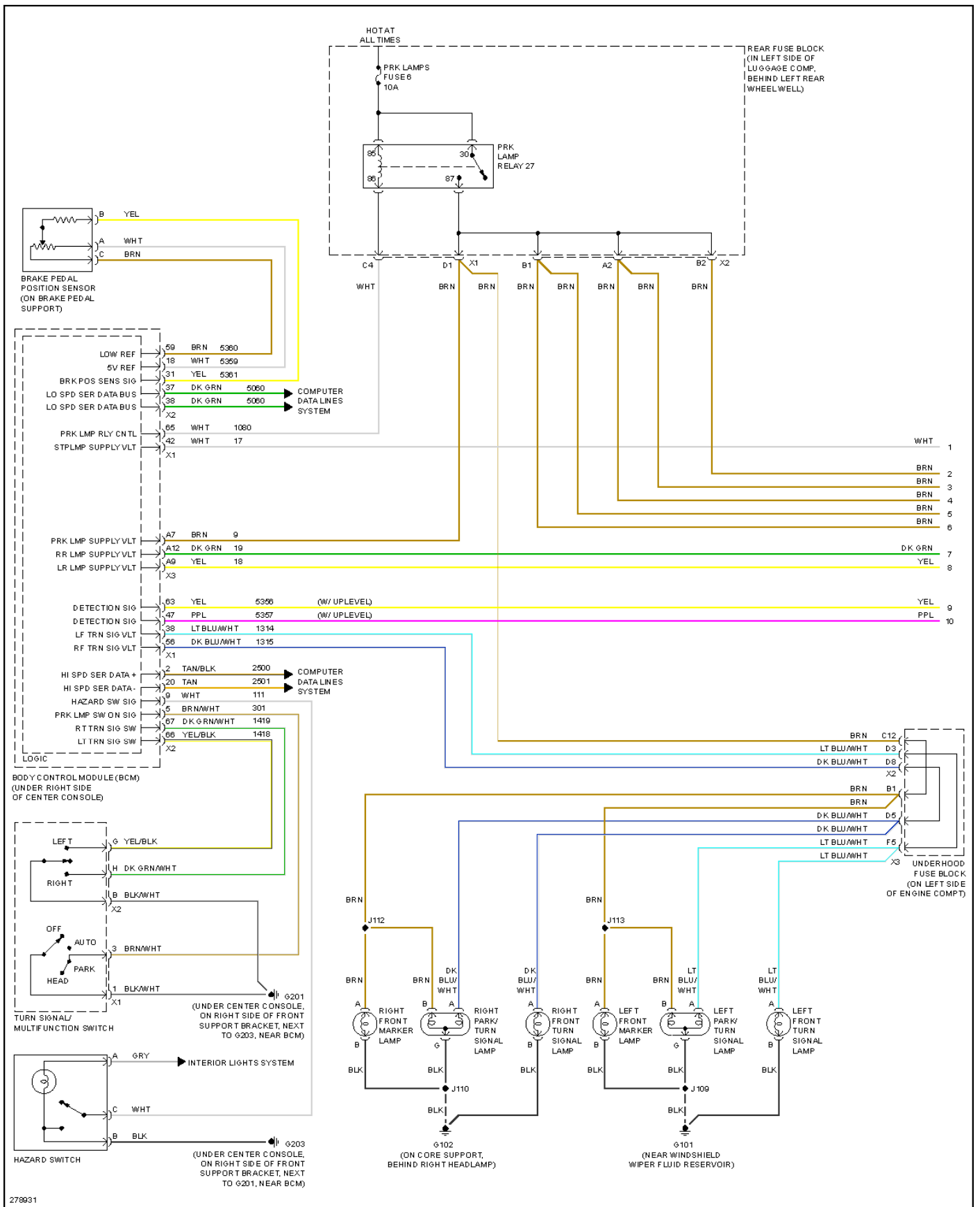


Fig. 44: Exterior Lamps Circuit (1 of 2)

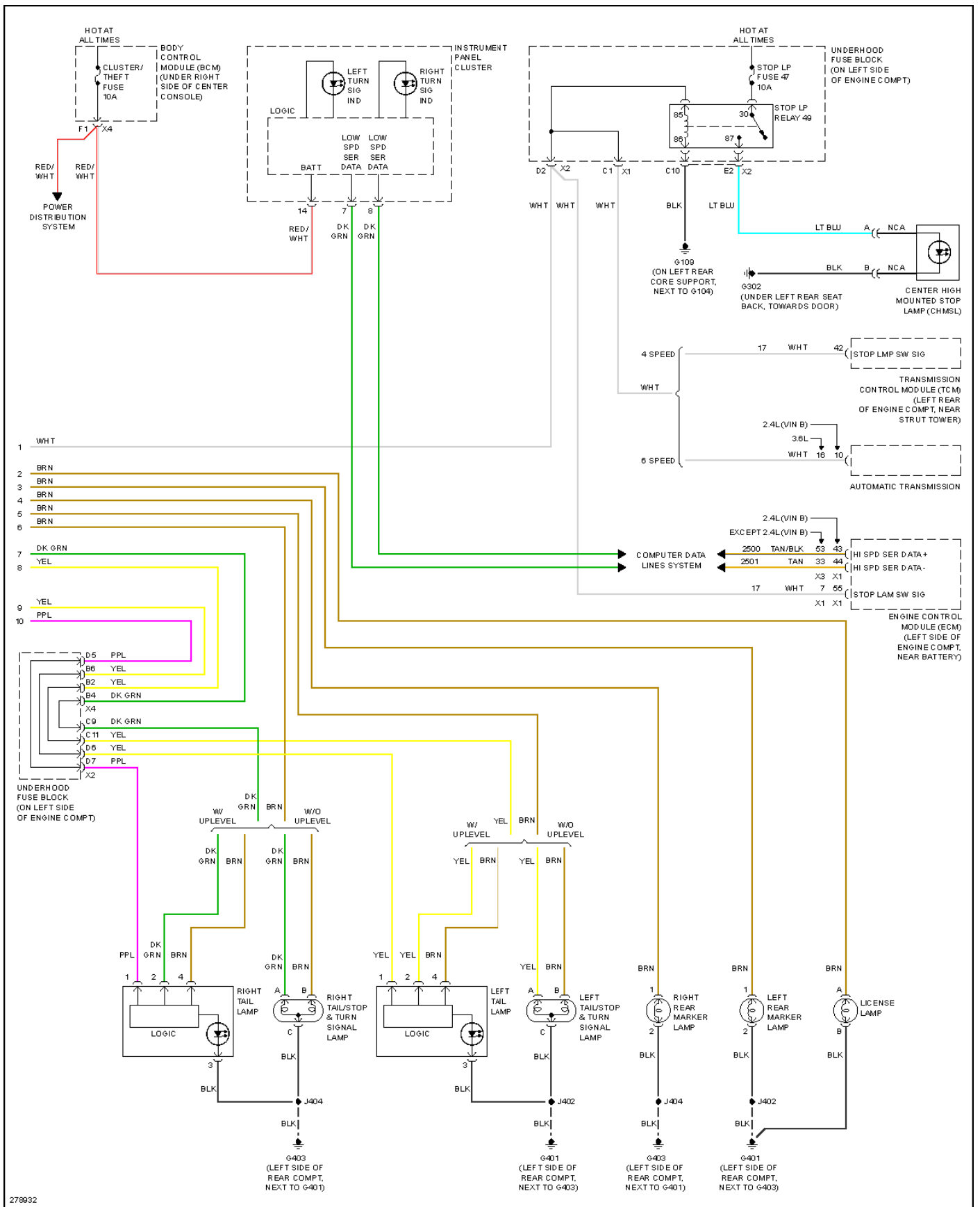
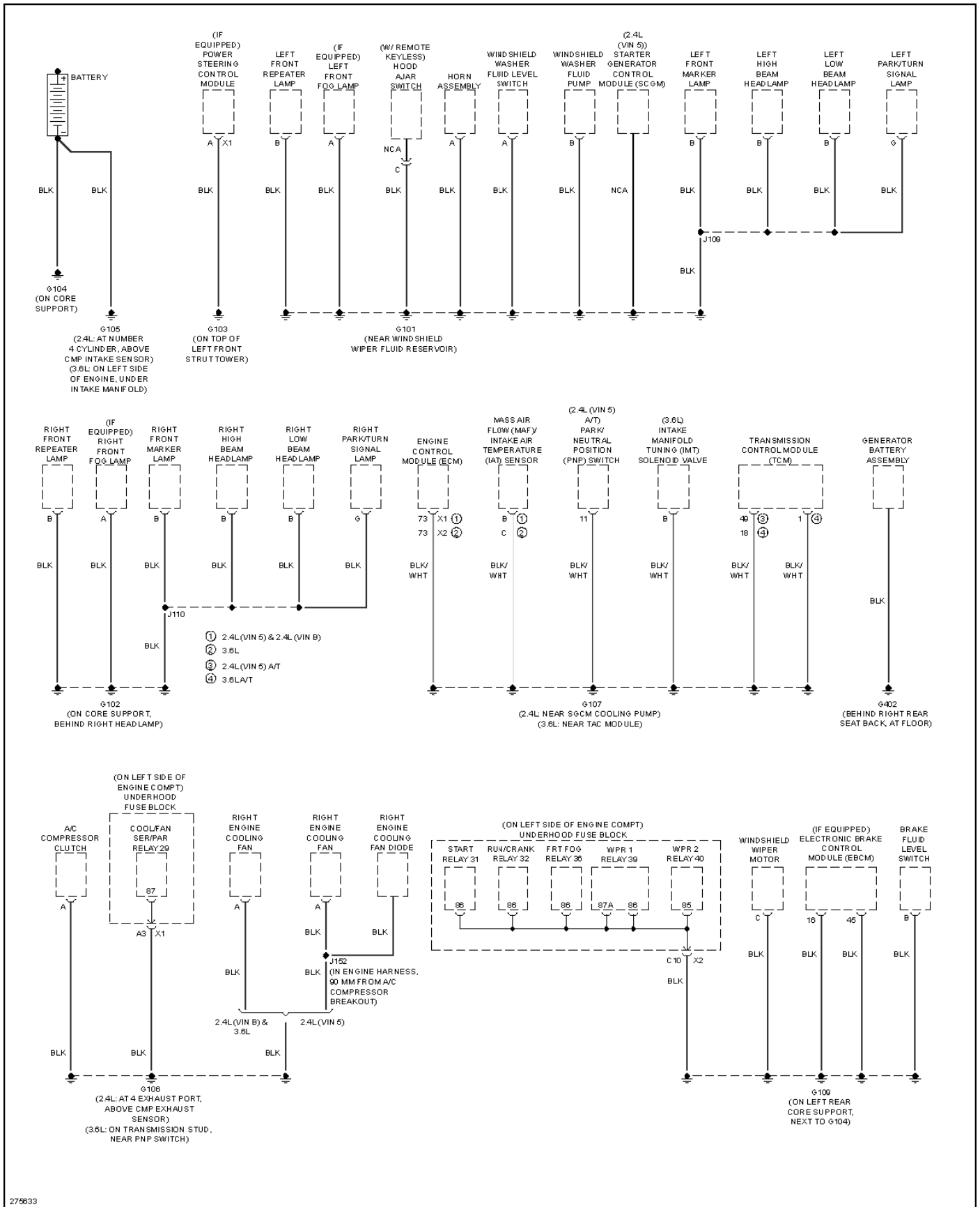


Fig. 45: Exterior Lamps Circuit (2 of 2)



279633

Fig. 46: Ground Distribution Circuit (1 of 3)

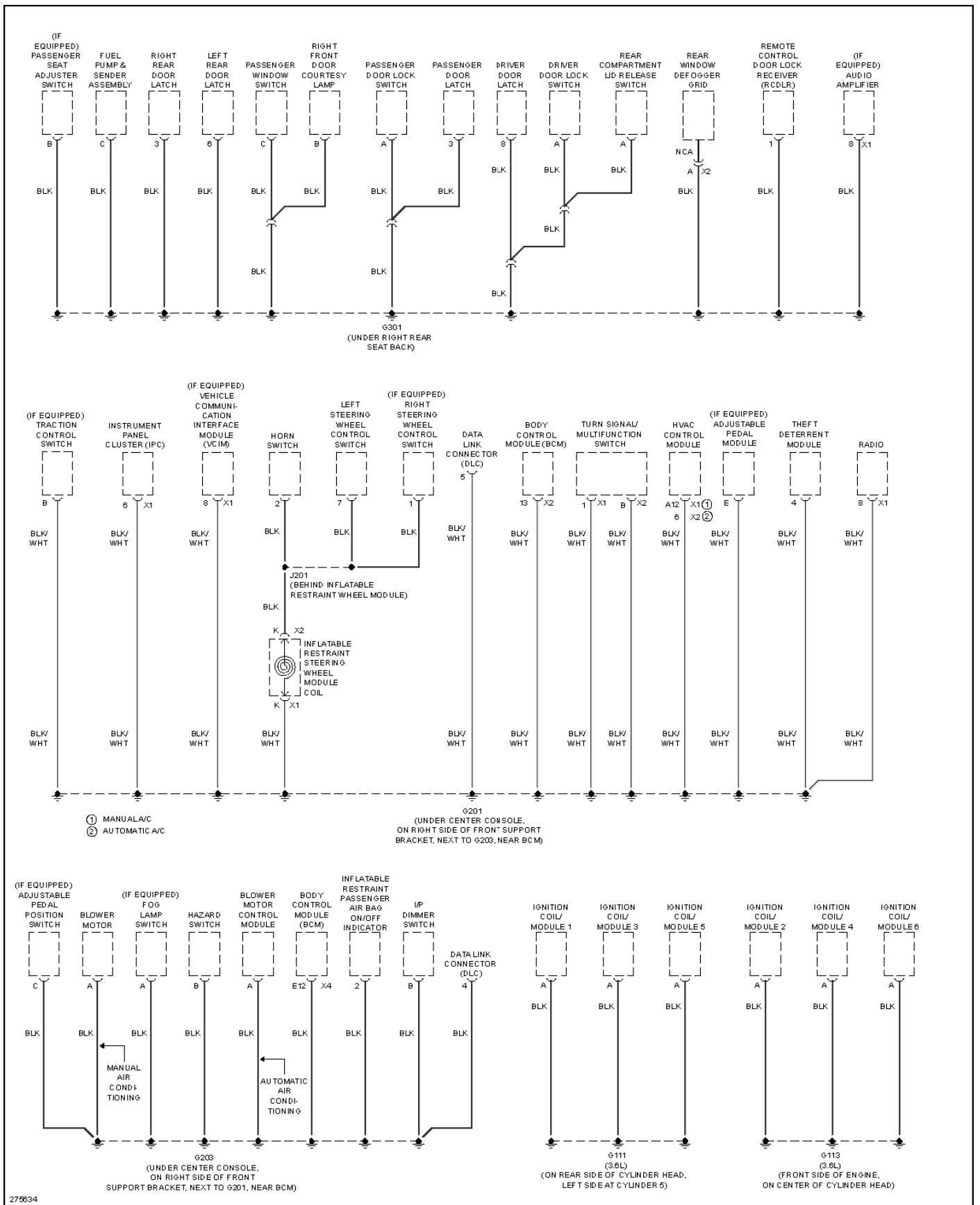


Fig. 47: Ground Distribution Circuit (2 of 3)

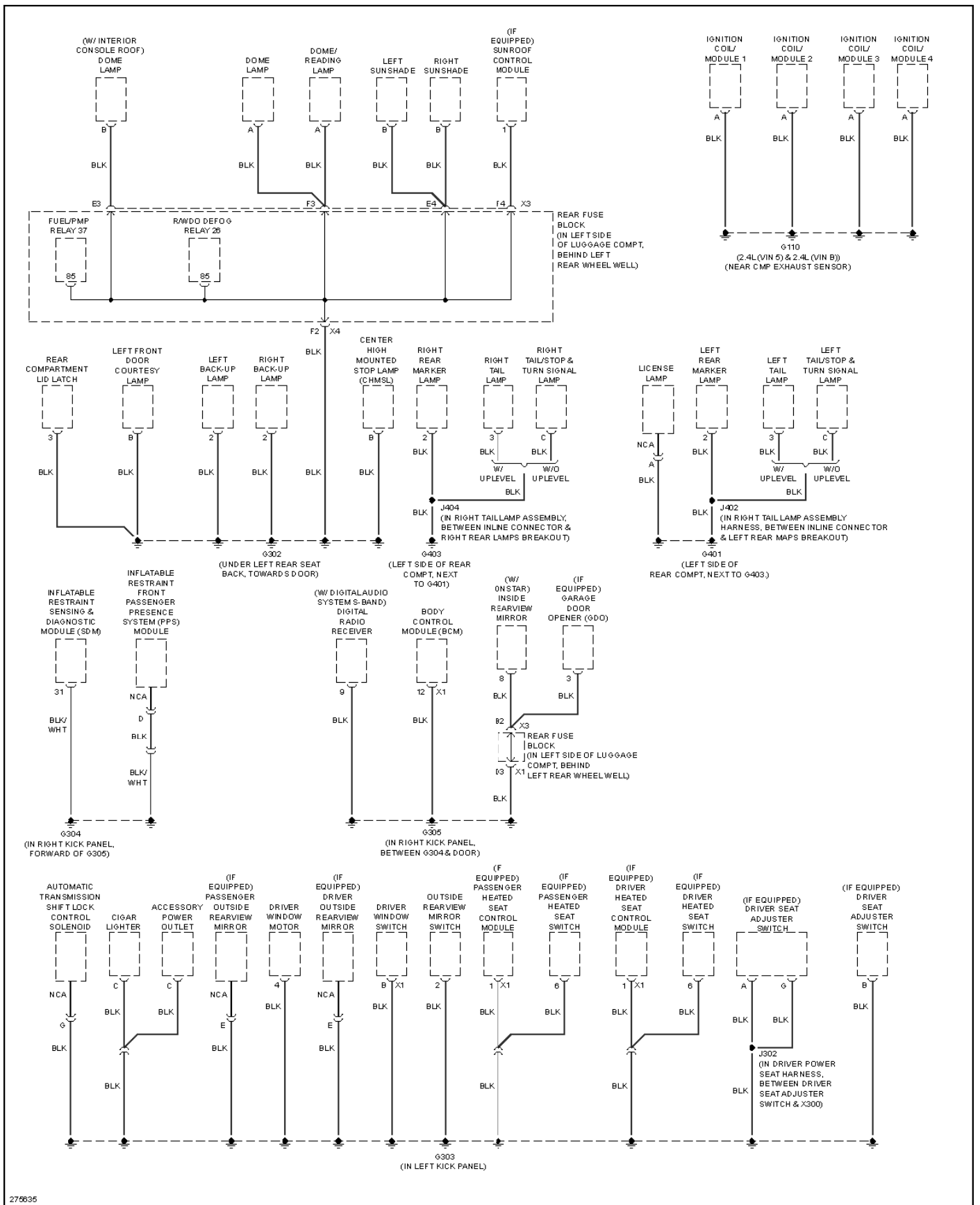


Fig. 48: Ground Distribution Circuit (3 of 3)

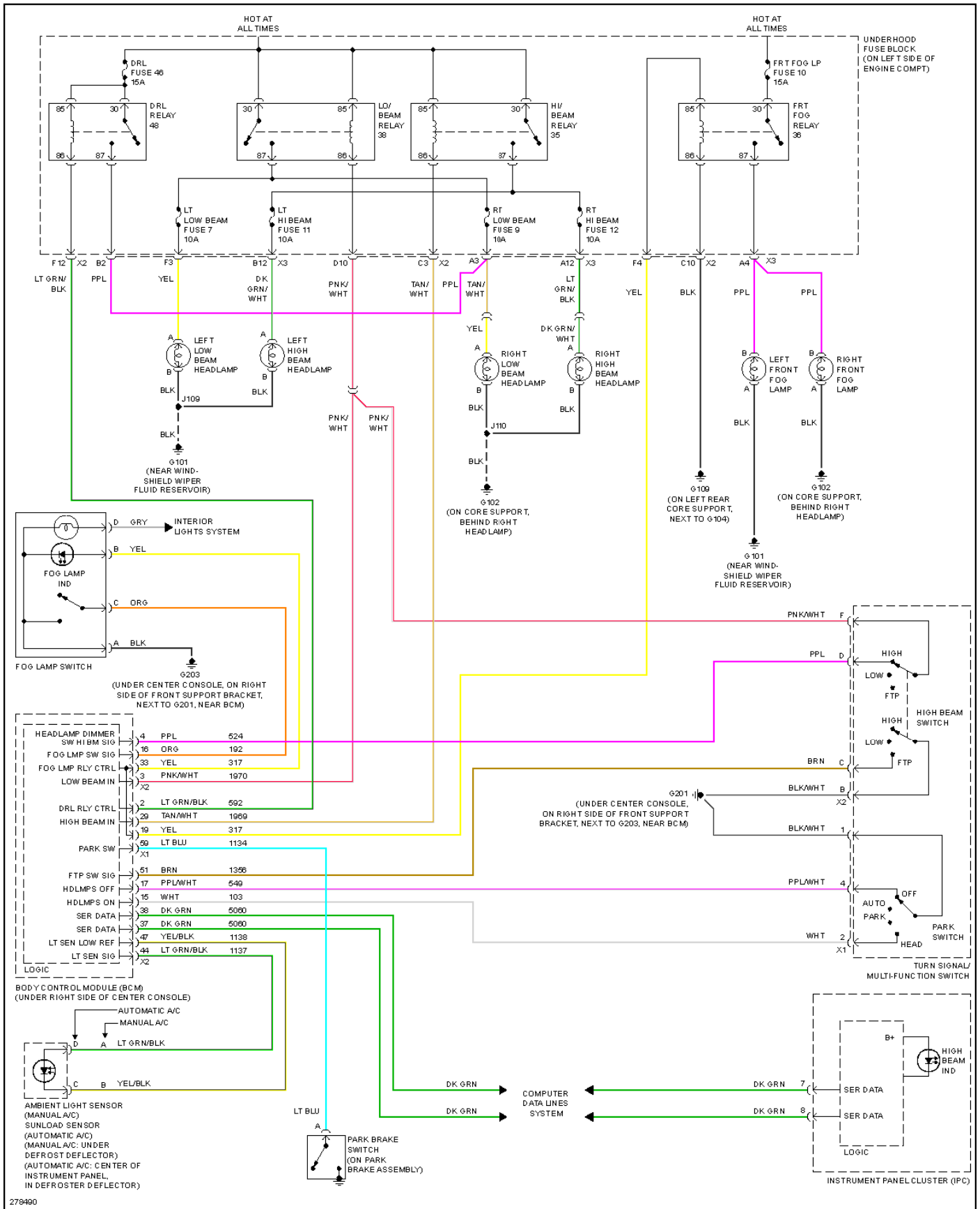


Fig. 49: Headlights Circuit

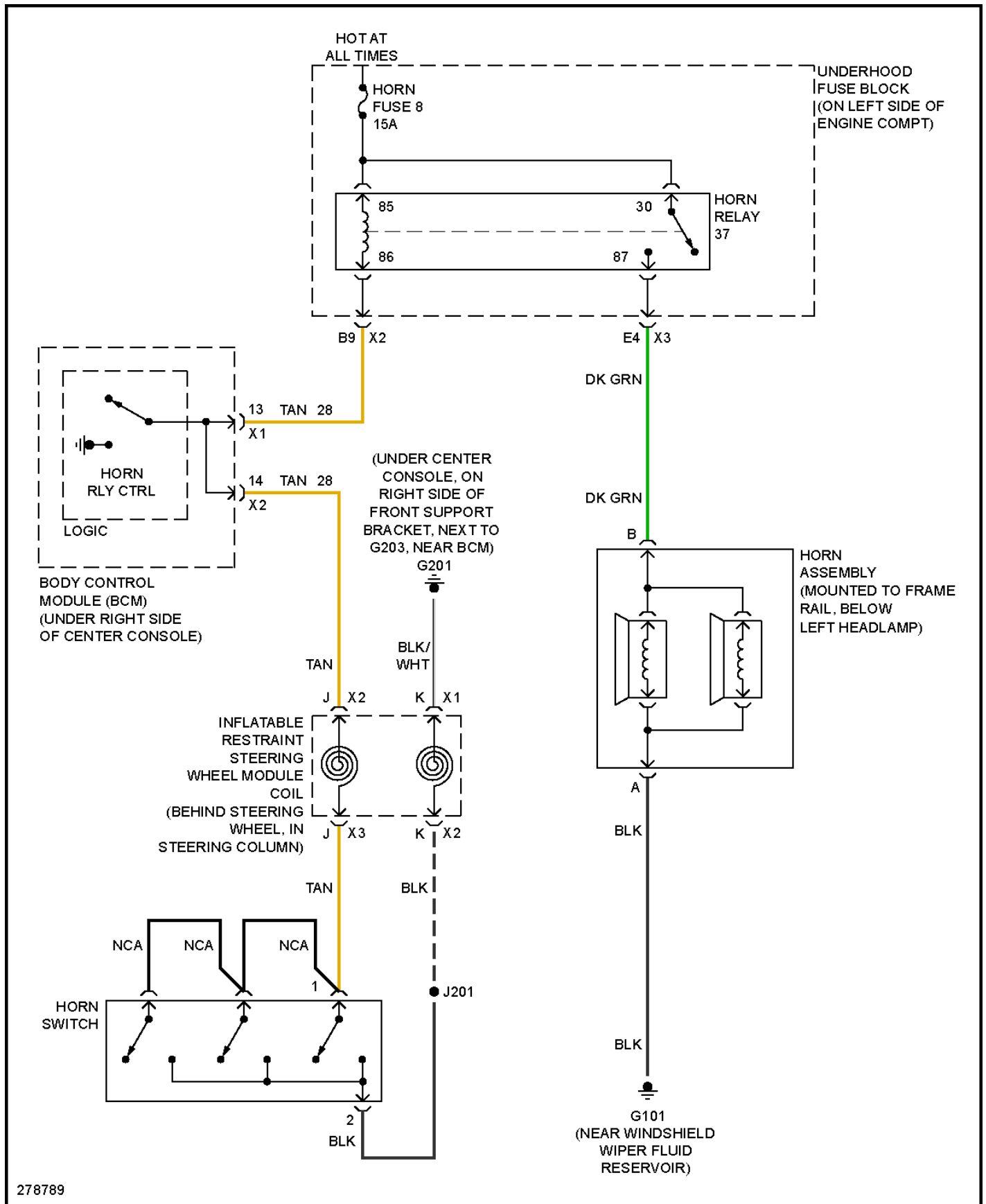


Fig. 50: Horn Circuit

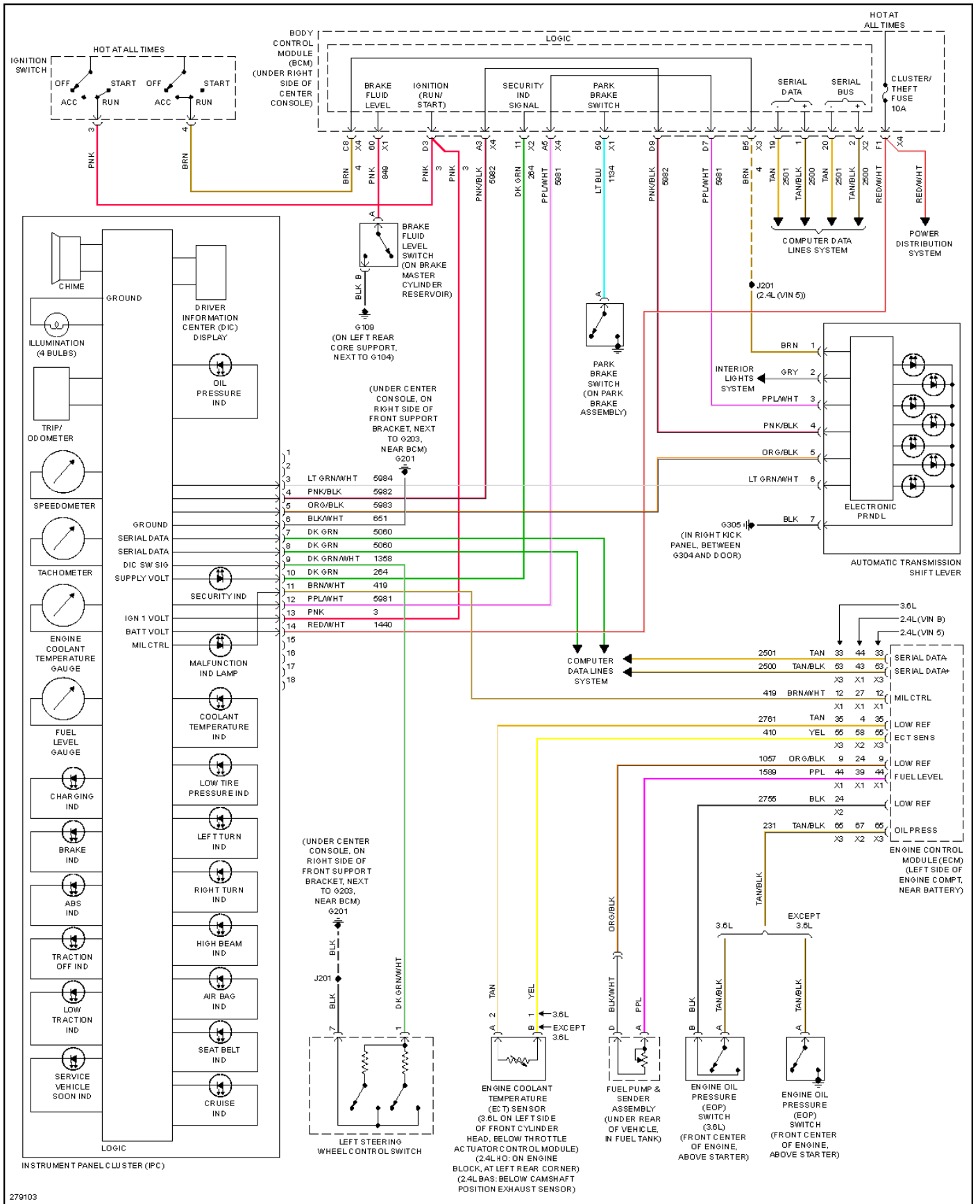


Fig. 51: Instrument Cluster Circuit

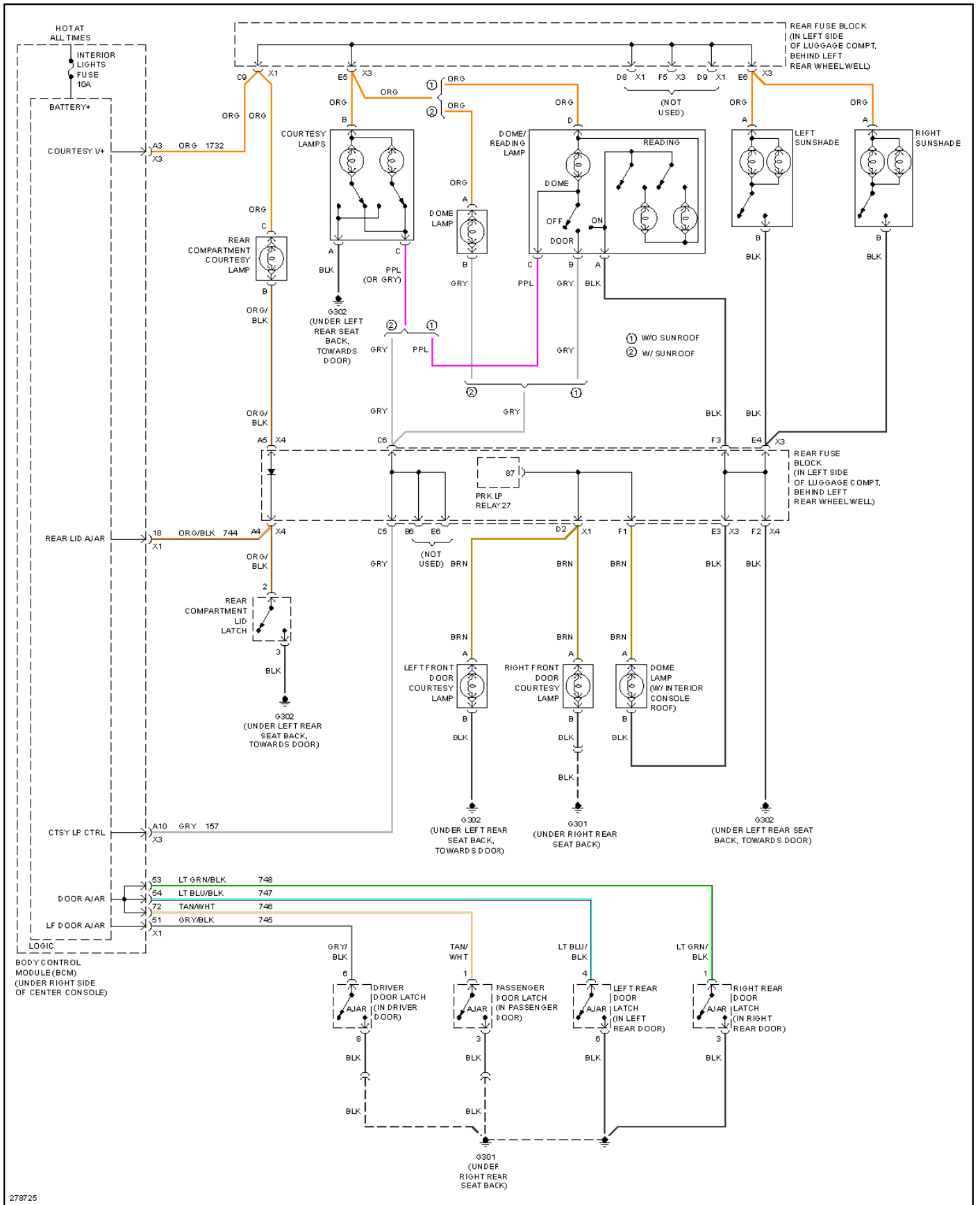
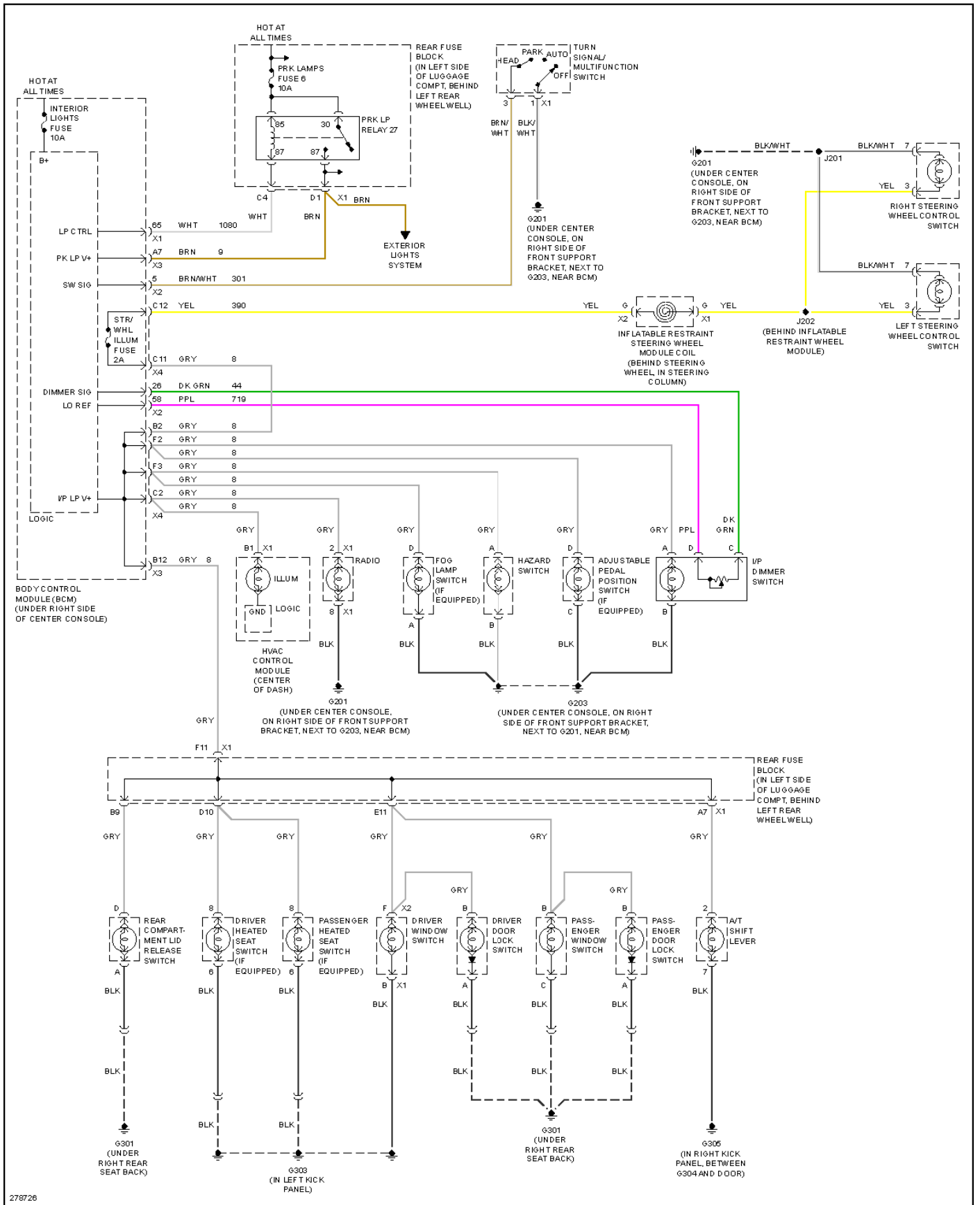


Fig. 52: Courtesy Lamps Circuit



278726

Fig. 53: Instrument Illumination Circuit

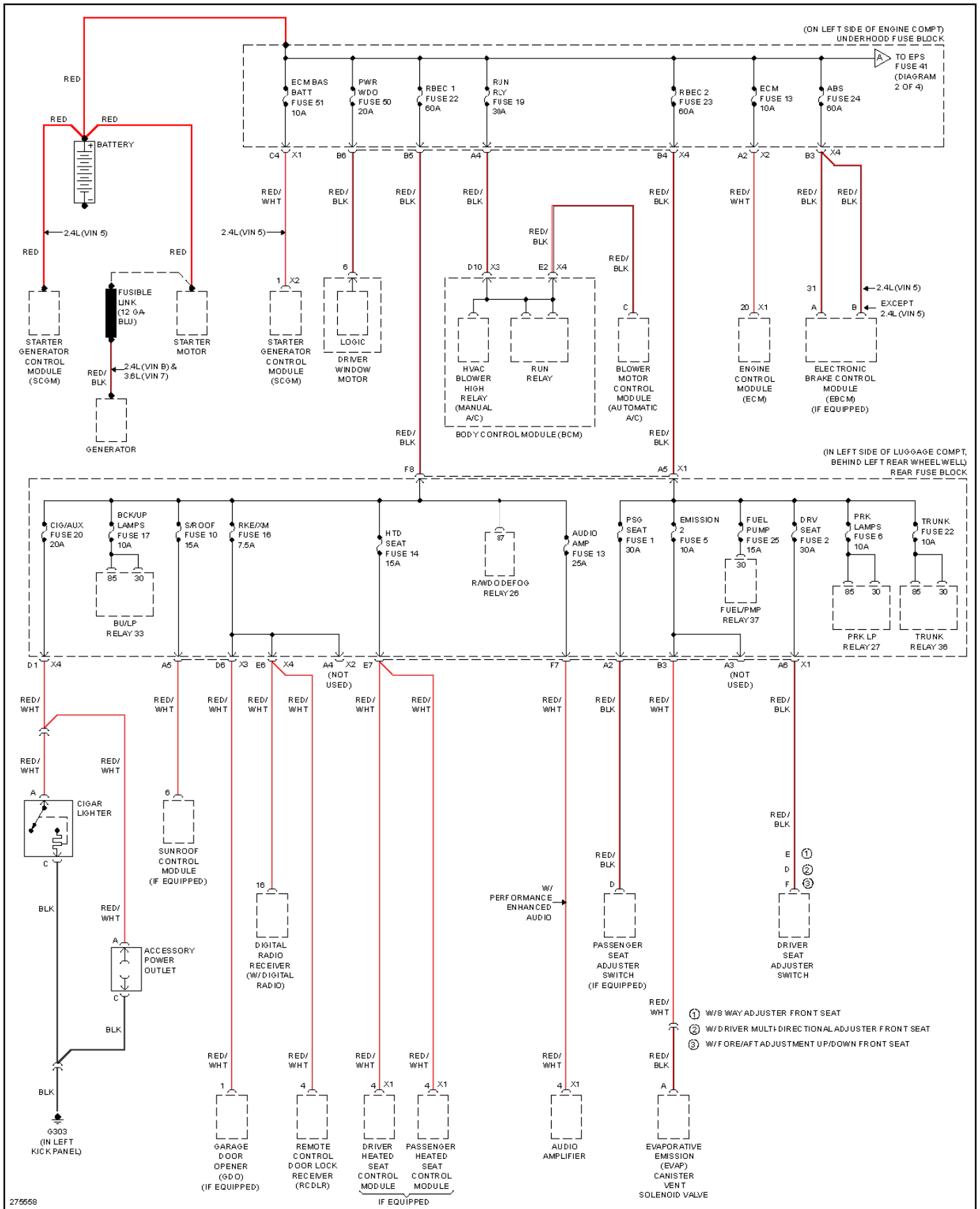


Fig. 54: Power Distribution Circuit (1 of 4)

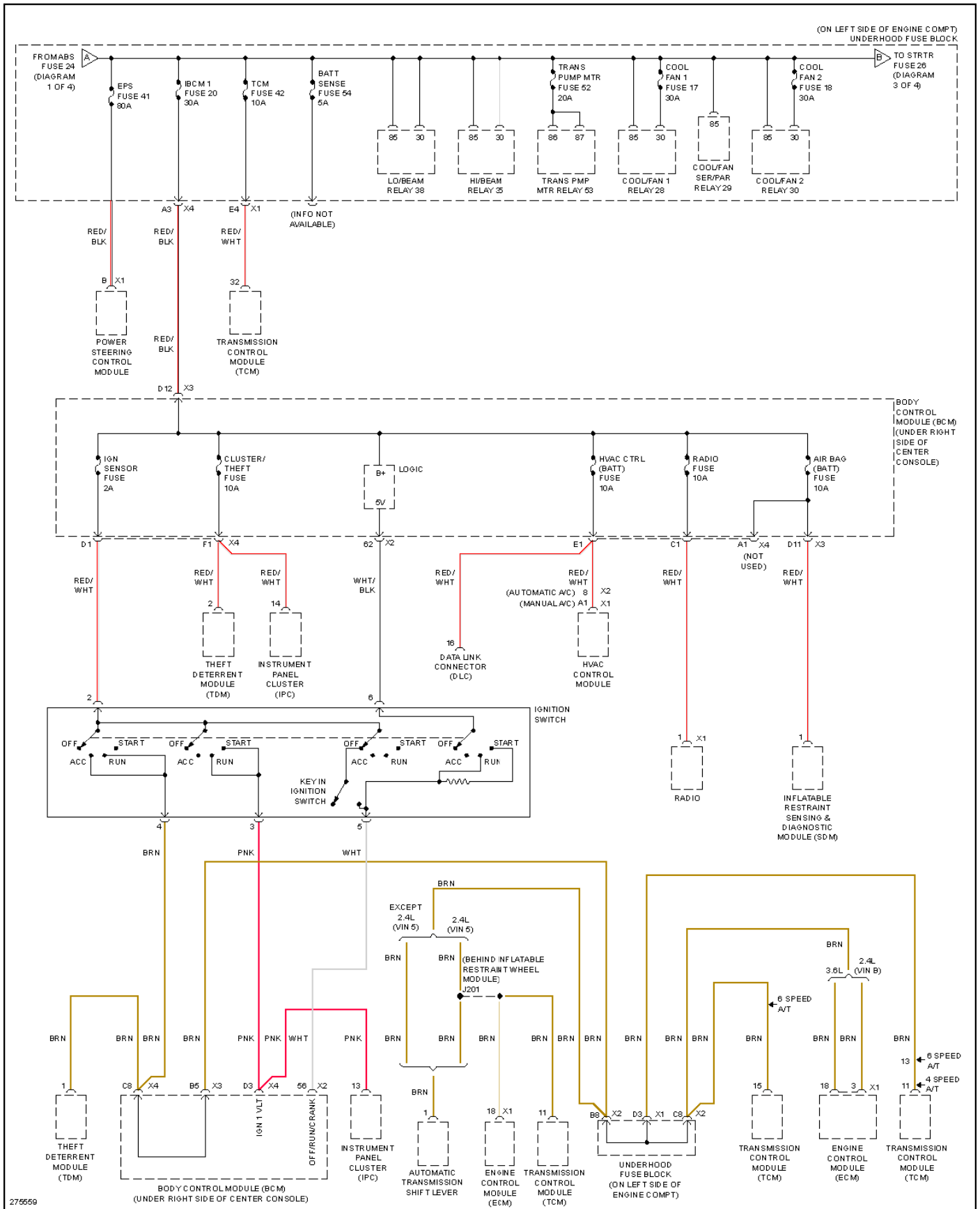


Fig. 55: Power Distribution Circuit (2 of 4)

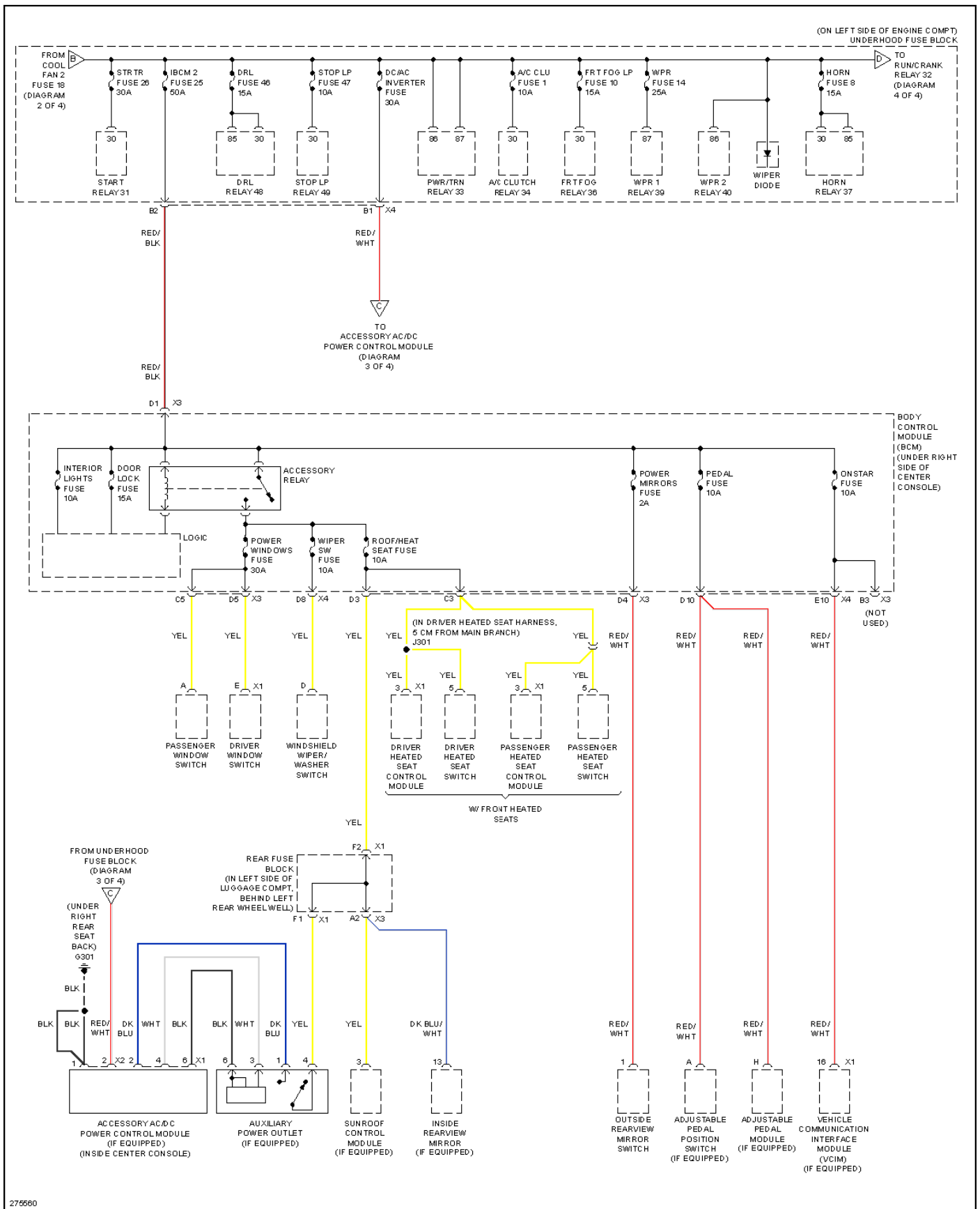


Fig. 56: Power Distribution Circuit (3 of 4)

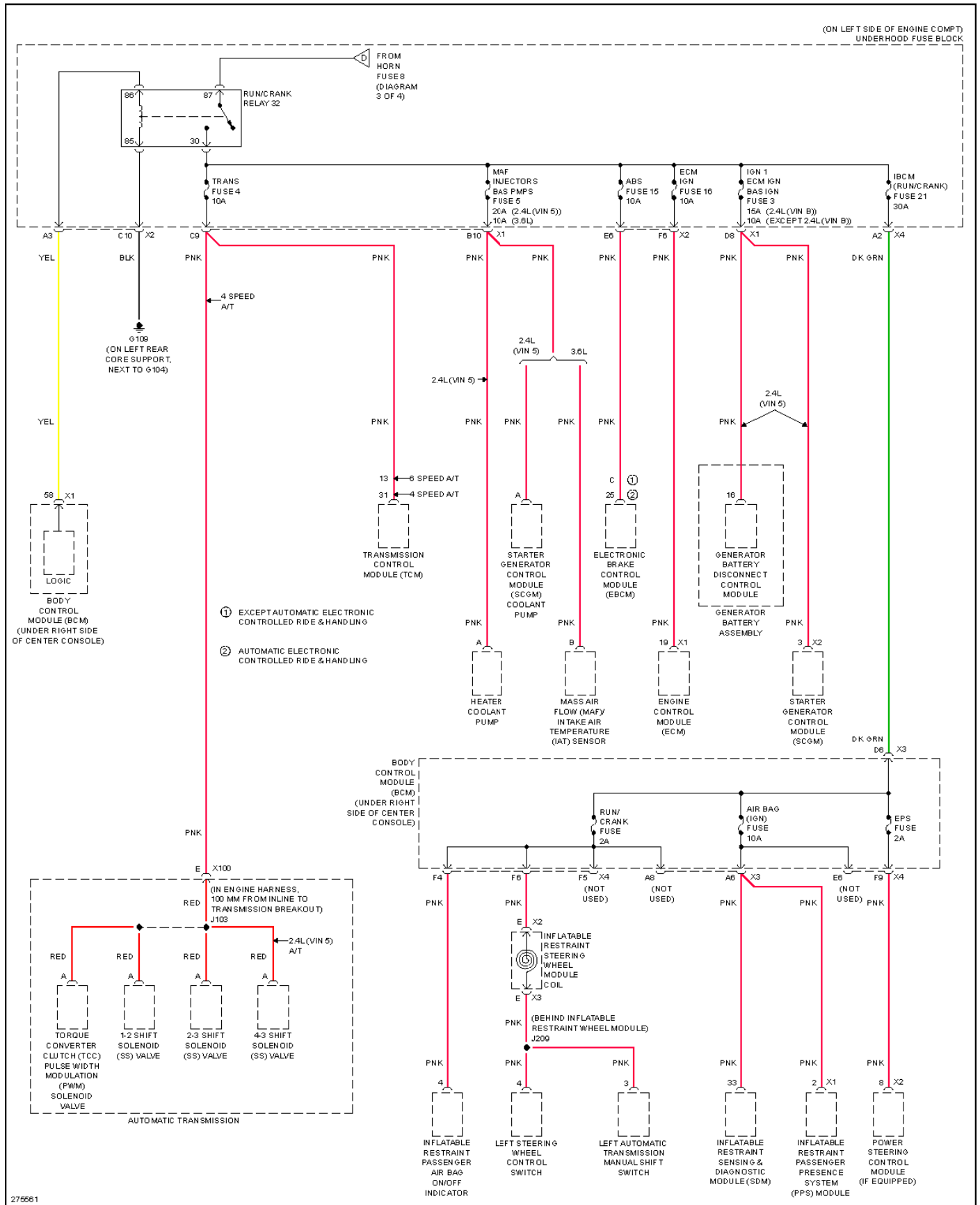


Fig. 57: Power Distribution Circuit (4 of 4)

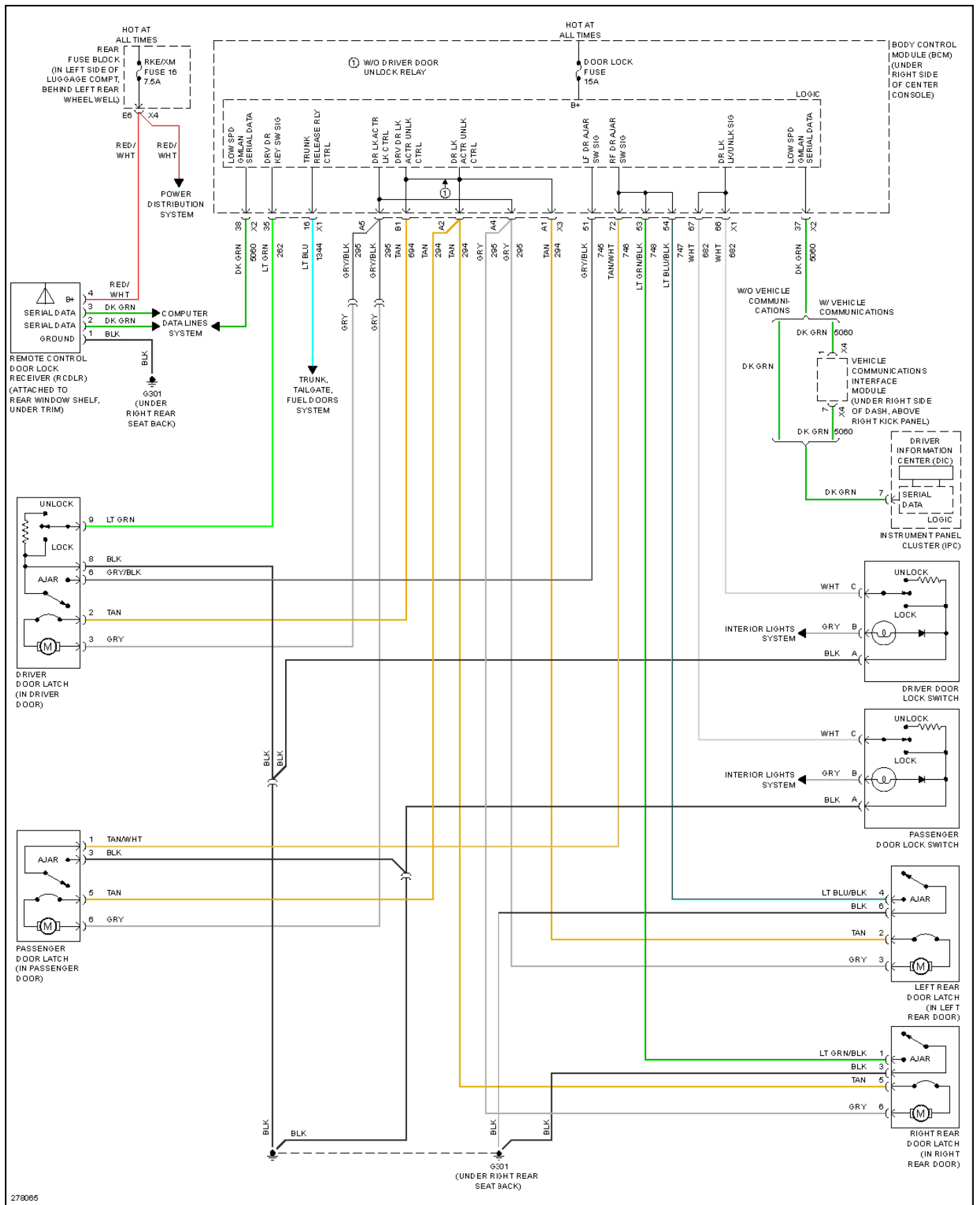


Fig. 58: Power Door Locks Circuit

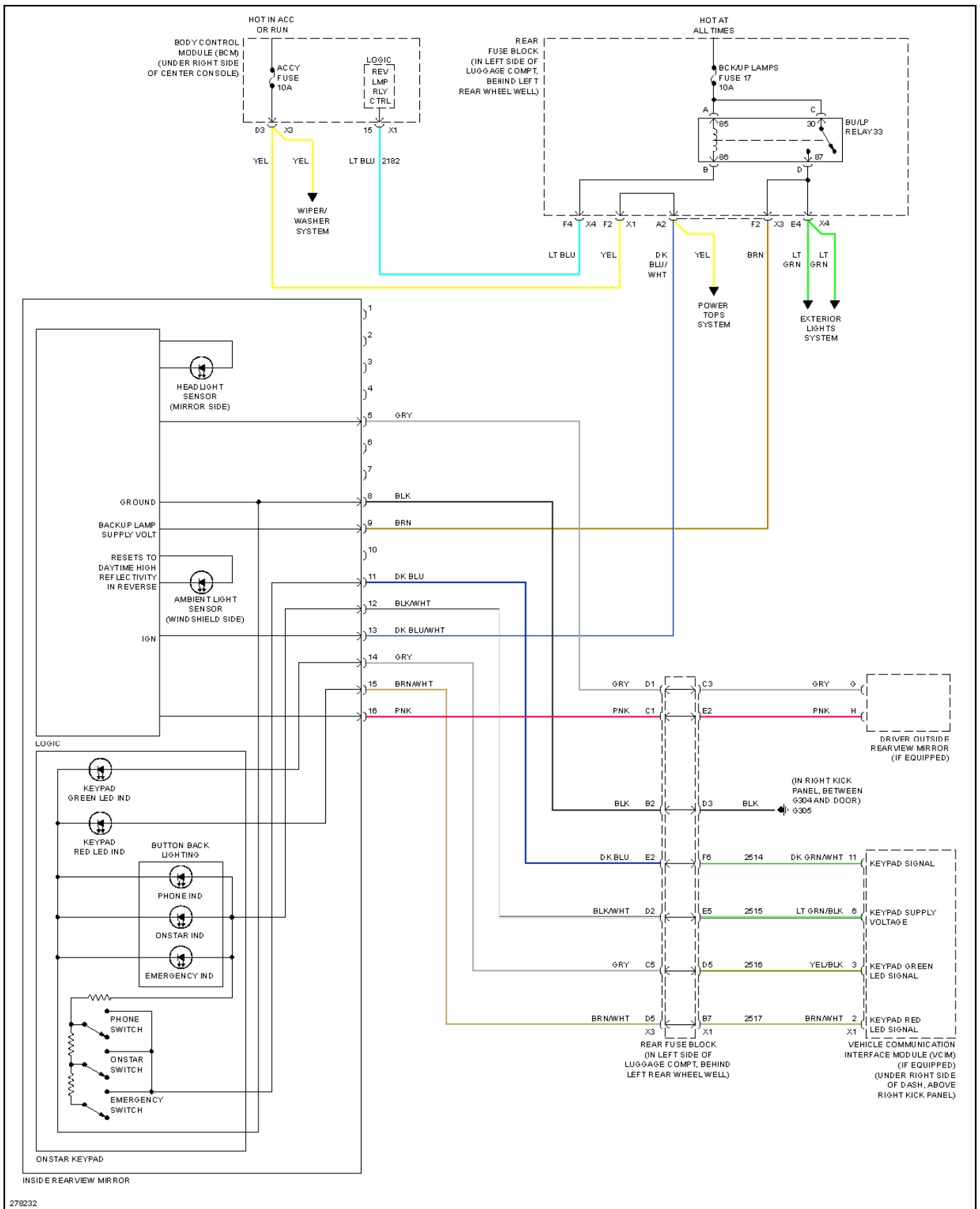
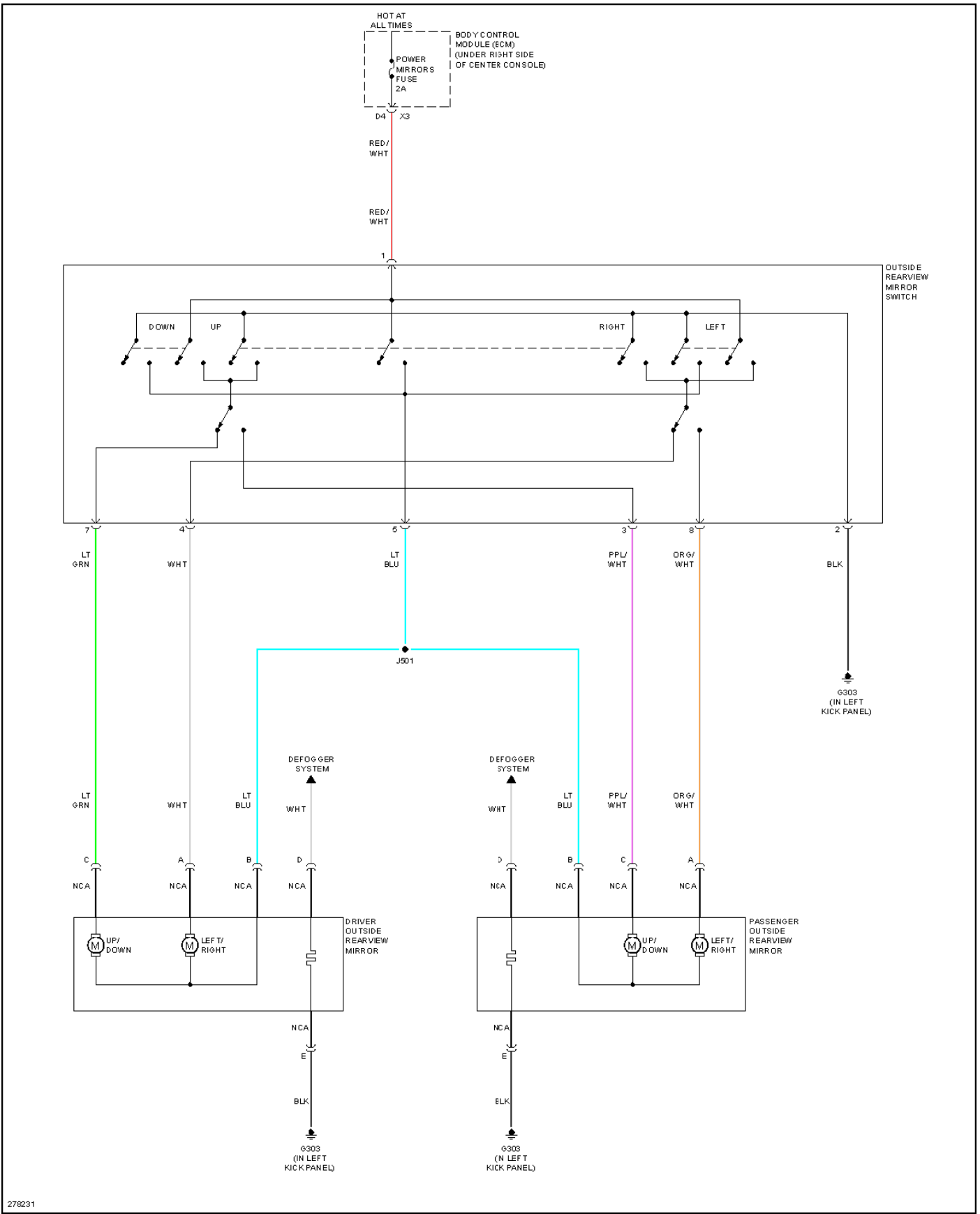


Fig. 59: Automatic Day/Night Mirror Circuit



278231

Fig. 60: Power Mirrors Circuit

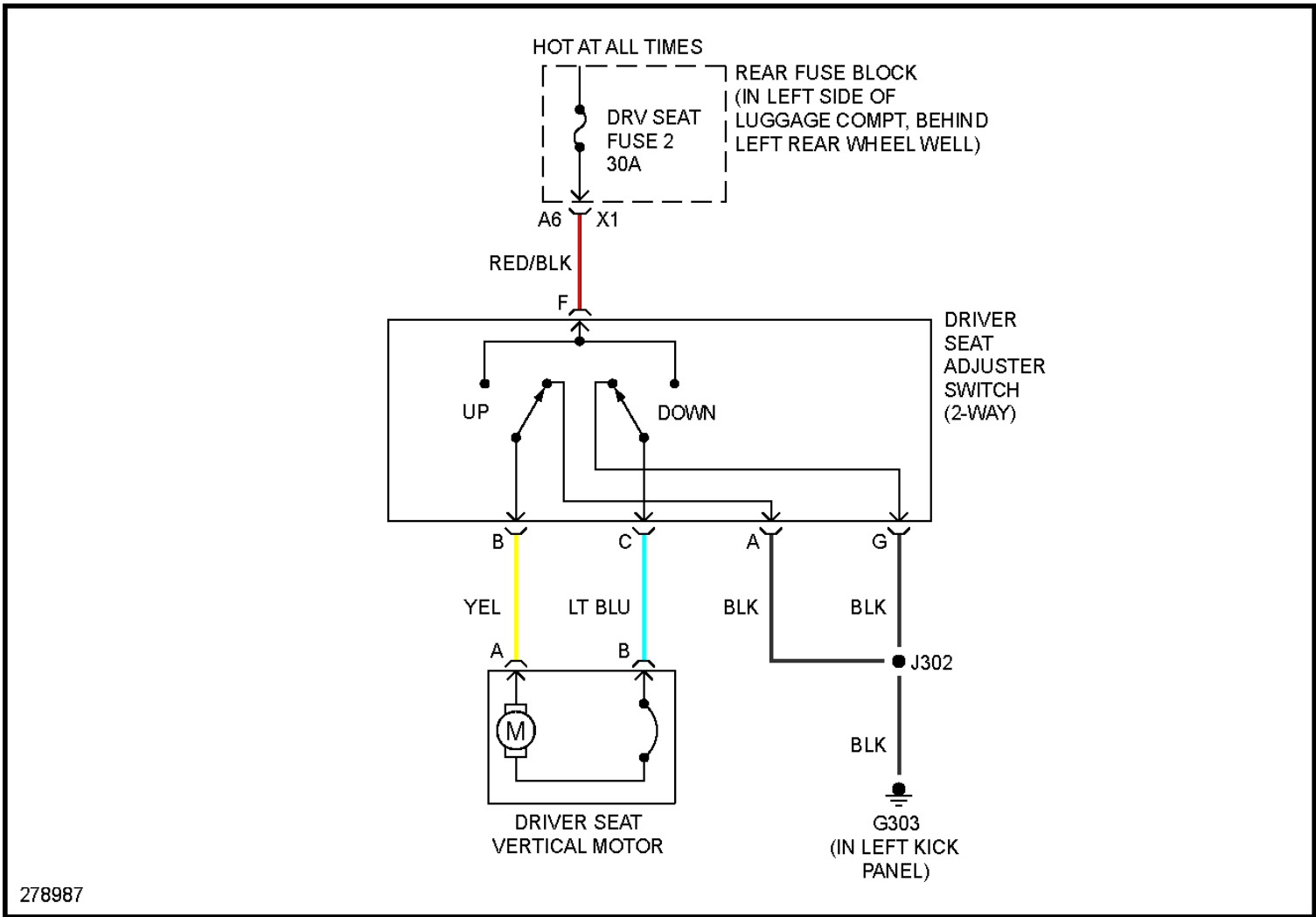


Fig. 61: 2-Way Adjustable Power Seat Circuit

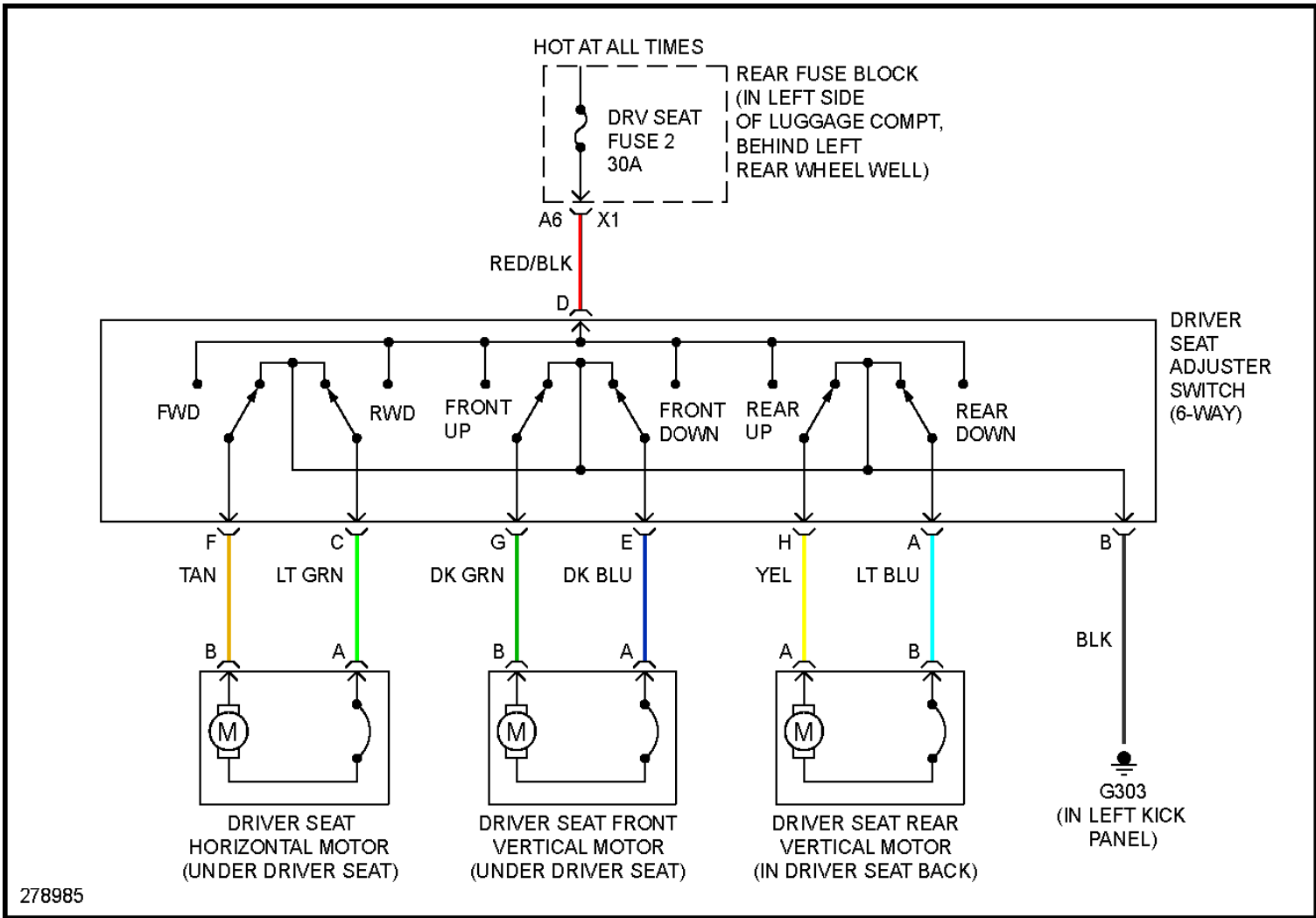


Fig. 62: 6-Way Power Seat Circuit

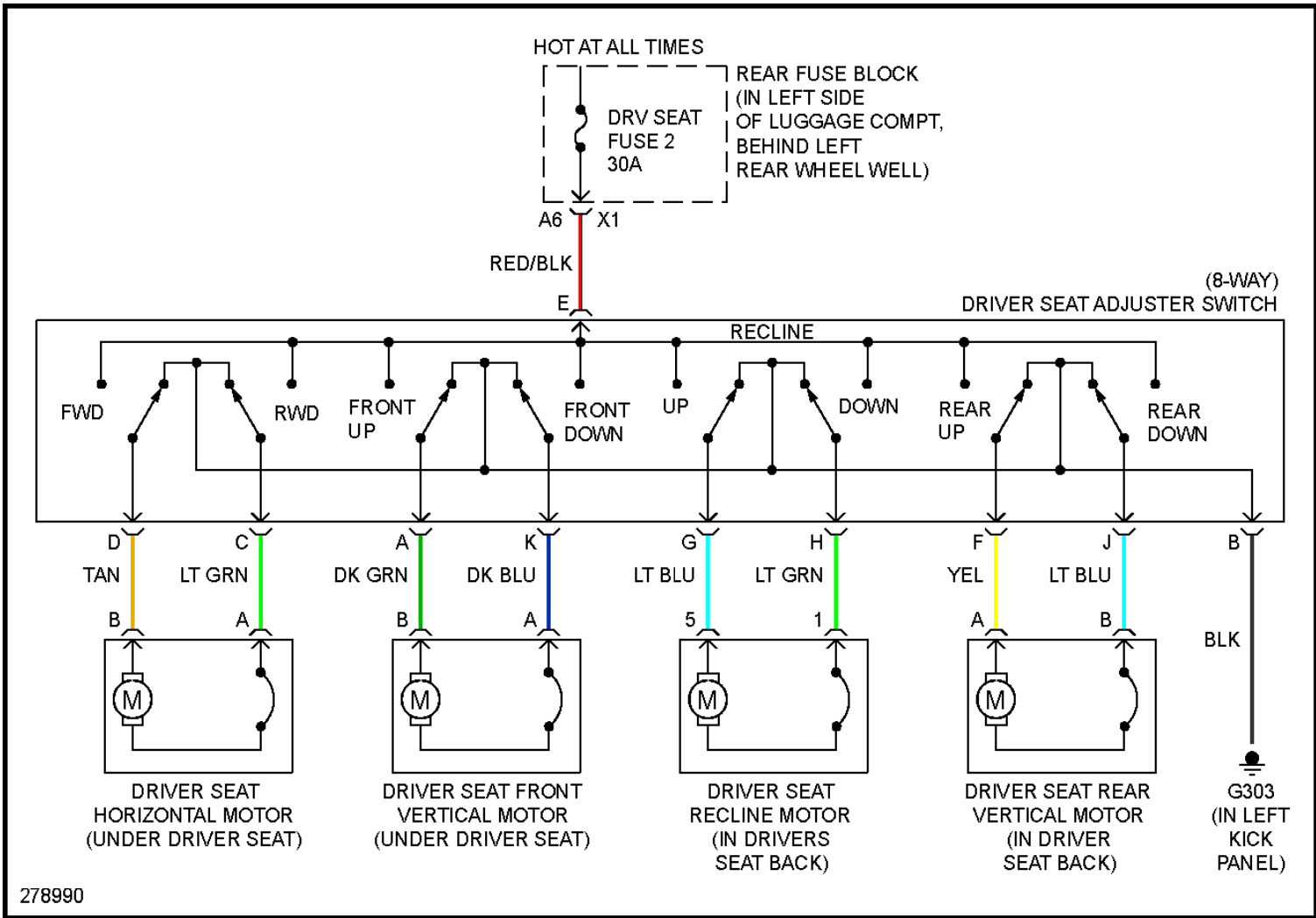


Fig. 63: 8-Way Adjustable Power Seat Circuit

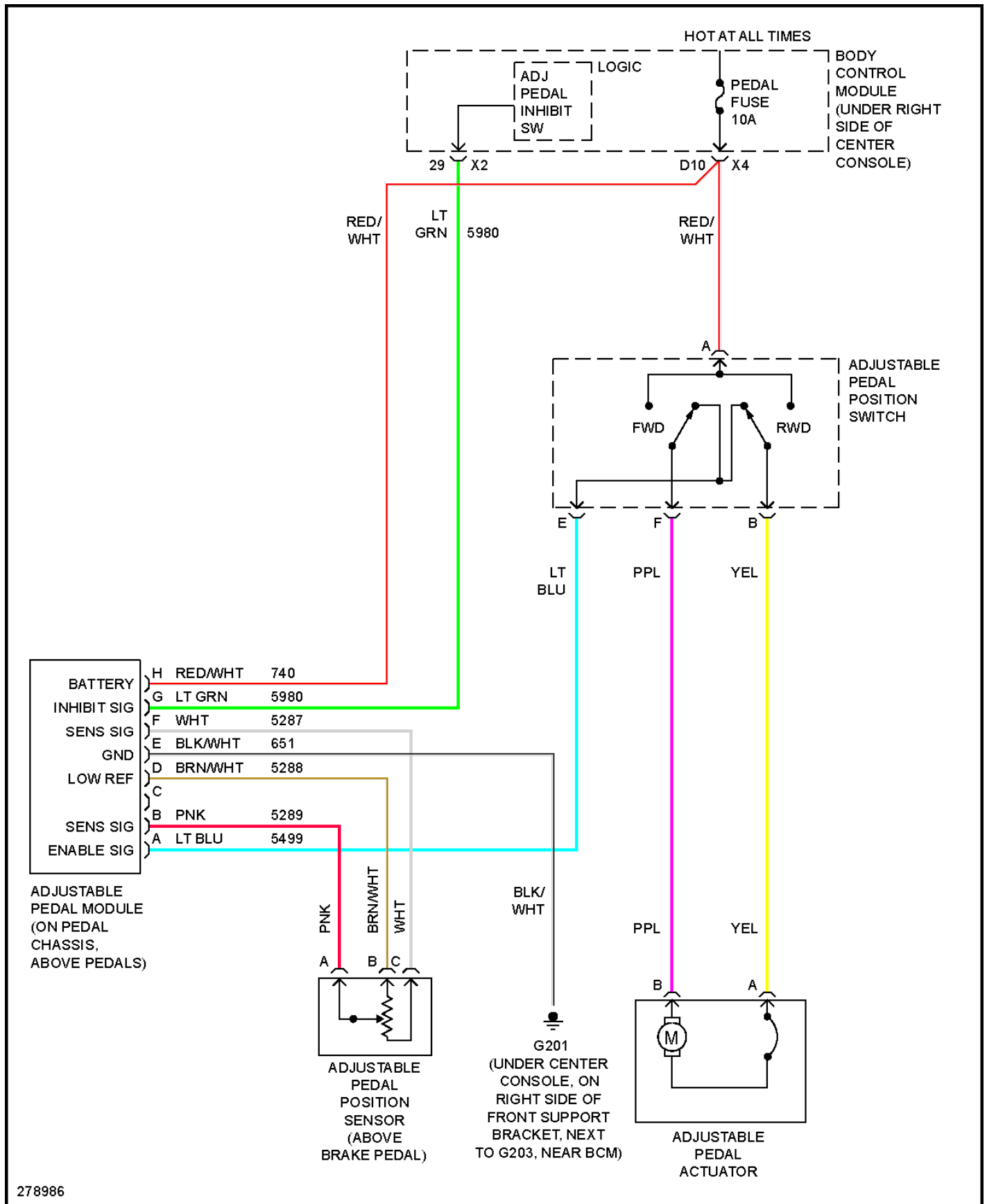
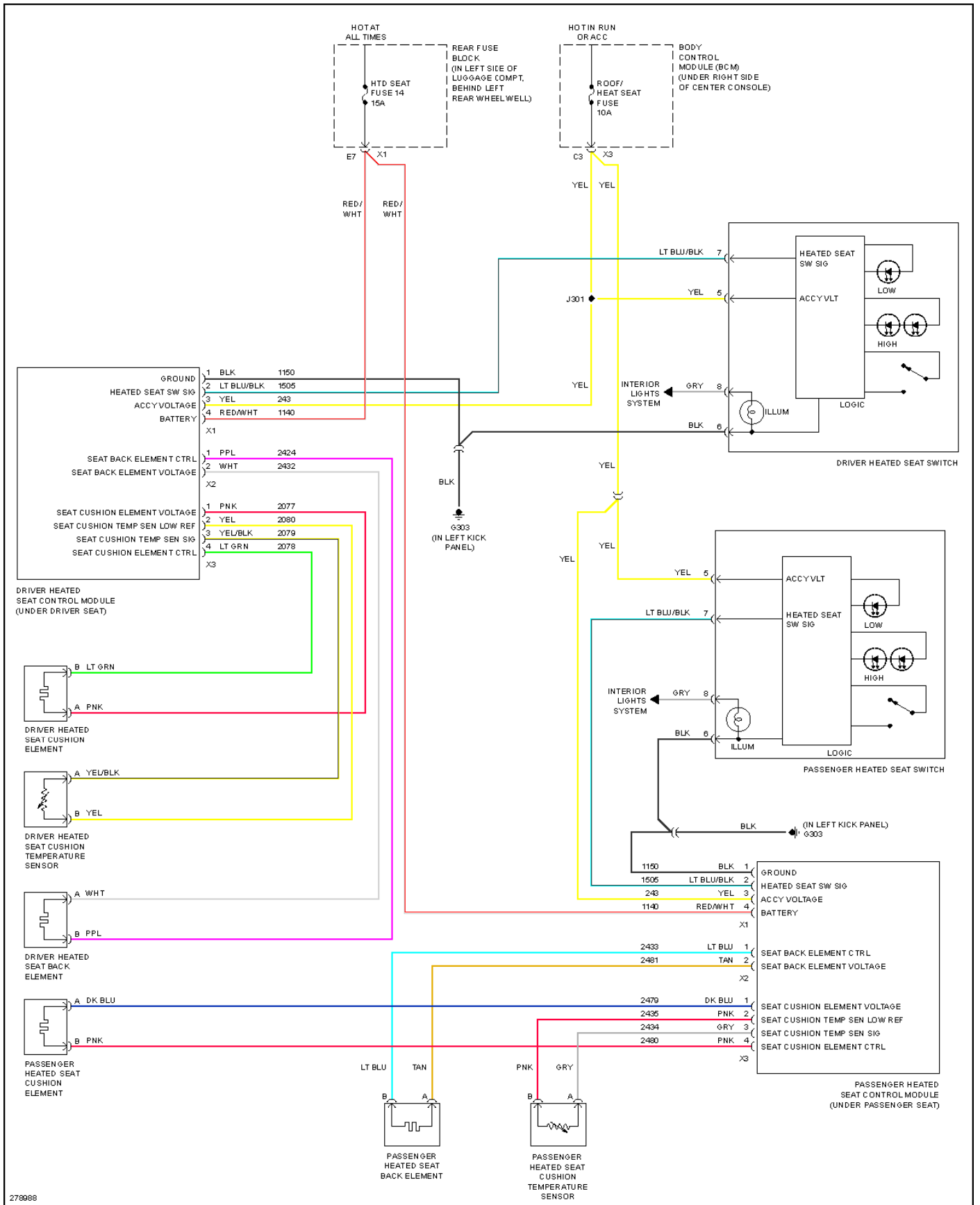


Fig. 64: Adjustable Pedal Circuit



279088

Fig. 65: Heated Seats Circuit

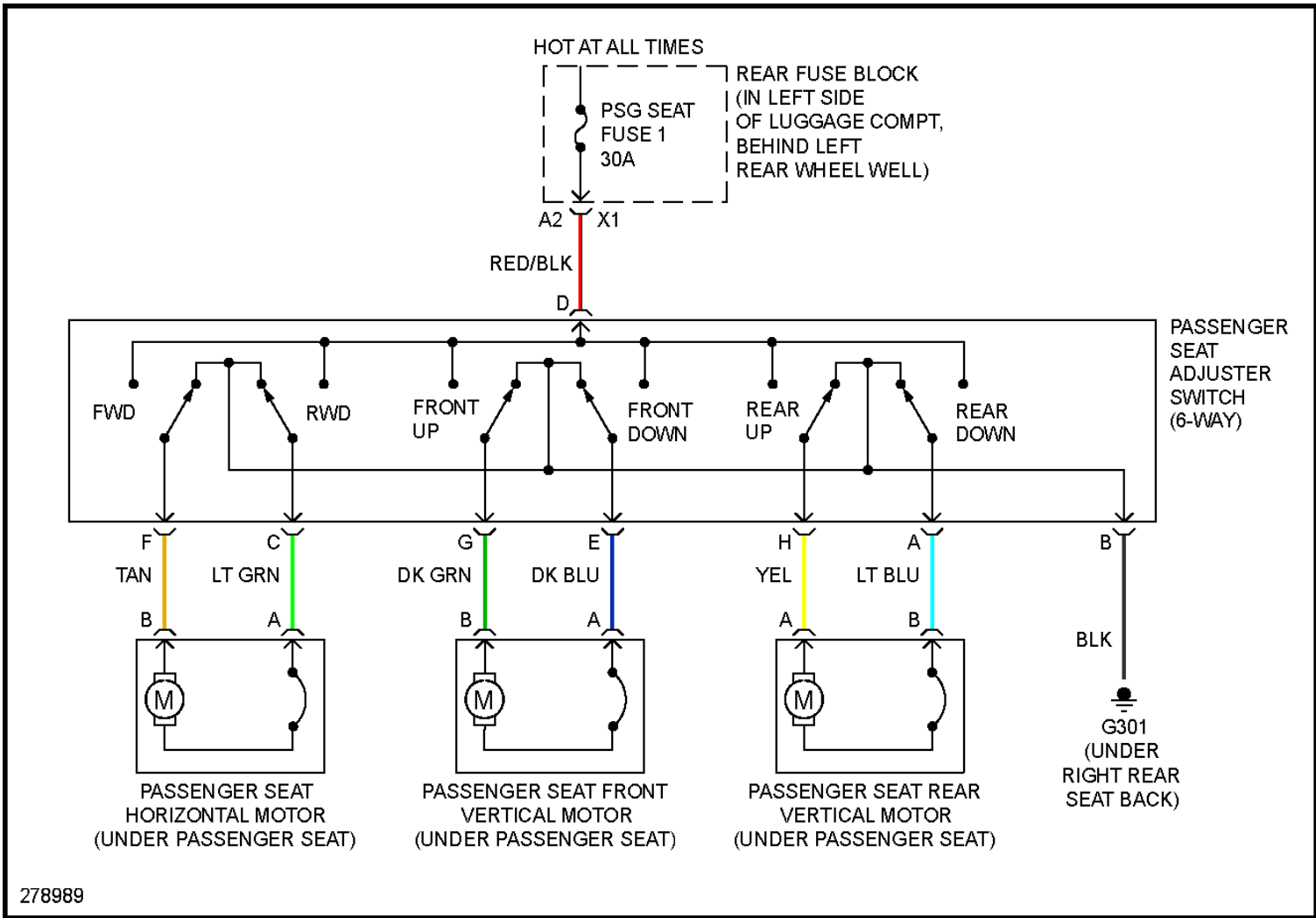


Fig. 66: Passenger Power Seat Circuit

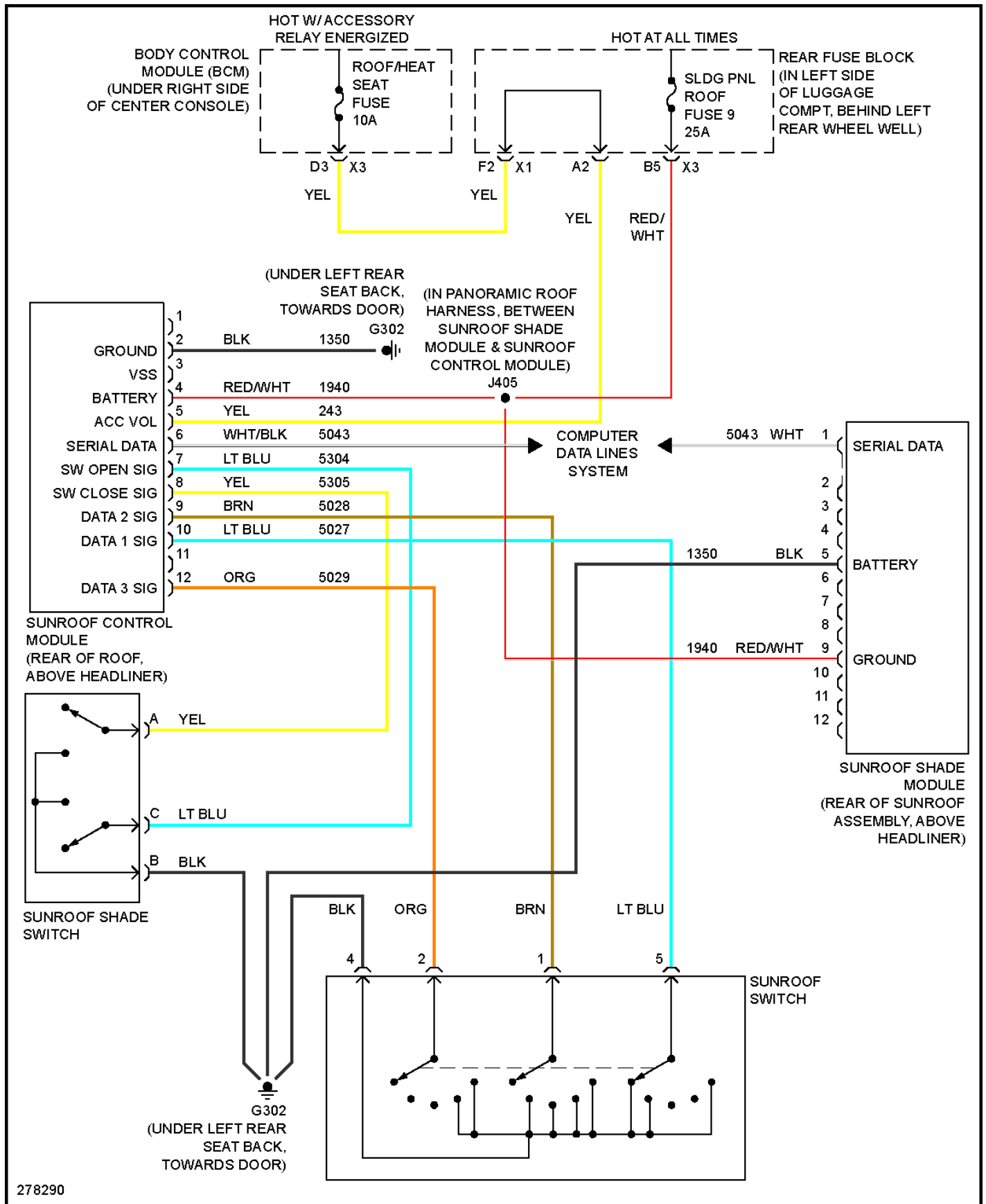


Fig. 67: Panoramic Roof Circuit

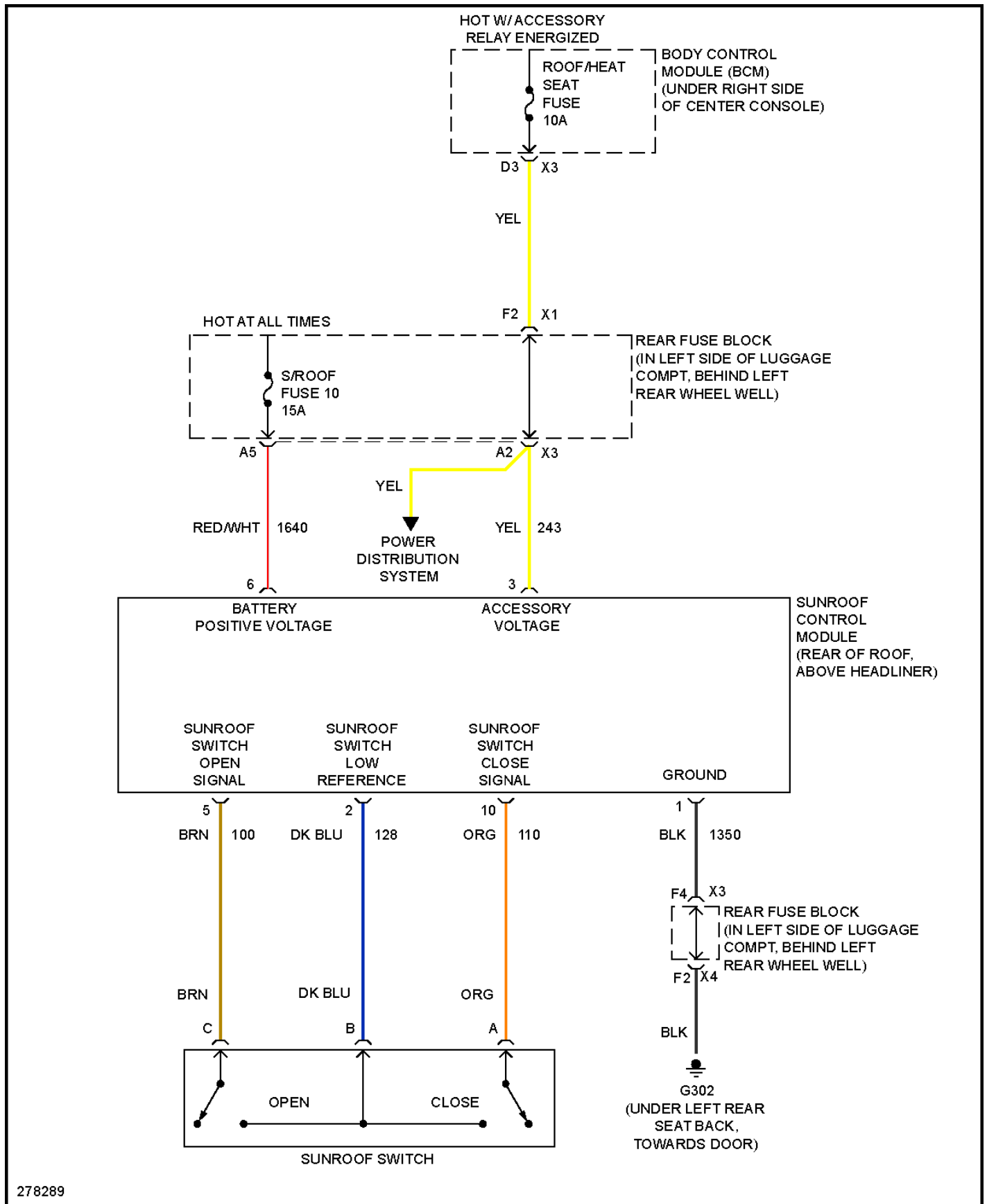


Fig. 68: Sunroof Circuit

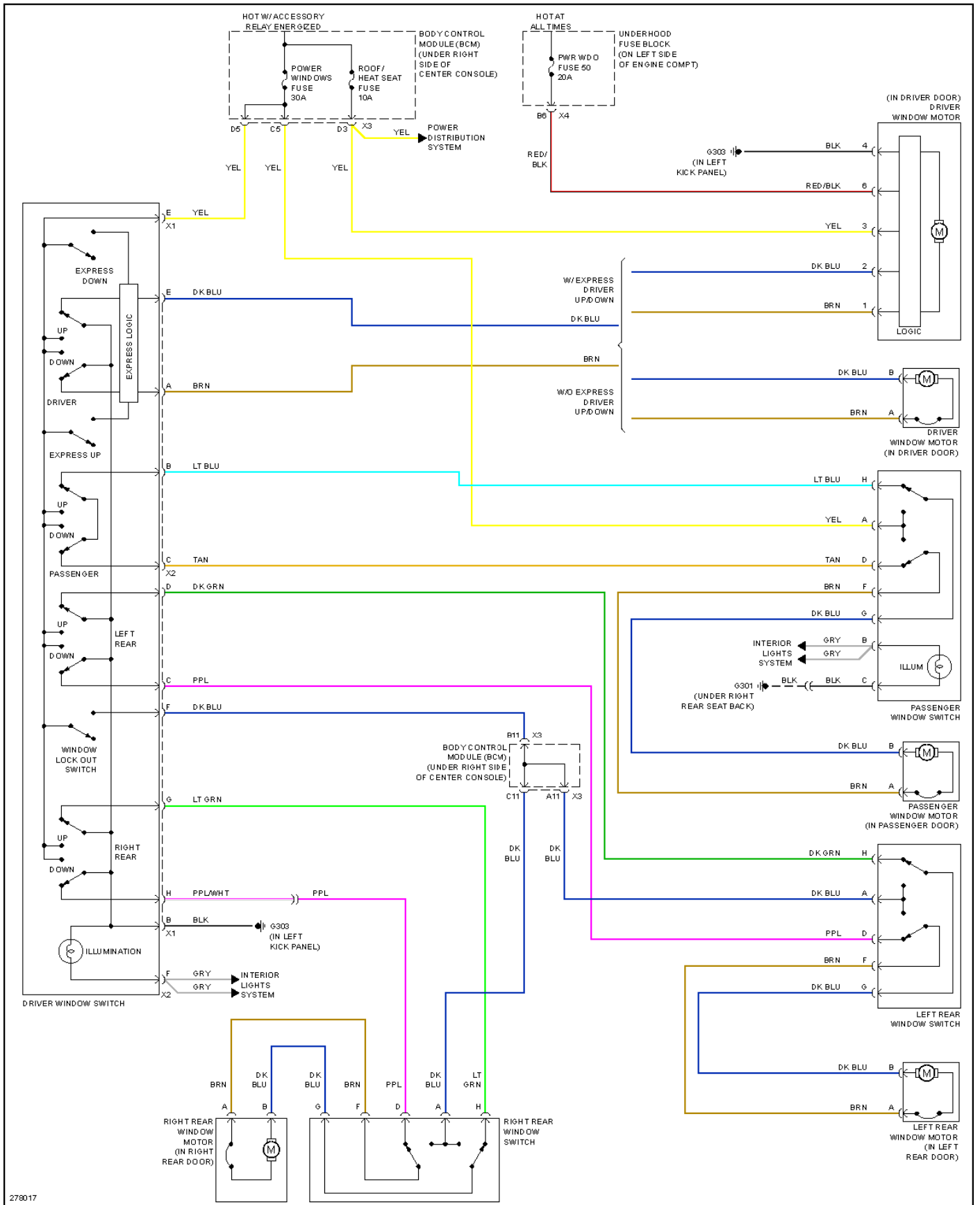


Fig. 69: Power Windows Circuit

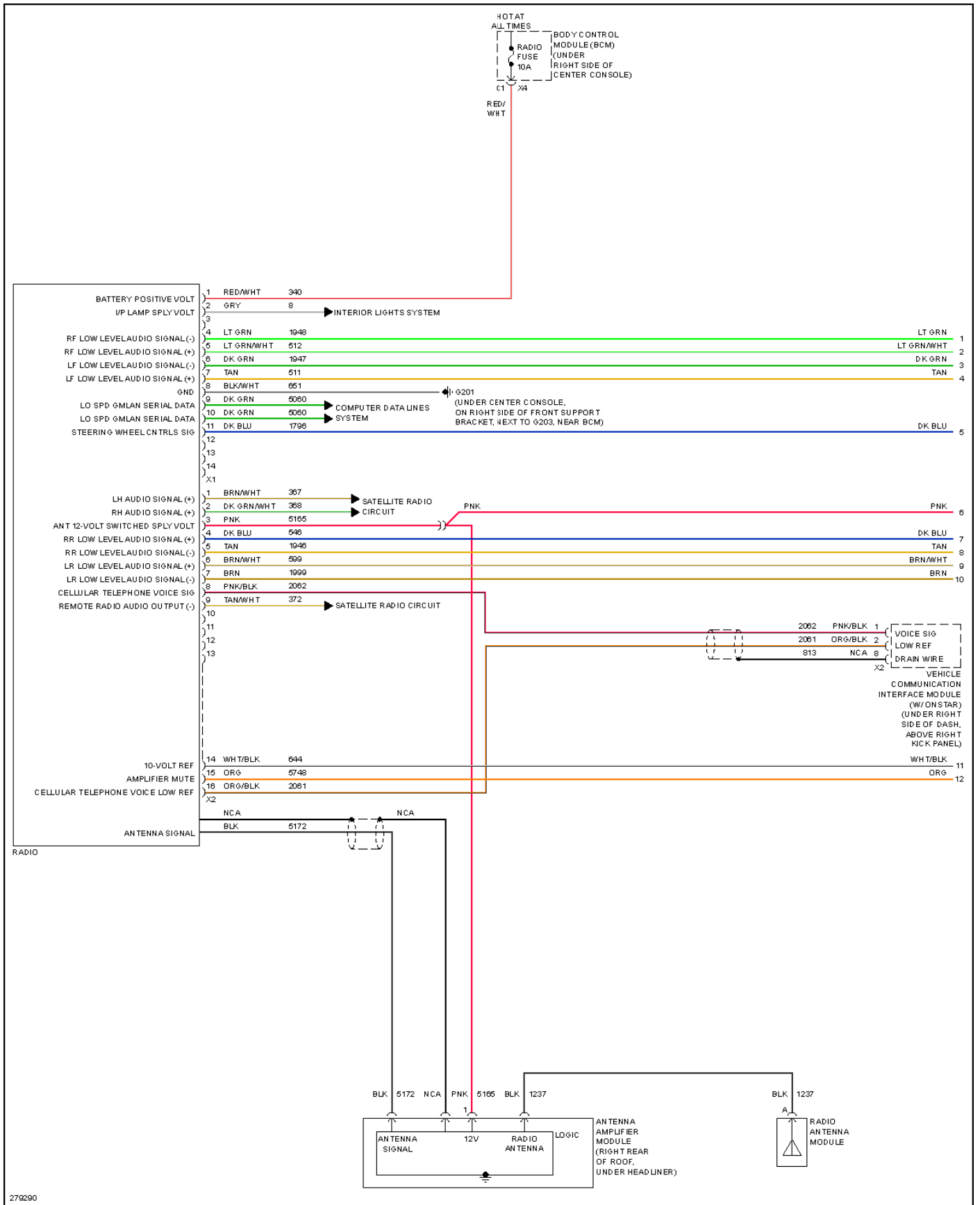


Fig. 70: Radio Circuit, Enhanced (1 of 3)

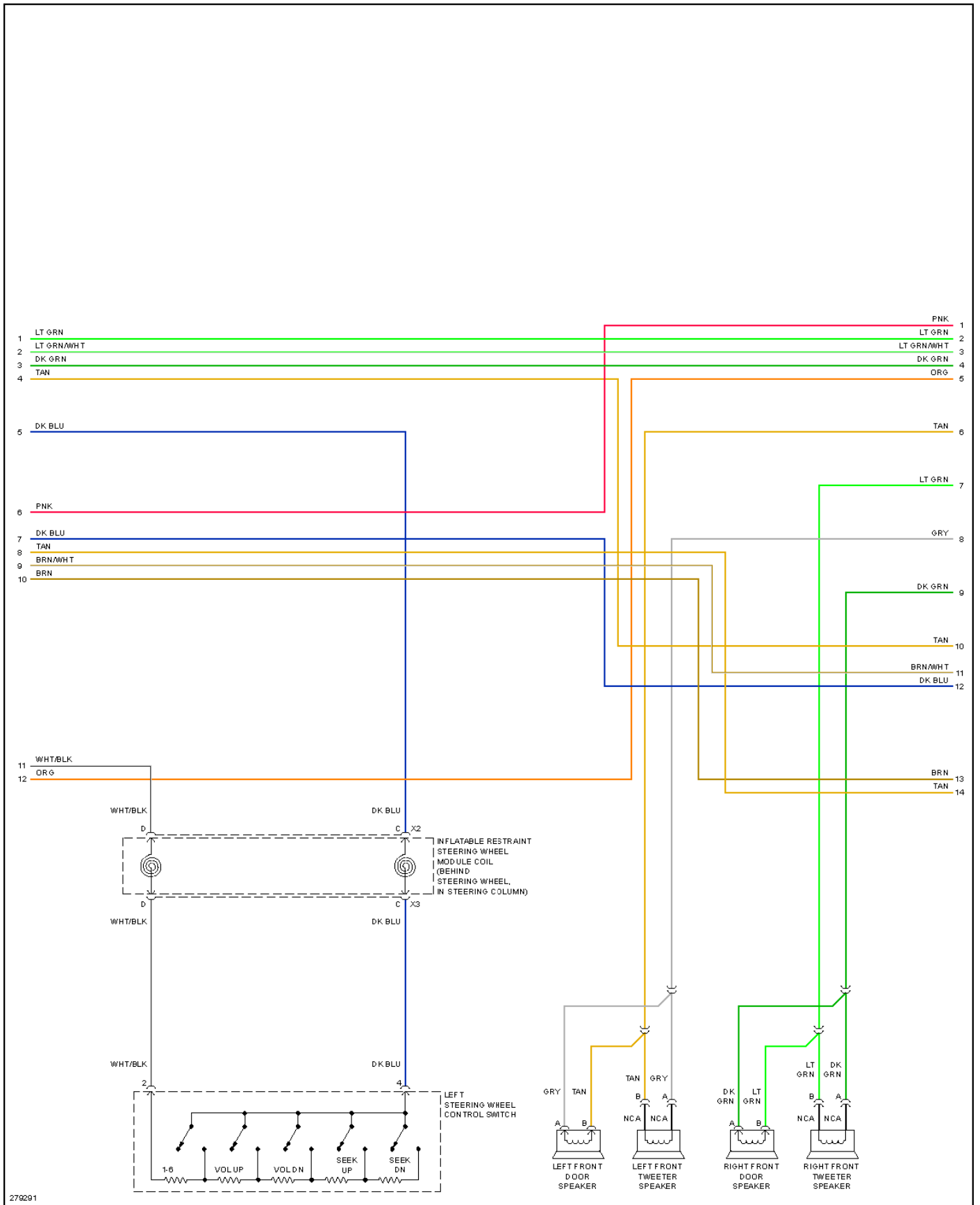


Fig. 71: Radio Circuit, Enhanced (2 of 3)

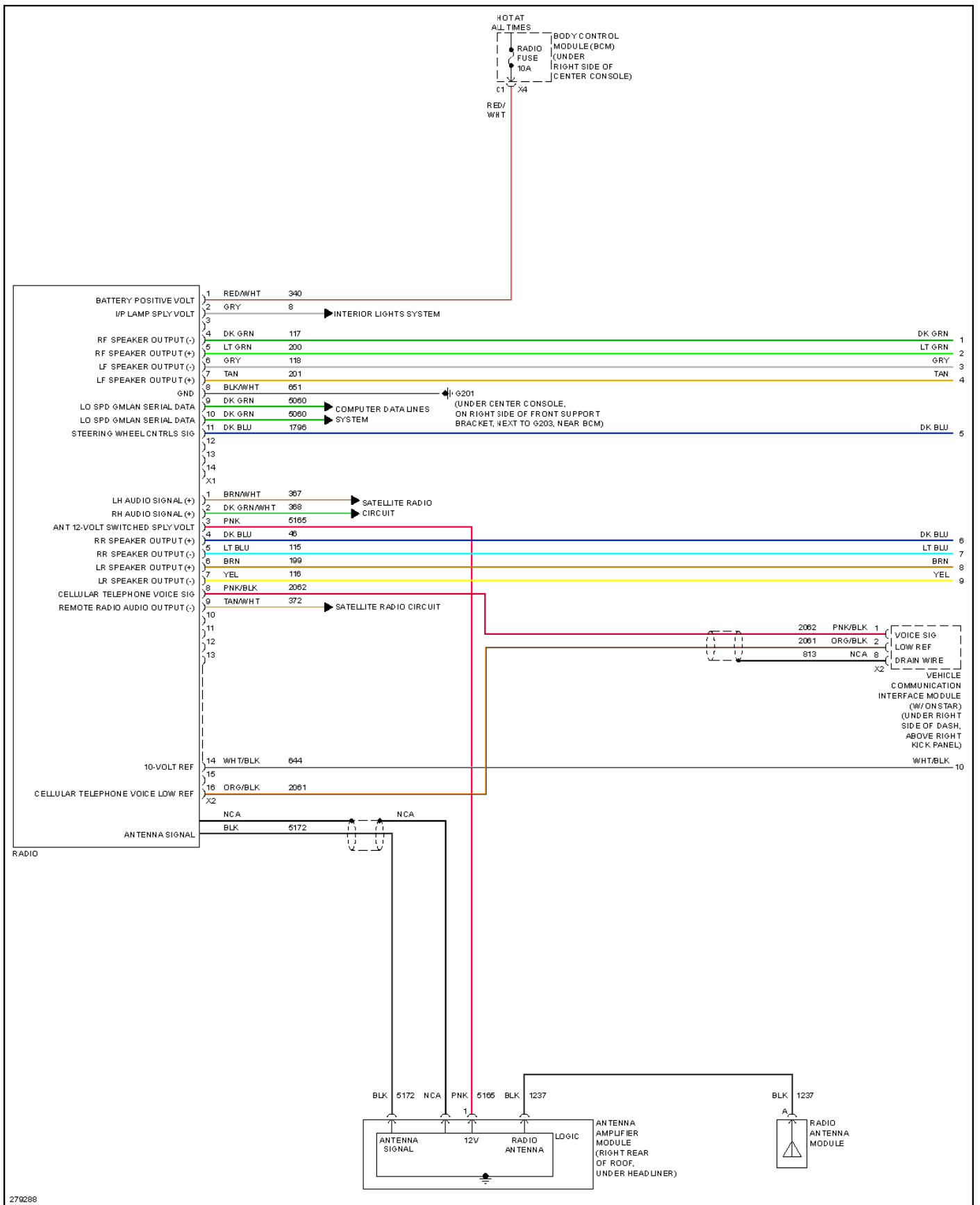
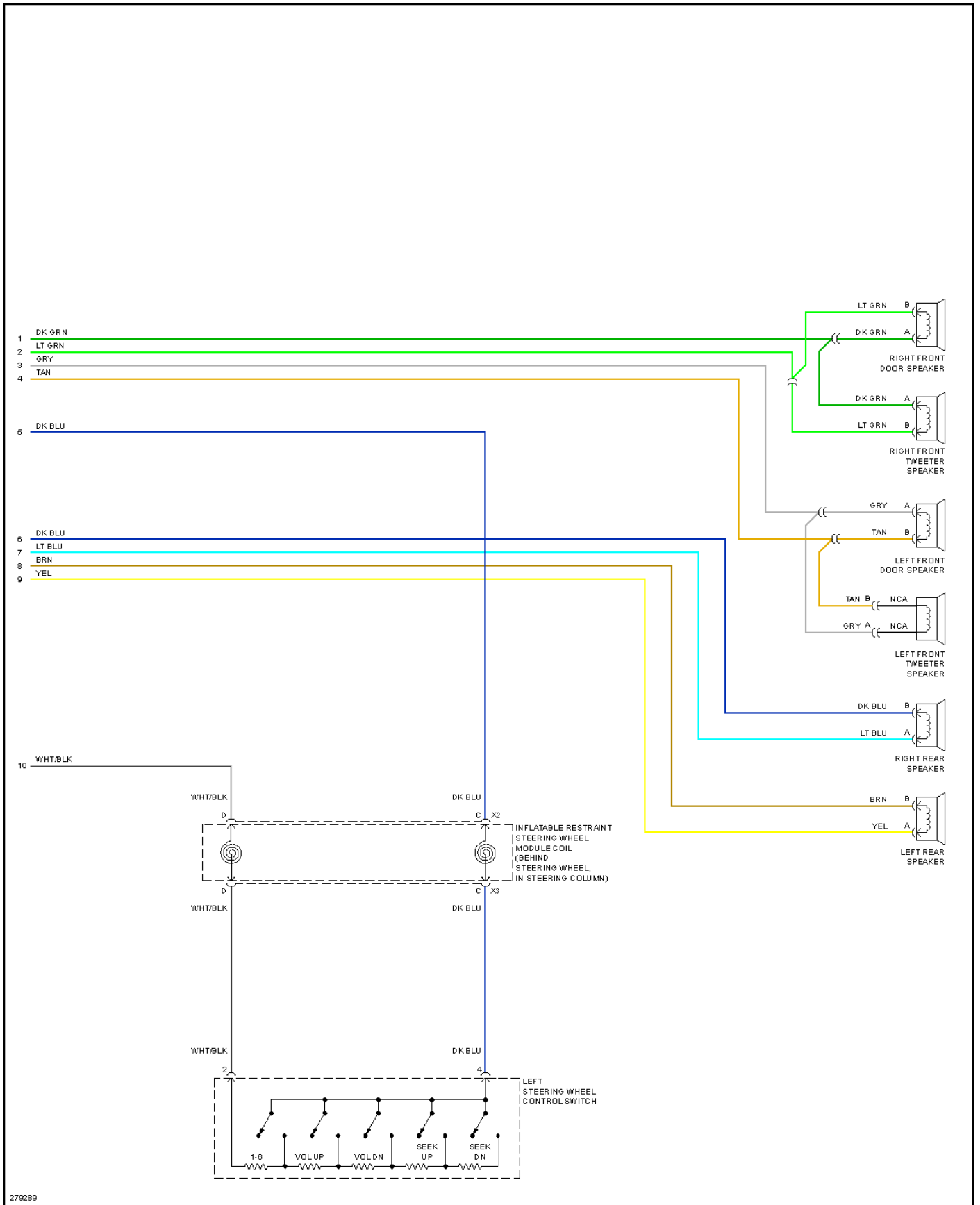


Fig. 73: Radio Circuit, Premium (1 of 2)



279289

Fig. 74: Radio Circuit, Premium (2 of 2)

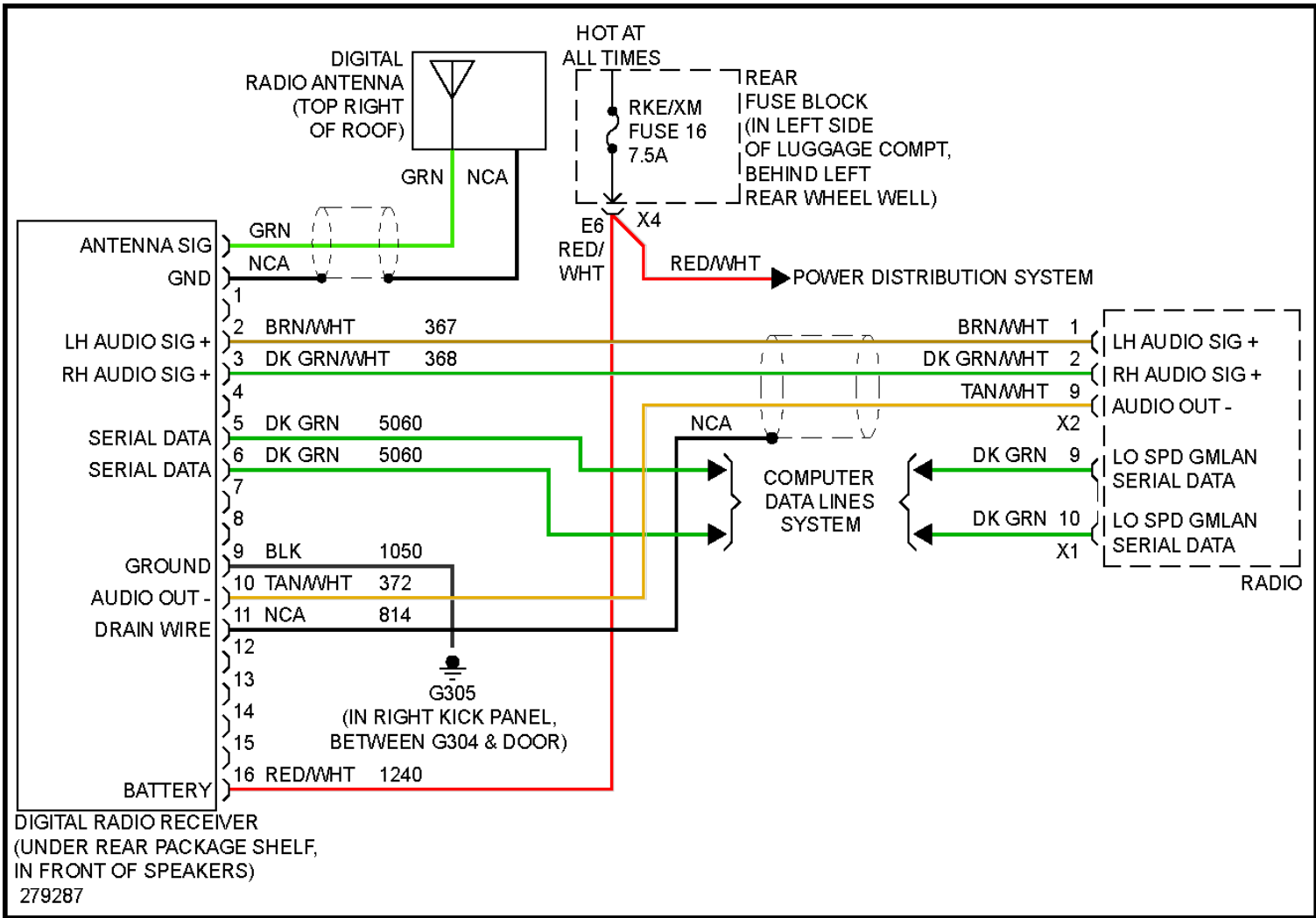


Fig. 75: Satellite Radio Circuit

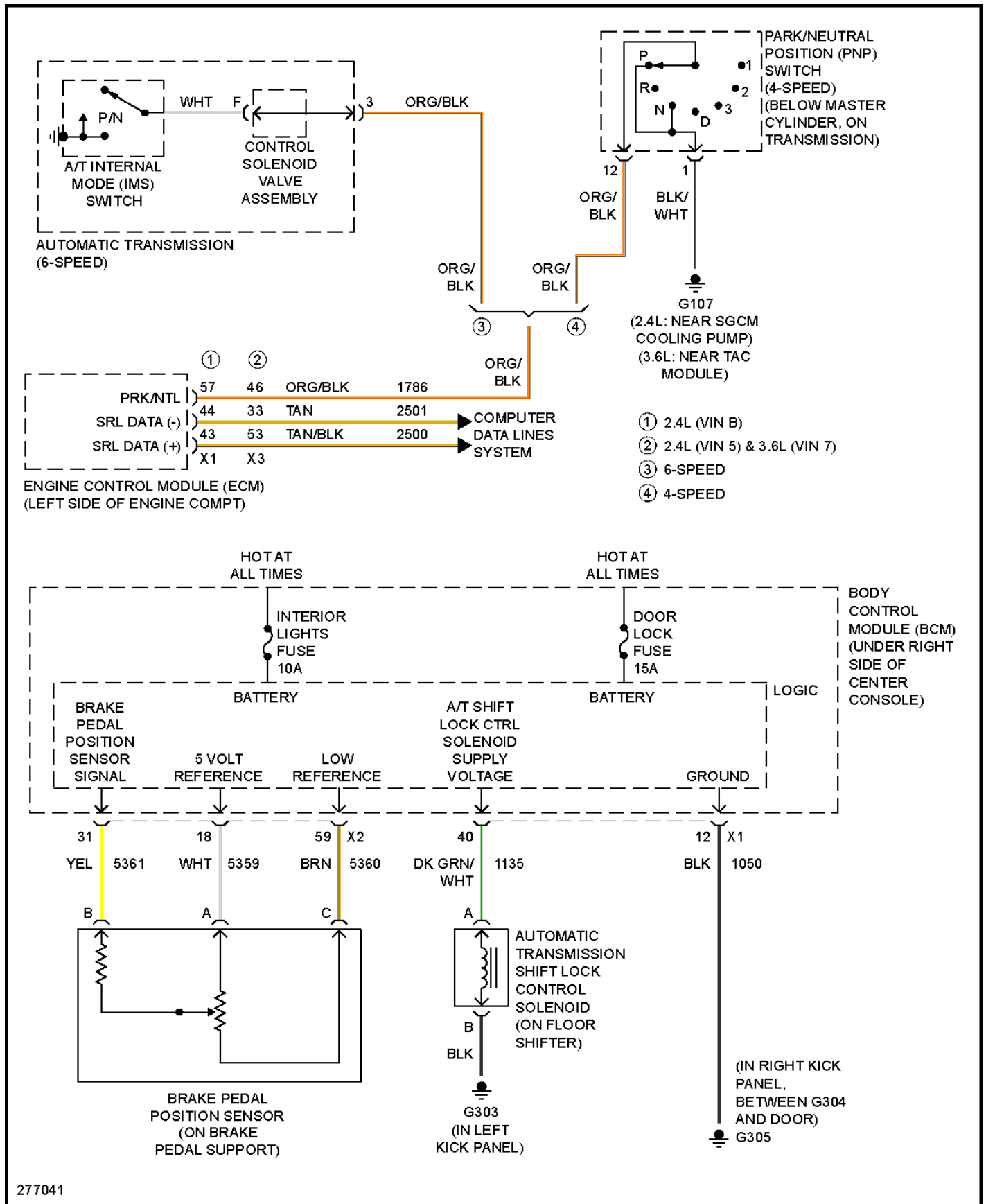


Fig. 76: Shift Interlock Circuit

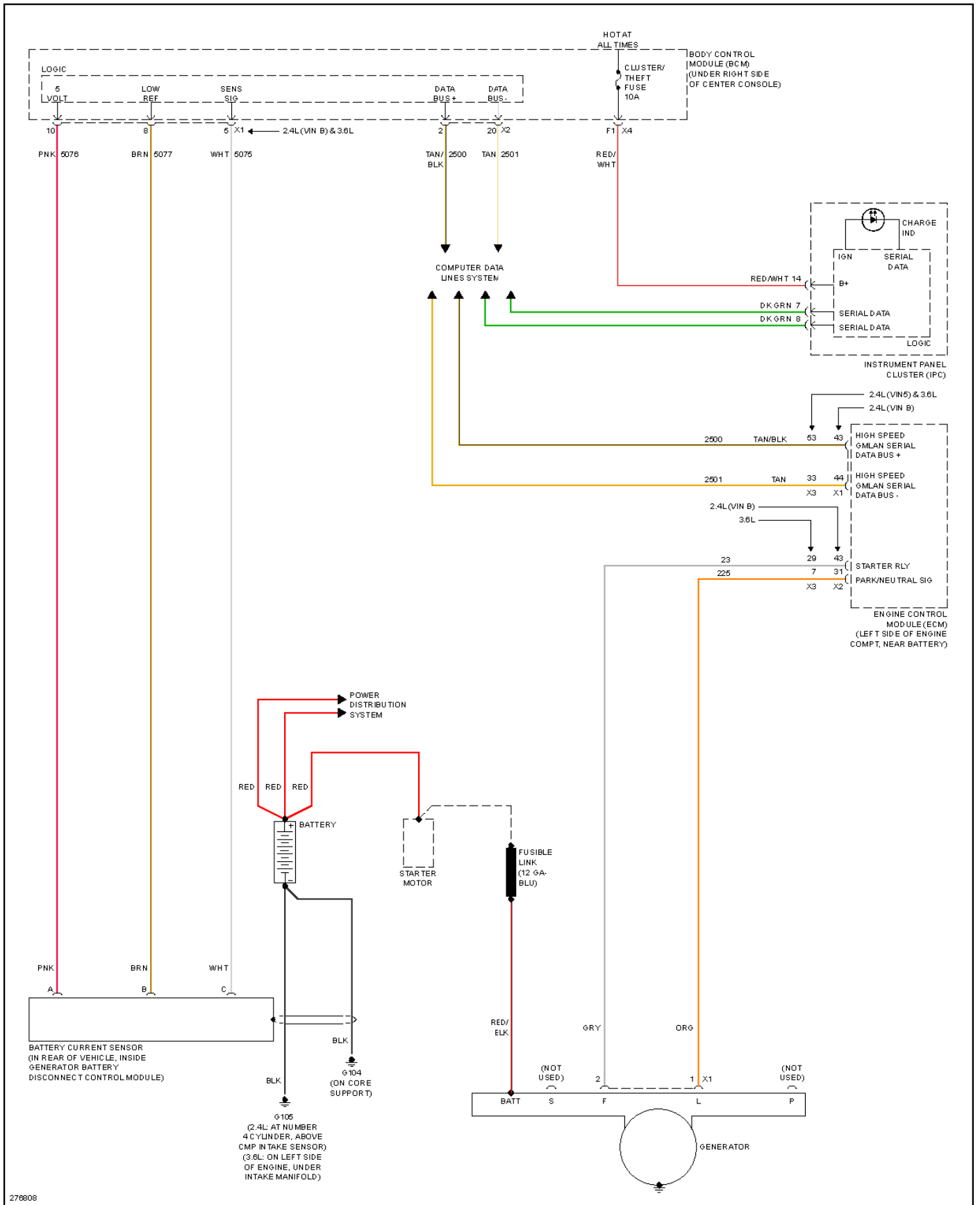


Fig. 77: Charging Circuit

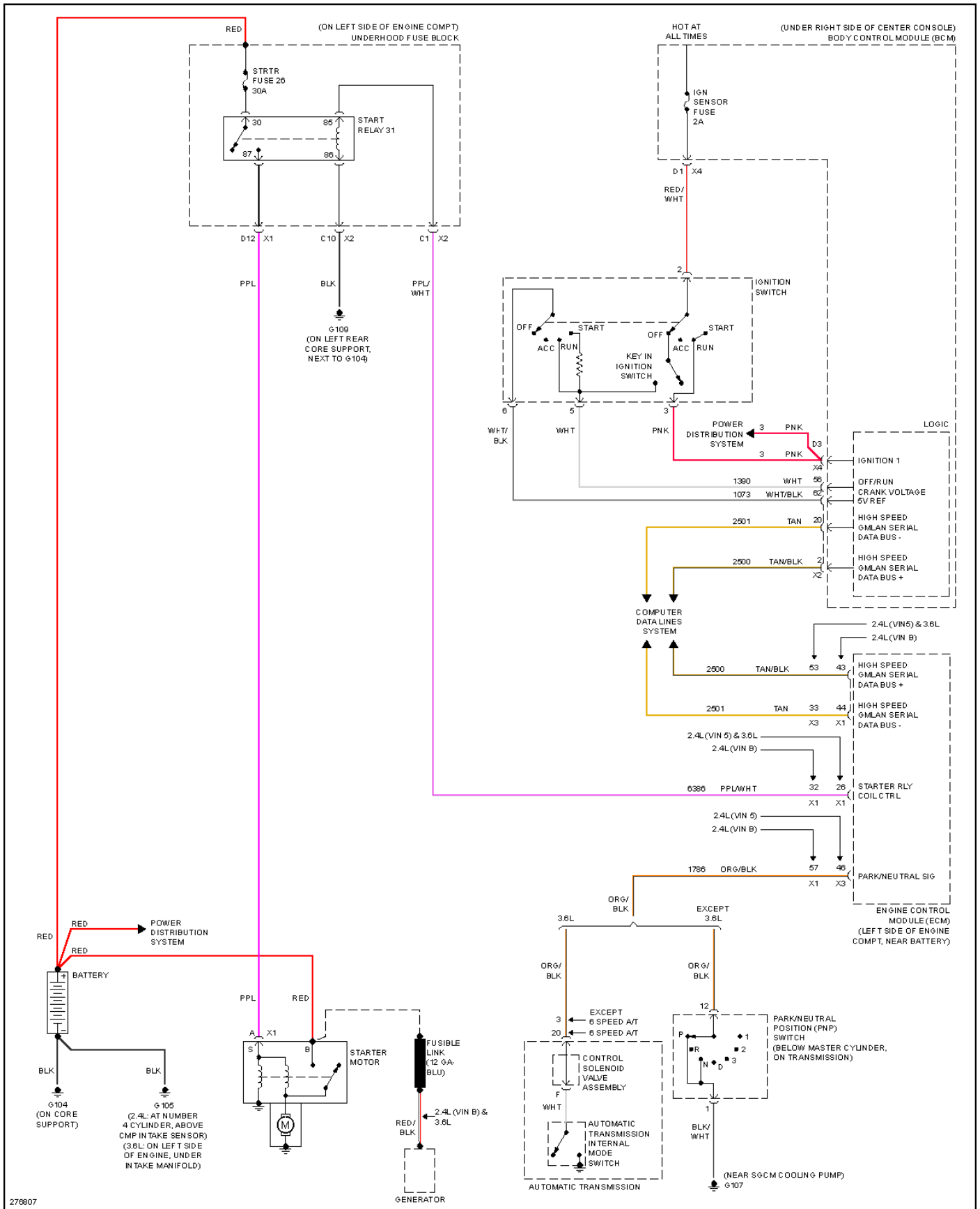


Fig. 78: Starting Circuit

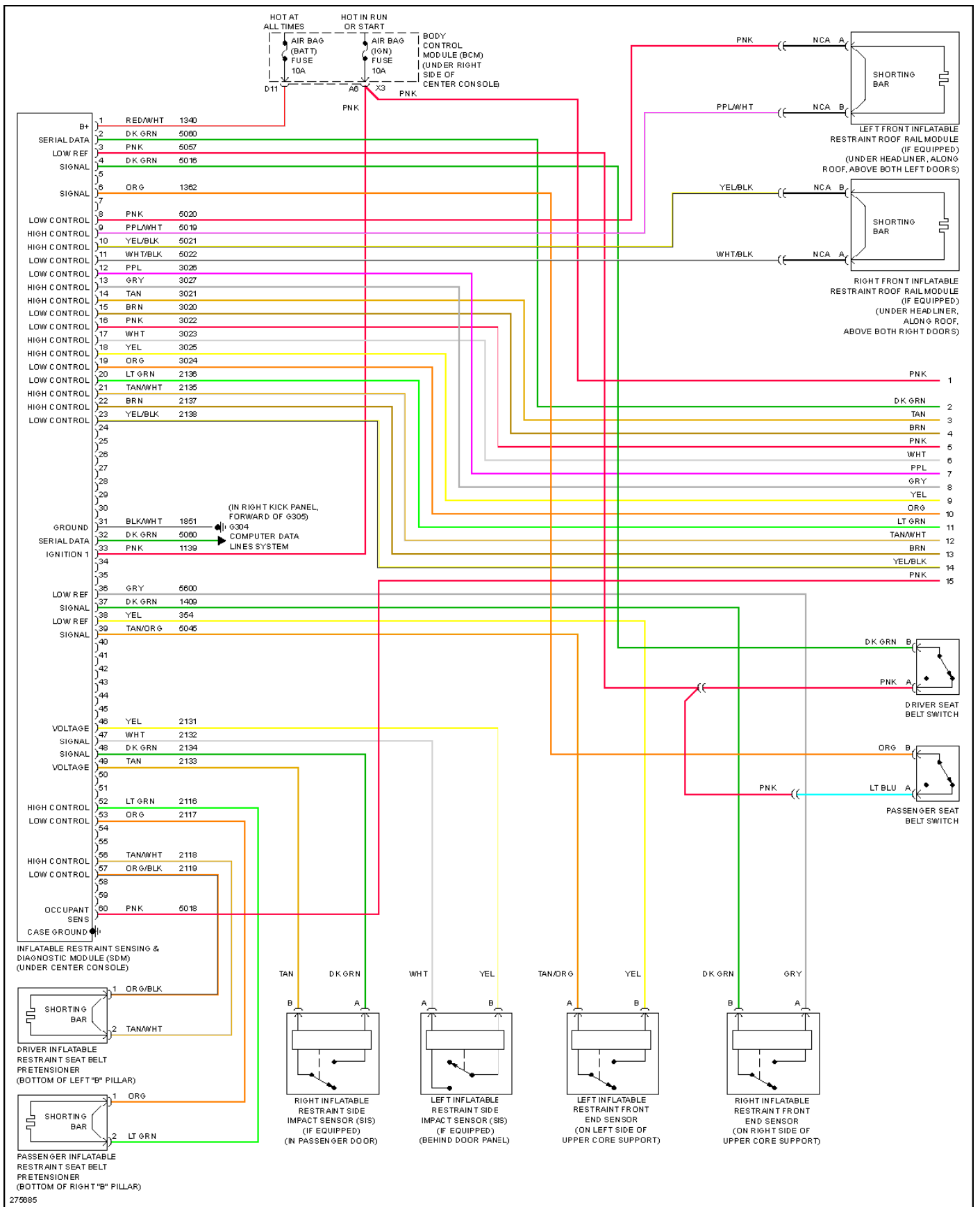
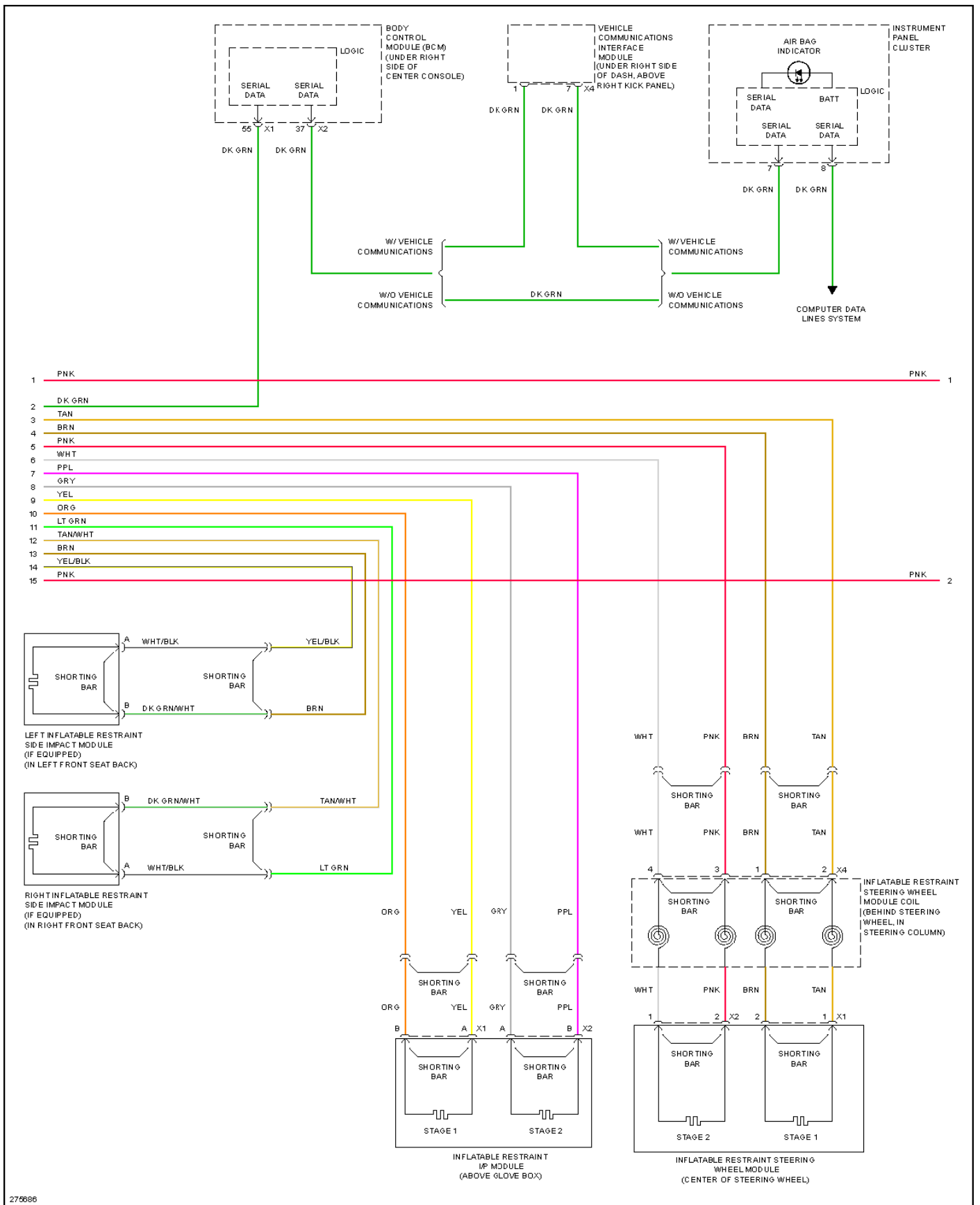


Fig. 79: Supplemental Restraints Circuit (1 of 3)



279686

Fig. 80: Supplemental Restraints Circuit (2 of 3)

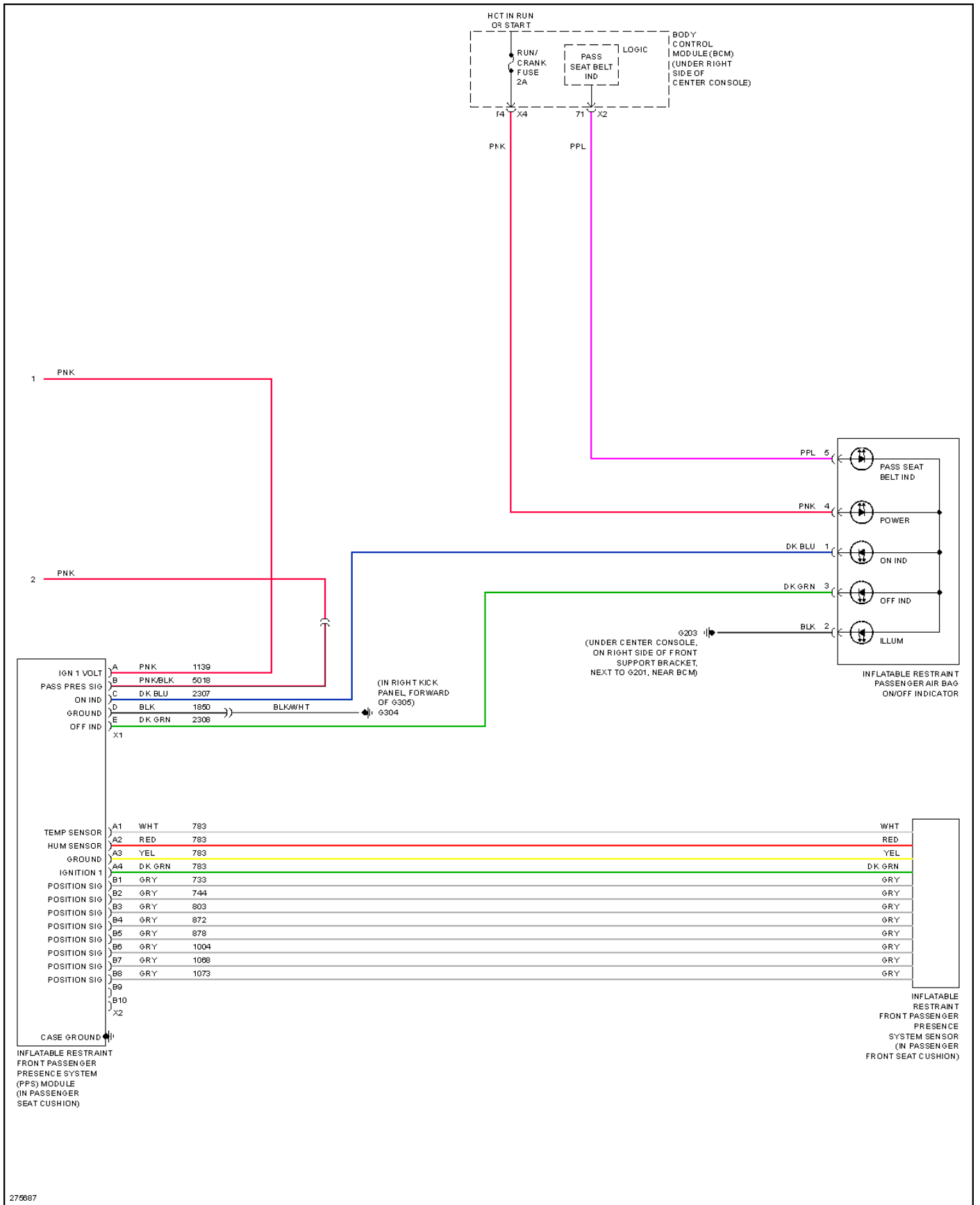


Fig. 81: Supplemental Restraints Circuit (3 of 3)

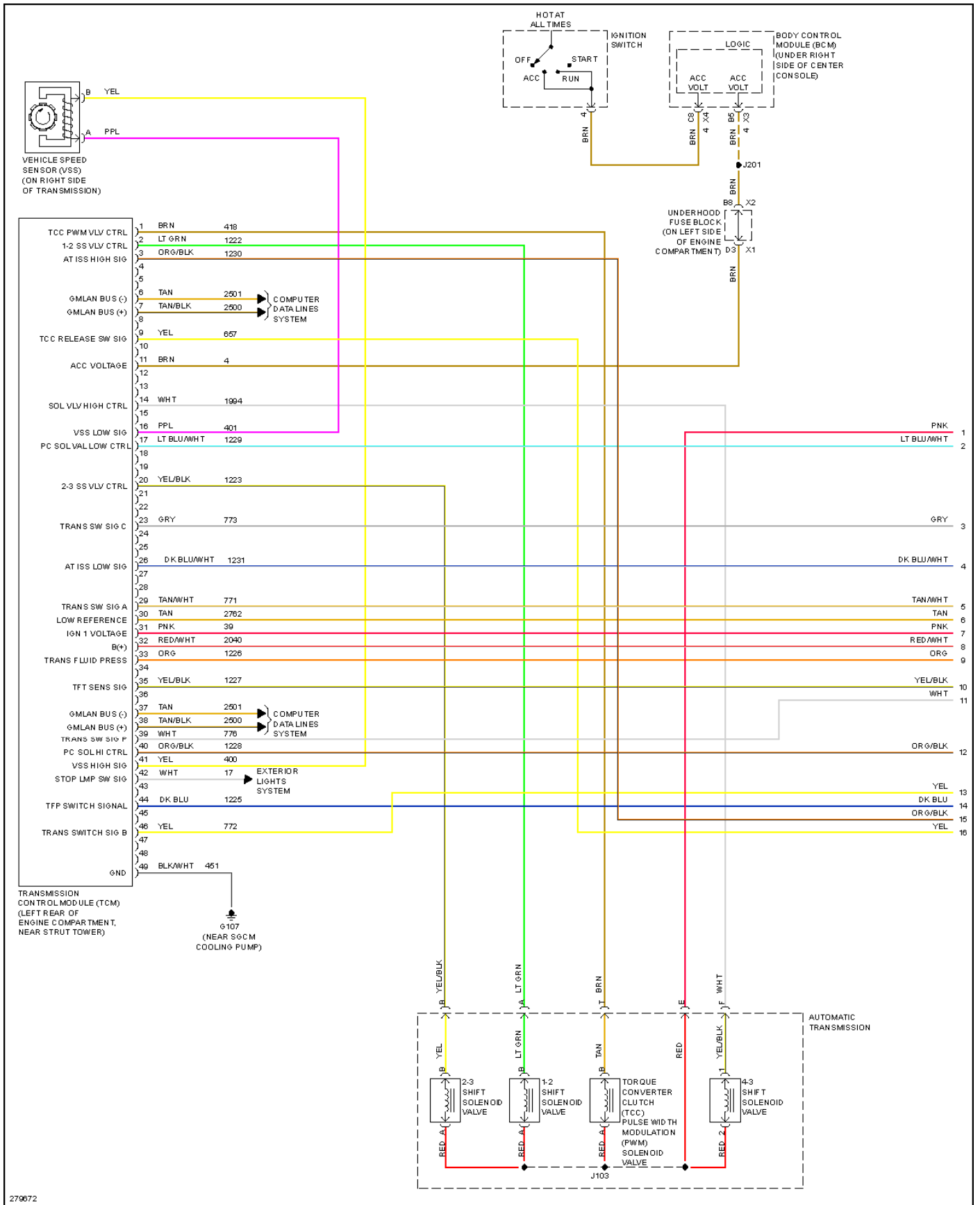


Fig. 82: 2.4L VIN 5, Transmission Circuit (1 of 2)

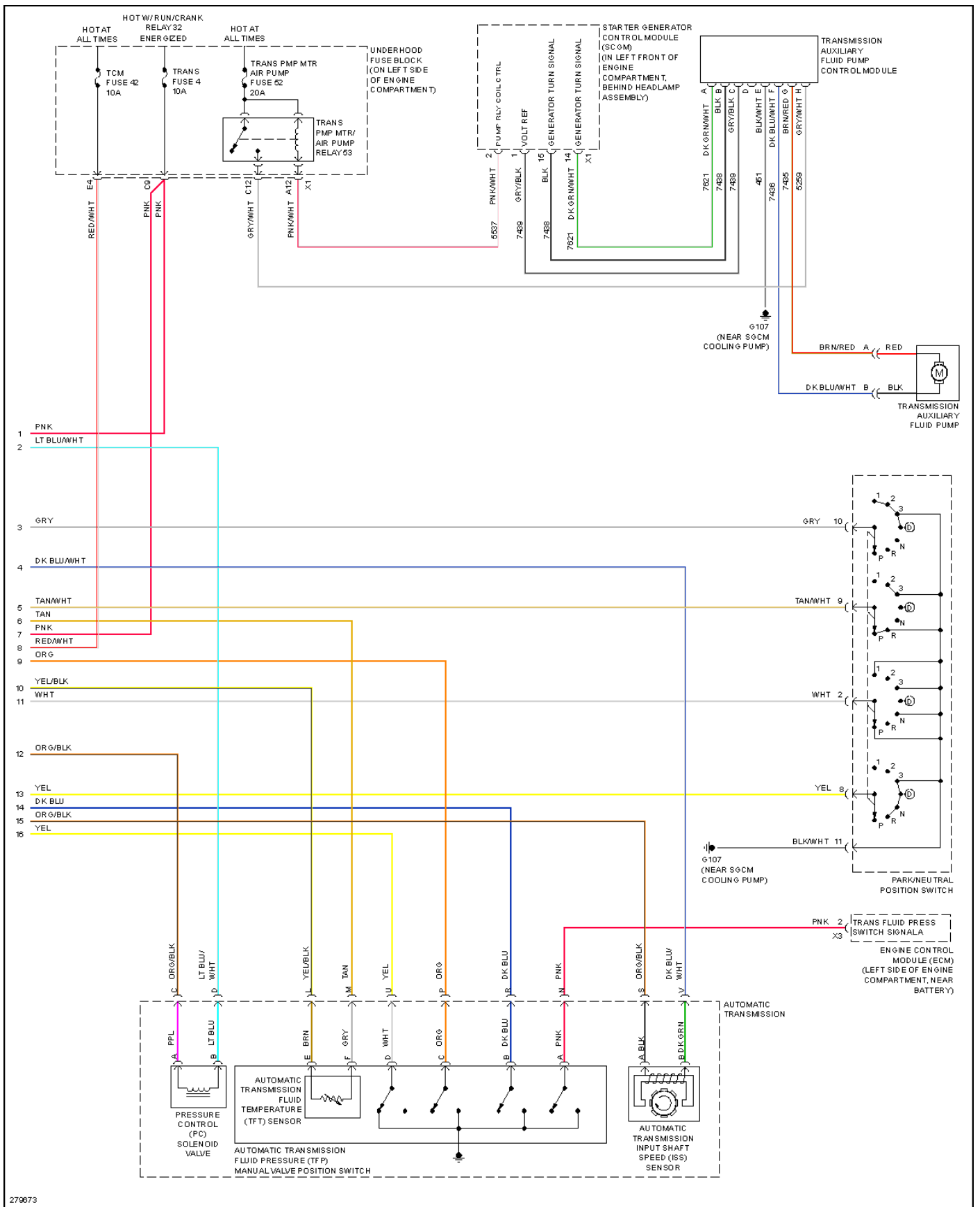


Fig. 83: 2.4L VIN 5, Transmission Circuit (2 of 2)

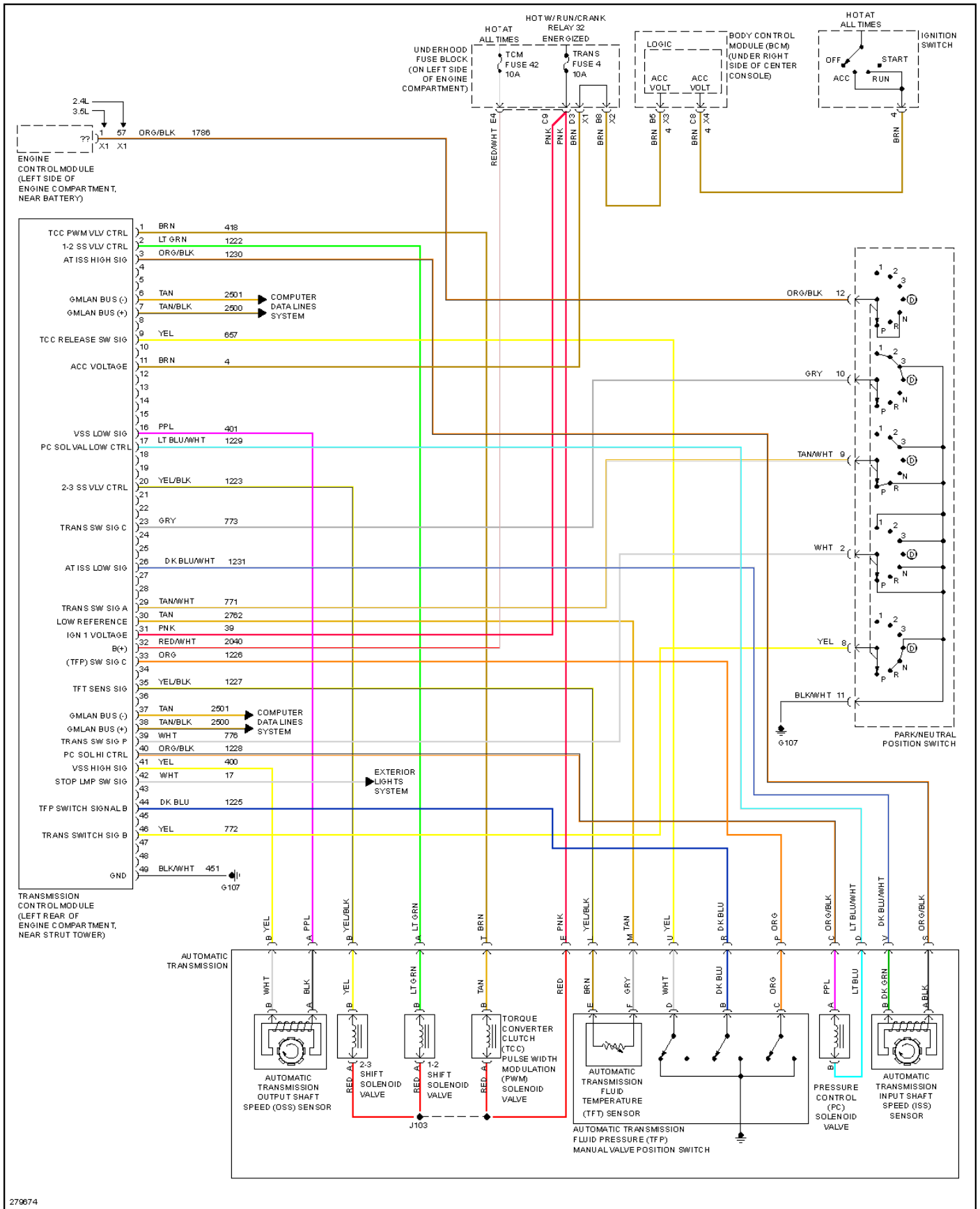
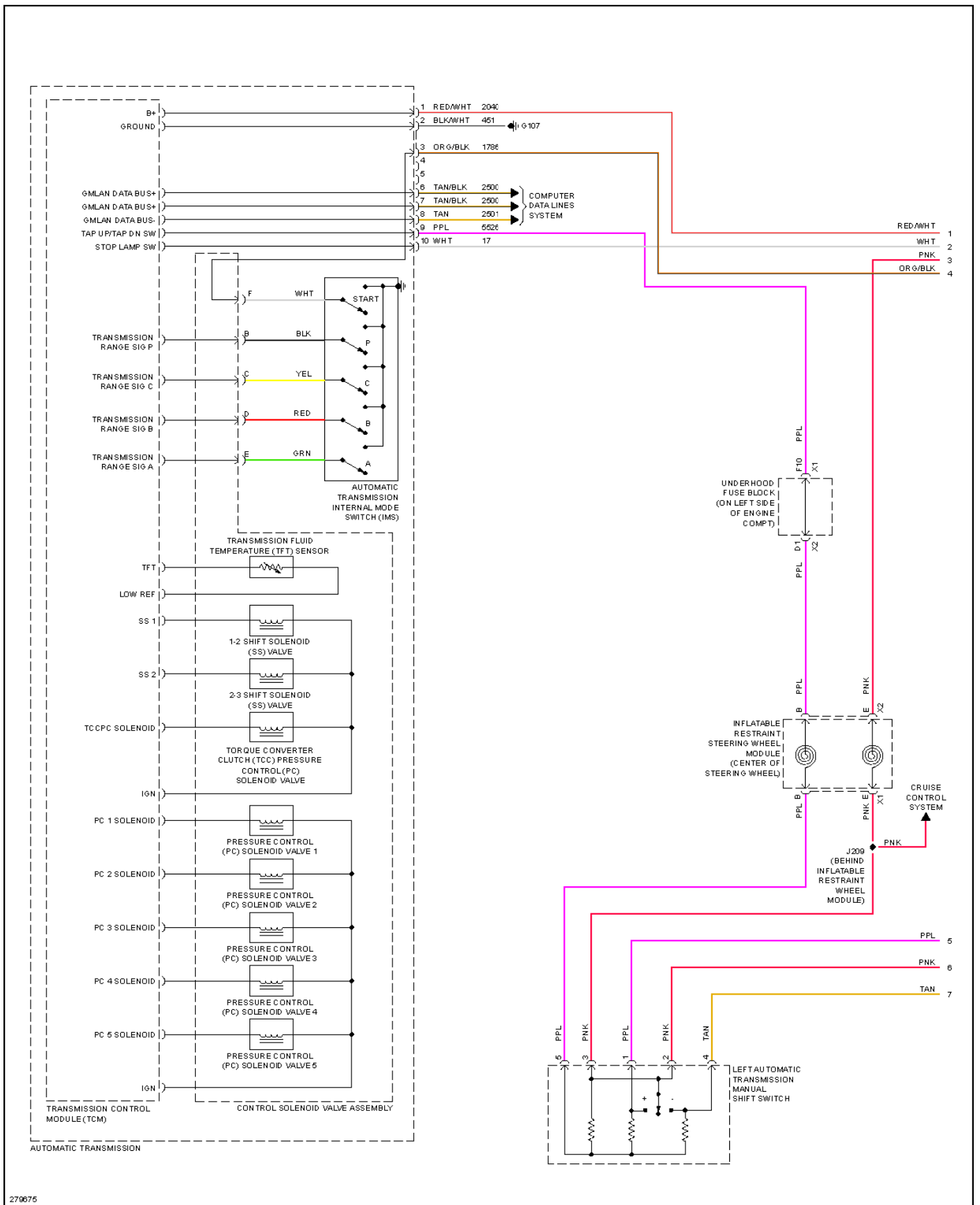
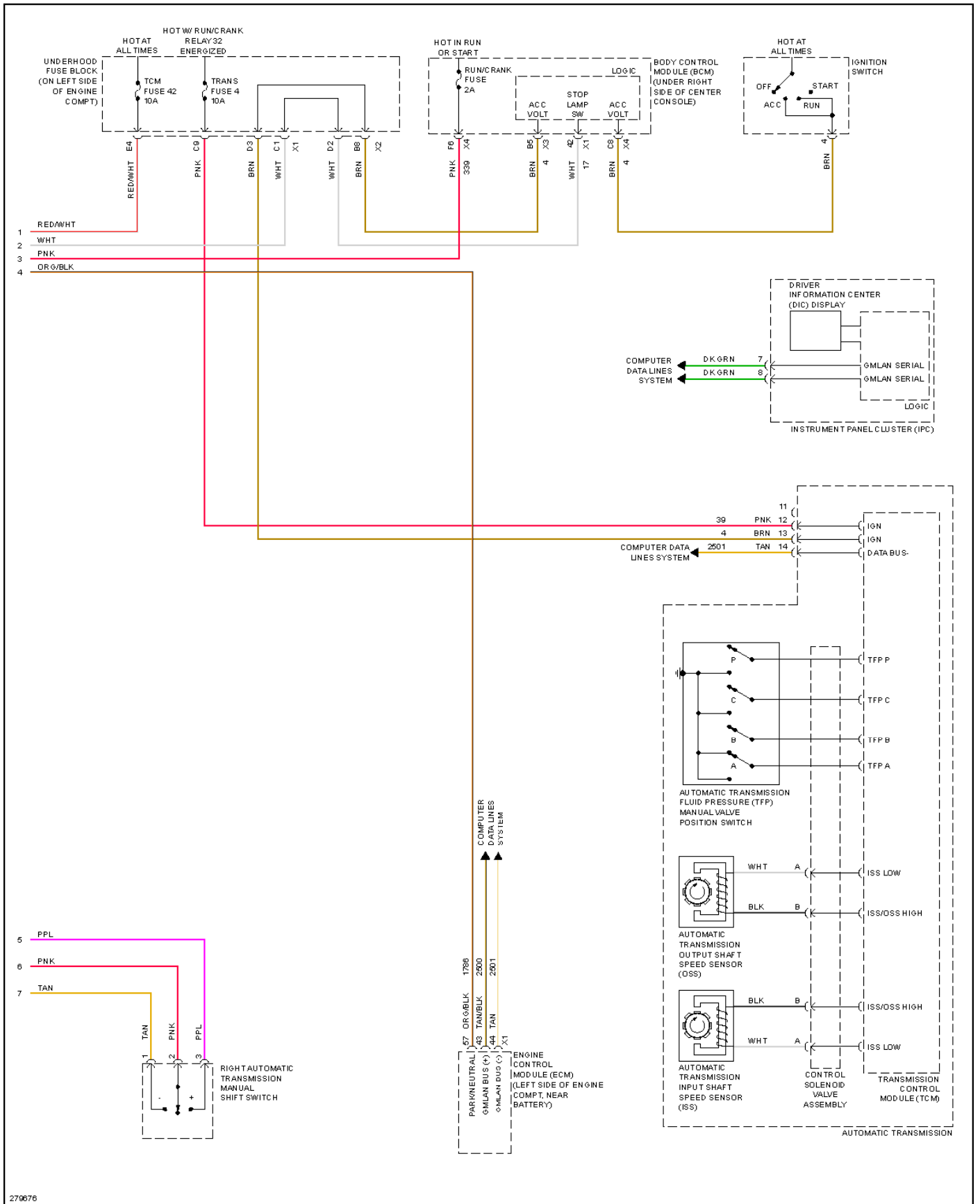


Fig. 84: 2.4L VIN B, Transmission Circuit, 4 Speed A/T



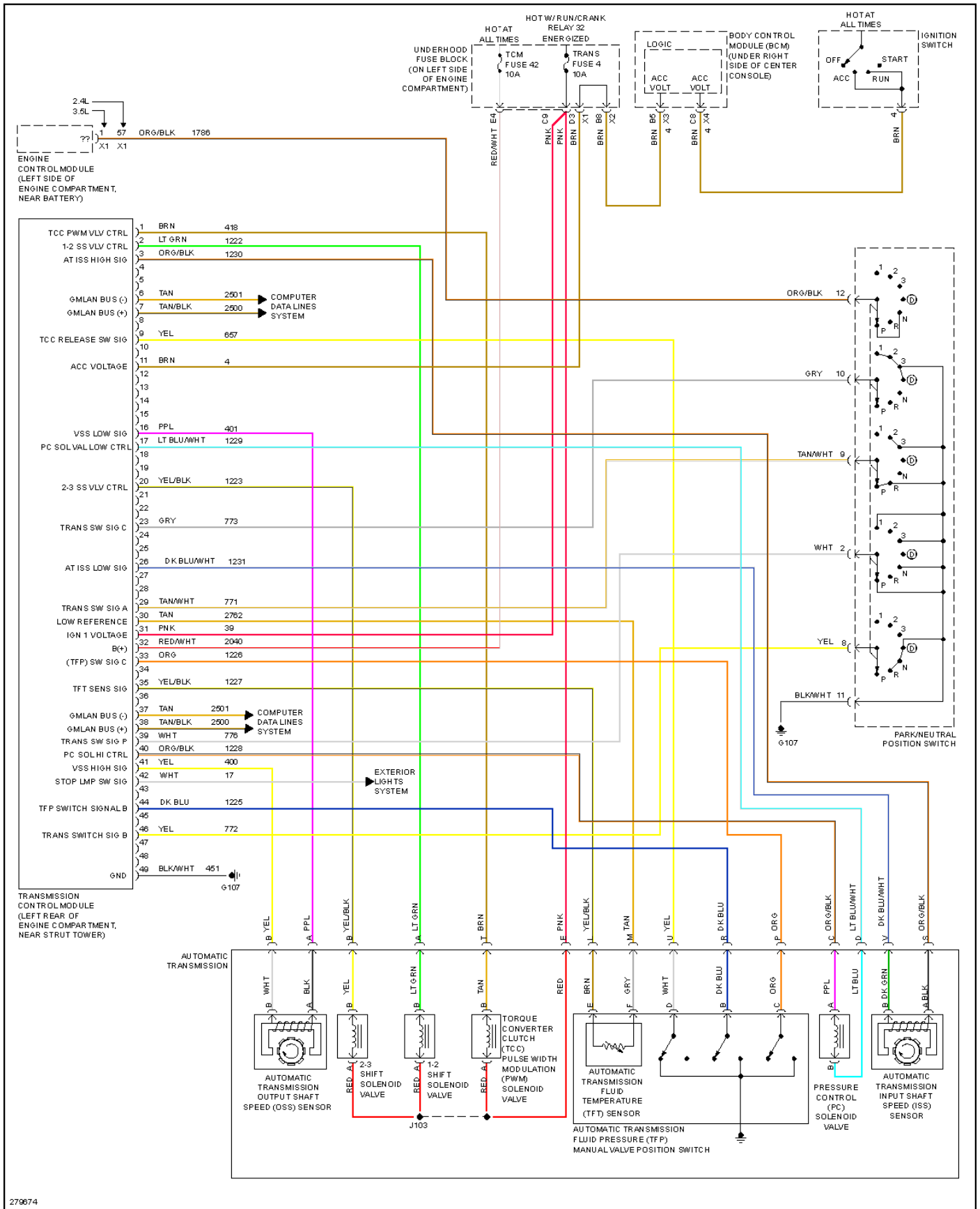
279675

Fig. 85: 2.4L VIN B, Transmission Circuit, 6 Speed A/T (1 of 2)



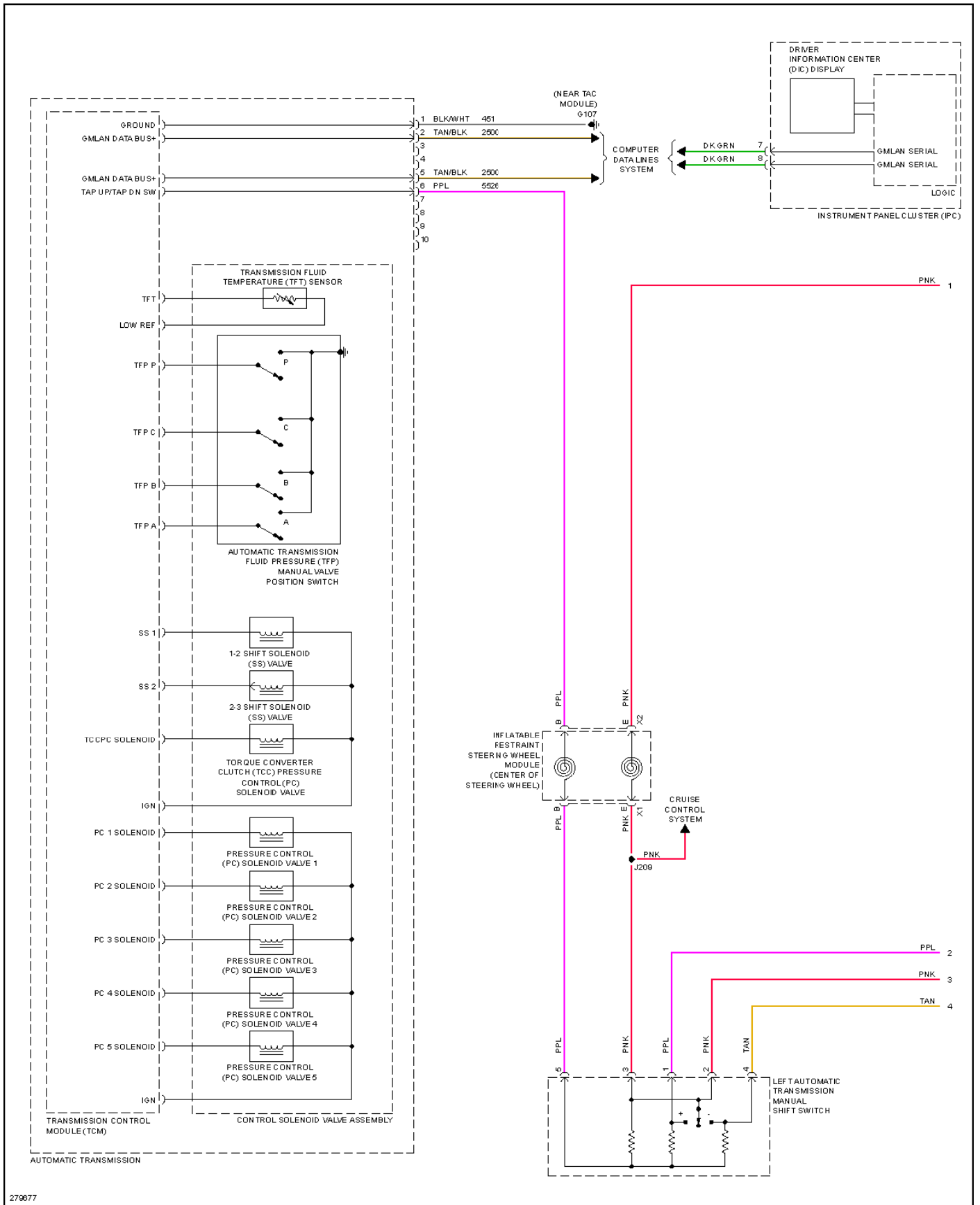
279676

Fig. 86: 2.4L VIN B, Transmission Circuit, 6 Speed A/T (2 of 2)



279674

Fig. 87: 3.5L VIN N, Transmission Circuit



279677

Fig. 88: 3.6L VIN 7, Transmission Circuit (1 of 2)

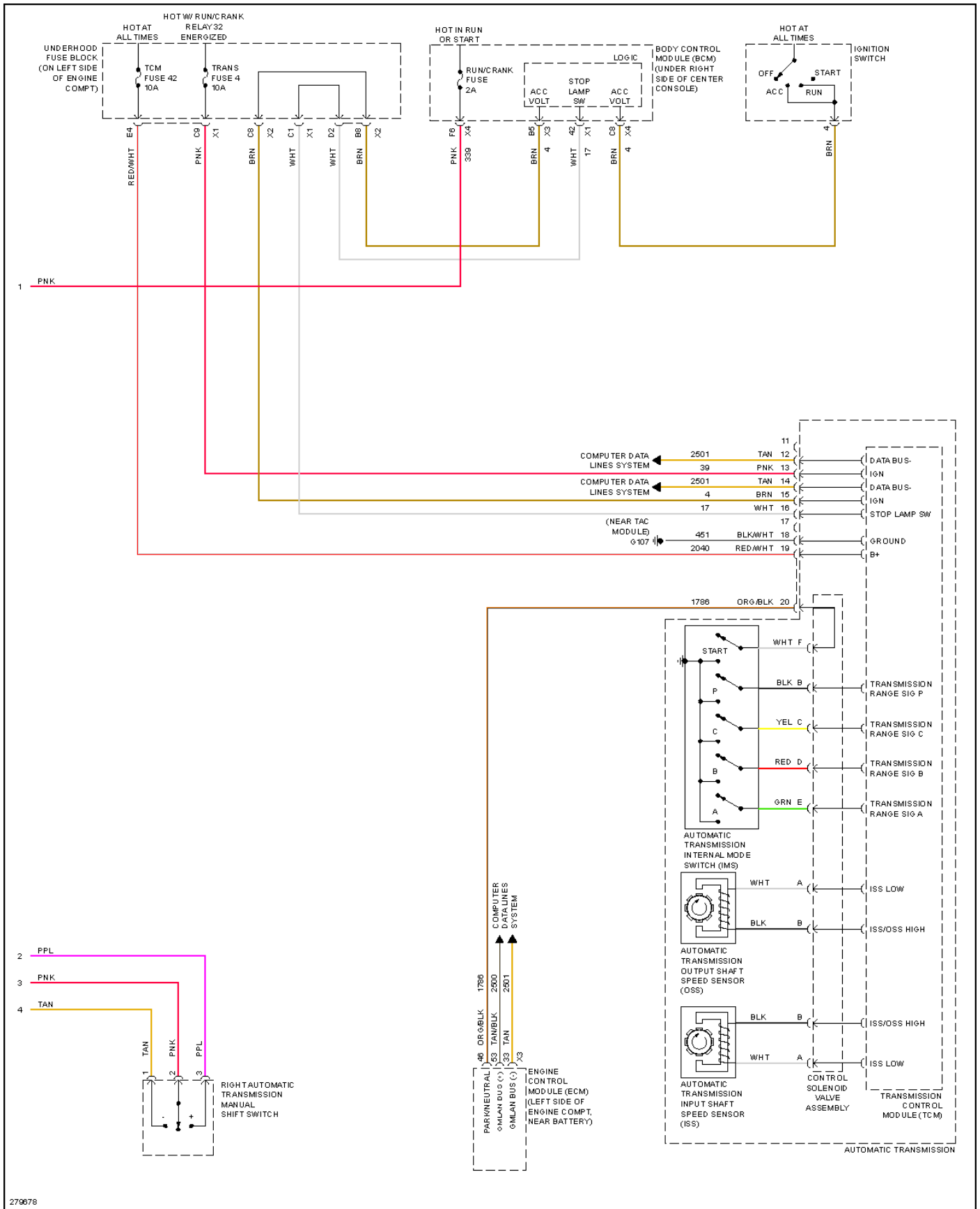


Fig. 89: 3.6L VIN 7, Transmission Circuit (2 of 2)

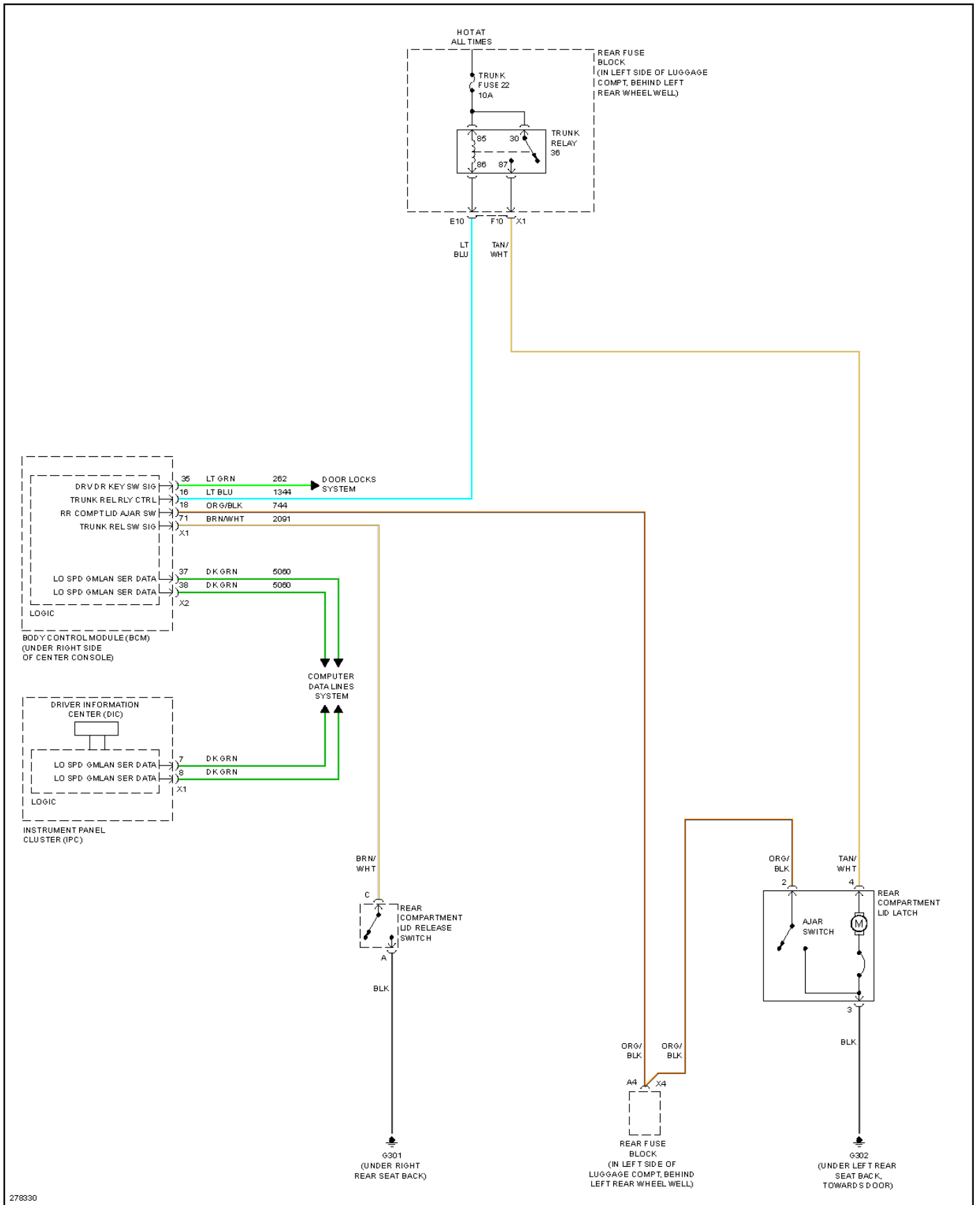


Fig. 90: Trunk/Tailgate Release Circuit

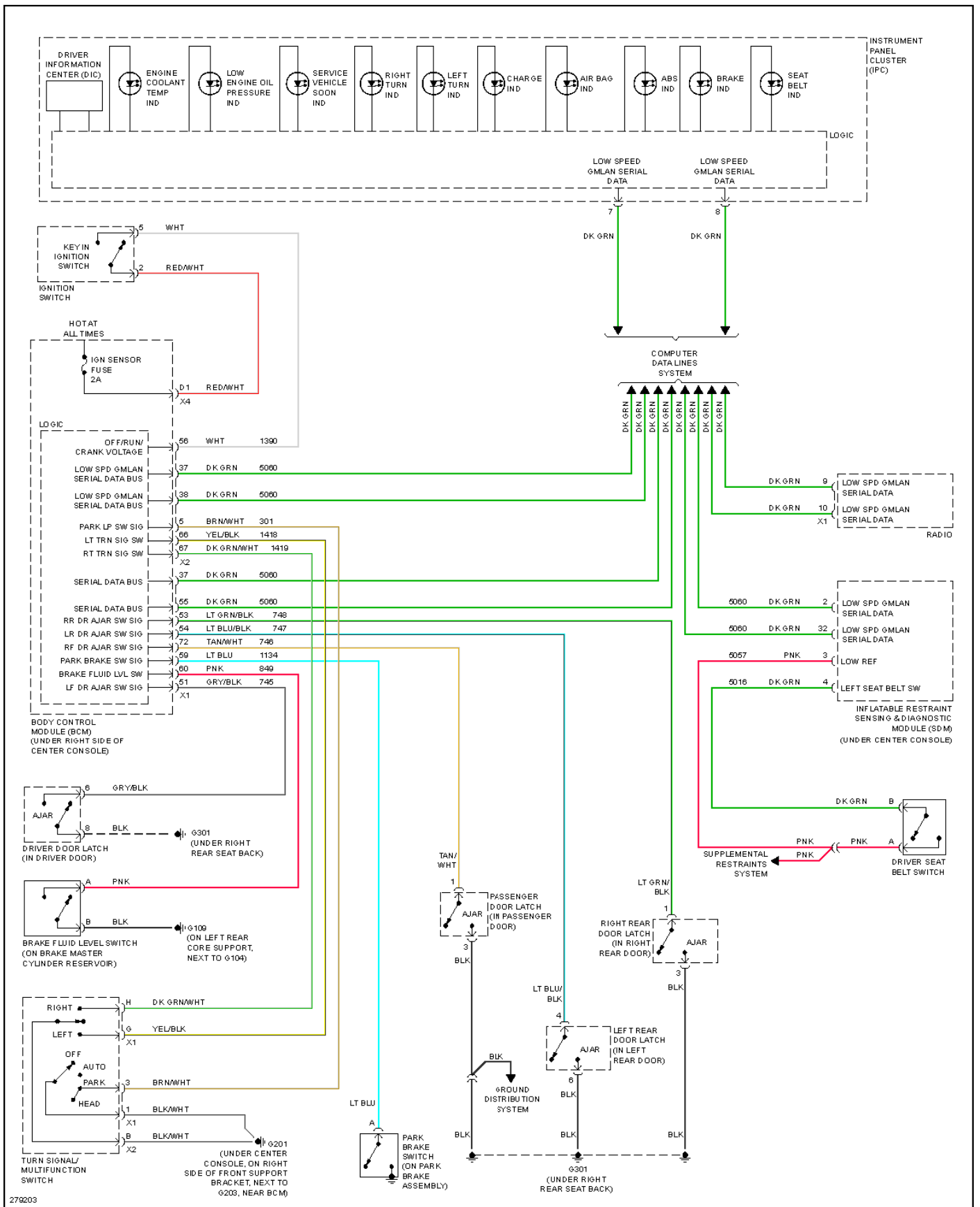
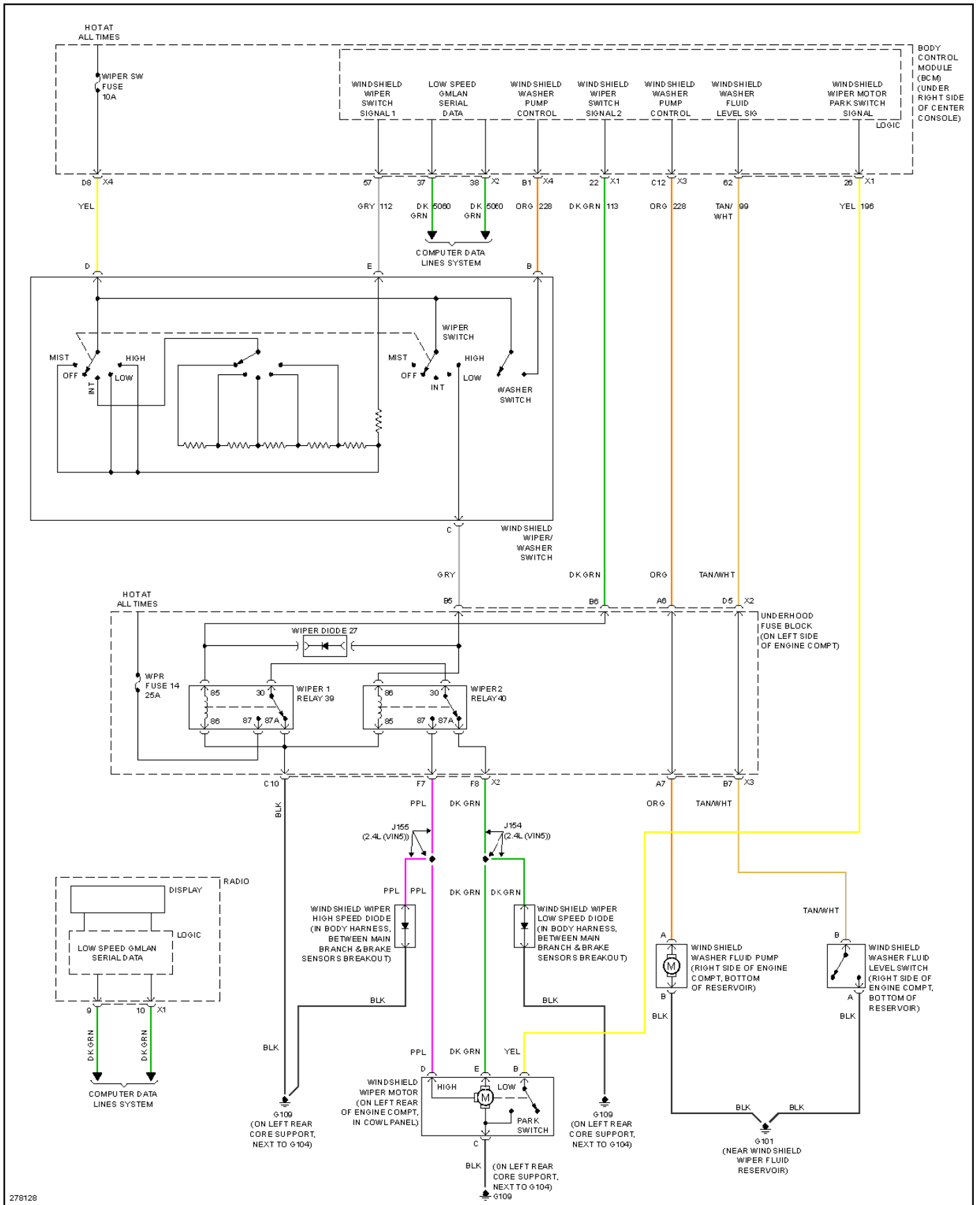


Fig. 91: Warning Systems Circuit



278128

Fig. 92: Wiper/Washer Circuit