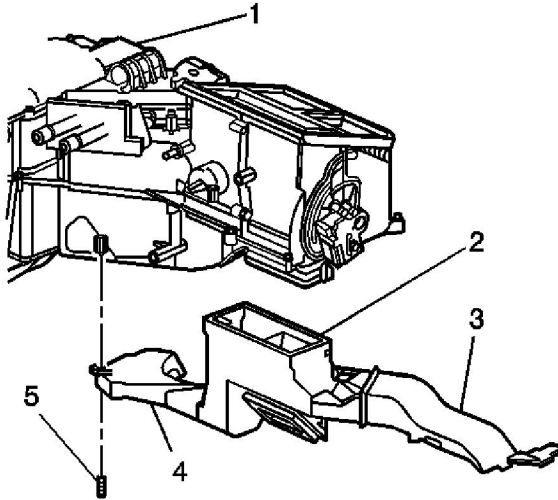


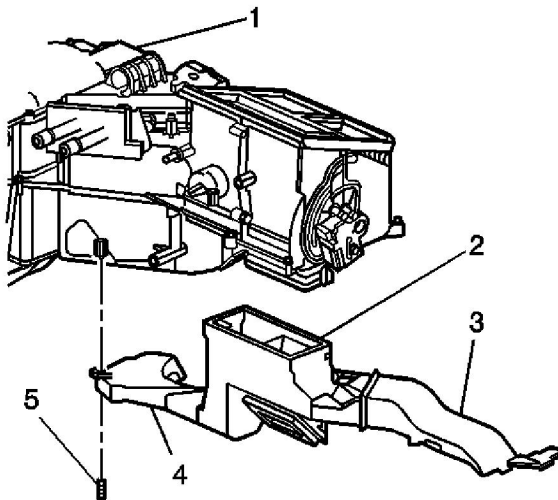
## Floor Air Outlet Duct Replacement - Left Side

### Removal Procedure



1. Remove the push pin (5) from the left floor air outlet duct (4).
2. Remove the left floor duct (1) from the HVAC module (2).

### Installation Procedure





1. Install the left floor air outlet duct (1) to the HVAC module (2).
2. Install the push pin (2) to the left floor air outlet duct .