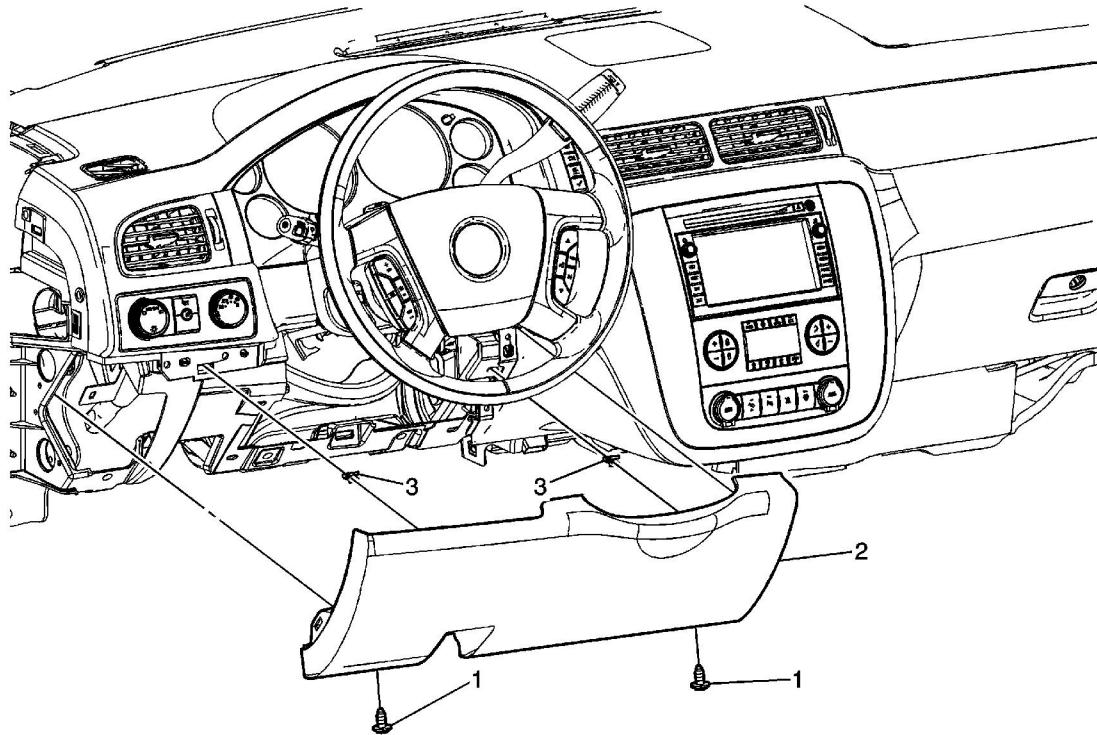


Knee Bolster Replacement (Except Cadillac)



Callout	Component Name
<p>Preliminary Procedures</p> <ol style="list-style-type: none"> 1. Remove the left instrument panel outer trim cover. Refer to Instrument Panel Outer Trim Cover Replacement. 2. Remove the park brake release handle. Refer to Parking Brake Release Handle Assembly Replacement. 	
1	<p>Knee Bolster Assembly Screws (Qty: 2)</p> <p>Notice: Refer to Fastener Notice in the Preface section.</p> <p>Tighten 2 N·m (18 lb in)</p>
2	<p>Knee Bolster Assembly</p> <p>Procedure</p> <ol style="list-style-type: none"> 1. Disconnect the electrical connections. If applicable. 2. When replacing the knee bolster assembly, transfer all necessary components.
<p>© 2014 General Motors Corporation. All rights reserved.</p>	

3	Retainer Clips (Qty: 4)
---	-------------------------