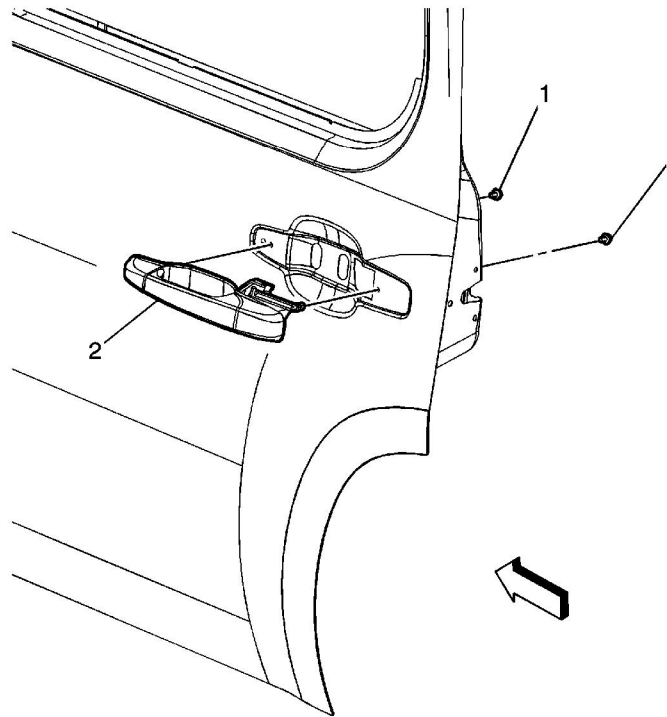


## Rear Side Door Outside Handle Replacement



Callout	Component Name
<b>Preliminary Procedures</b>	
1. Remove the door trim panel. Refer to <a href="#">Rear Side Door Trim Panel Replacement</a> . 2. Remove the water deflector. Refer to <a href="#">Rear Side Door Water Deflector Replacement</a> .	
1	Rear Side Door Outside Handle Bolt (Qty: 2)  <b>Notice:</b> Refer to <a href="#">Fastener Notice</a> in the Preface section.  <b>Tip</b>  1. Release the outside handle rod from the lock retainer clip. 2. Release the lock cylinder rod from the door lock. 3. Remove to outside door handle with the rod attached.  <b>Tighten</b> 9 N·m (80 lb in)
2	Rear Side Door Outside Handle  <b>Tip</b>

Transfer the handle rod to the new handle.