

2007 Cadillac Escalade

2007 ACCESSORIES & EQUIPMENT Bumpers and Fascias - Avalanche, Escalade, Suburban, Tahoe & Yukon

STEP PAD REPLACEMENT - REAR BUMPER (ALL UTILITY, CADILLAC ESV)

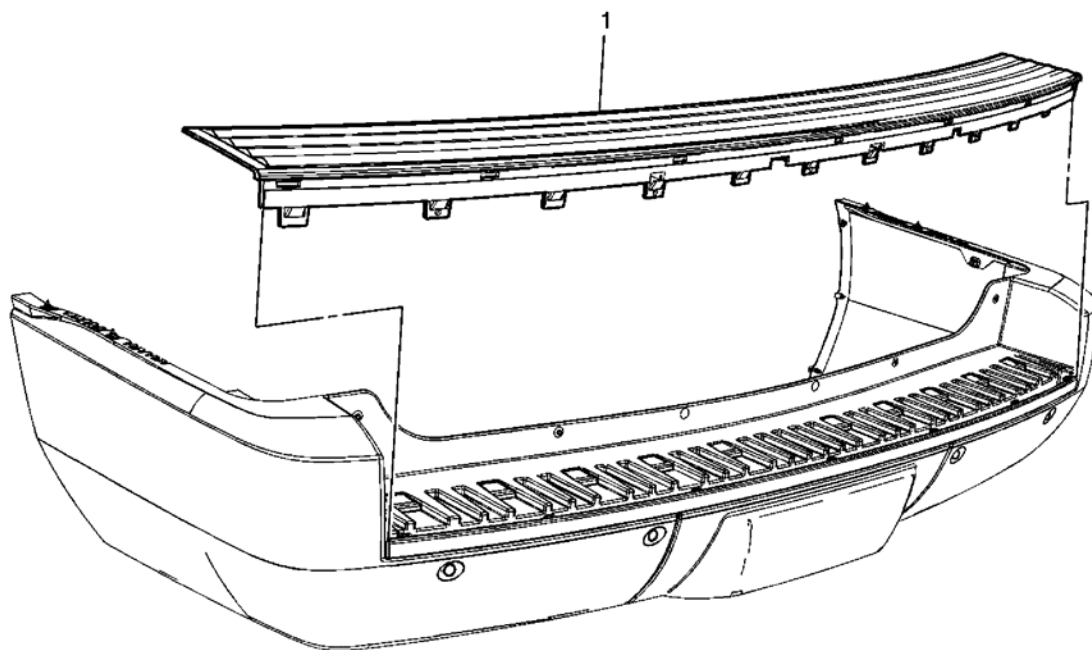


Fig. 21: View Of Rear Fascia Step Pad
Courtesy of GENERAL MOTORS CORP.

Step Pad Replacement - Rear Bumper (All Utility, Cadillac ESV)

Callout	Component Name
Preliminary Procedure: Remove the rear bumper fascia. Refer to <u>Rear Bumper Fascia Replacement (All Utility, Cadillac ESV)</u> or <u>Rear Bumper Fascia Replacement (Avalanche, Cadillac EXT)</u> .	
1	Rear Fascia Step Pad Tip: Remove the chrome trim piece and use a trim panel removal tool to gently pry the pad upwards. It may be necessary to reach under the backside of the fascia and squeeze the pad clips to assist in the release.

STEP PAD REPLACEMENT - CENTER REAR BUMPER (AVALANCHE, CADILLAC EXT)