

2007 Cadillac Escalade

2007 ACCESSORIES & EQUIPMENT Wipers and Washers - Avalanche, Escalade, Suburban, Tahoe & Yukon

1. Remove the fixed antenna, if equipped. Refer to **Fixed Antenna Replacement (Avalanche/Escalade EXT)** .
2. Remove the windshield wiper arms. Refer to **Wiper Arm Replacement**.
3. Remove the rear hood seal. Refer to **Hood Rear Seal Replacement** .

1	Air Inlet Panel End Panel
2	Air Inlet Panel Retainer (Qty: 2)
3	Air Inlet Panel Screw (Qty: 2) NOTE: Refer to <u>Fastener Notice</u> . Tighten: 9 N.m (80 lb in)
4	Air Inlet Panel Clip
5	Air Inlet Panel

WIPER ARM REPLACEMENT

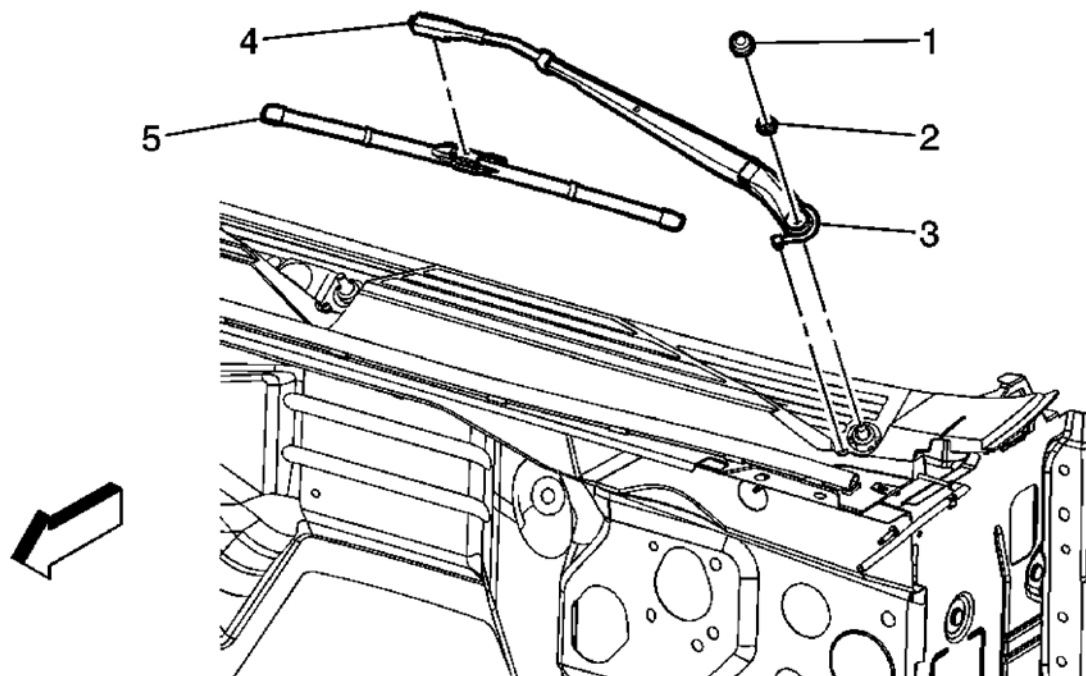


Fig. 35: View Of Windshield Washer Blade Assembly & Components
 Courtesy of GENERAL MOTORS CORP.

Wiper Arm Replacement

Callout	Component Name
Preliminary Procedure:	

2007 Cadillac Escalade

2007 ACCESSORIES & EQUIPMENT Wipers and Washers - Avalanche, Escalade, Suburban, Tahoe & Yukon

Open the hood in order to access and remove the wiper arm assembly.

1	Windshield Washer Arm Finish Cap Tip: Use a small flat-bladed tool to remove the finish cap.
2	Windshield Washer Arm Nut NOTE: Refer to <u>Fastener Notice</u> . Tighten: Tighten the nut to 35 N.m (26 lb ft) while holding the wiper blade arm to the vertical black bar target mark located at the lower portion of the windshield.
3	Windshield Washer Arm Hose Tip: Rotate the hose clockwise around the end of the washer wiper arm upon installation.
4	Windshield Washer Arm Assembly Tip: Use the J 39637 Wiper Arm Remover Tool. See <u>Special Tools</u> .
5	Windshield Washer Blade Assembly Tip: Pinch the 2 outer tabs on the arm, rotate the blade rearward and slide the blade forward to release the wiper blade from the wiper arm assembly.

WIPER ARM BLADE REPLACEMENT