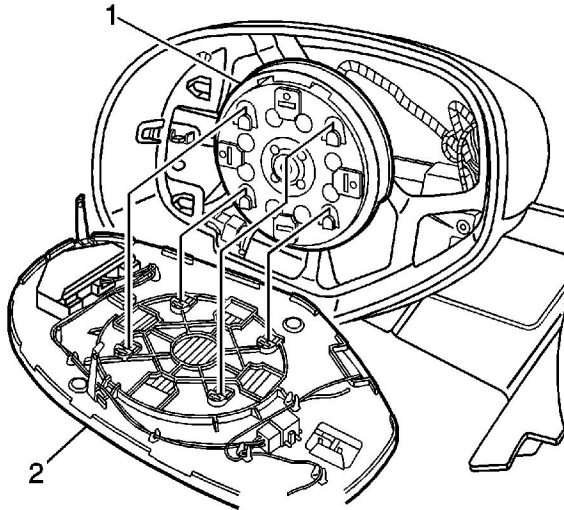
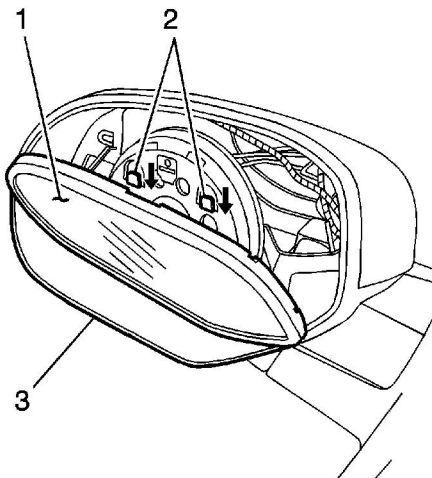


Important: If the actuator ring is on the motor/actuator go to step 3. If the actuator ring is off do steps 1, 2.

1. Install the motor/actuator ring (1) to the actuator (2), ensure that the actuator tabs (3) are in line with the motor/actuator ring.



2. Place the motor/actuator ring (1) in the center of the motor/actuator (2), press inward until fully seated.
3. Connect the electrical connectors to the mirror lens.



4. Install the mirror lens as follows:
 - 4.1. Push the lower center of the mirror motor actuator ring inward.
 - 4.2. Position the mirror lens (1) on the mirror motor/actuator ring retaining tabs (2).
 - 4.3. Place your hand on the back of the mirror housing (3).

- 4.4. Push downward using your hand on the mirror lens (1) until it is locks onto the retaining tabs (2).
- 4.5. Remove the masking tape from the lower edge of the mirror housing.
5. Inspect the mirror for proper operation.