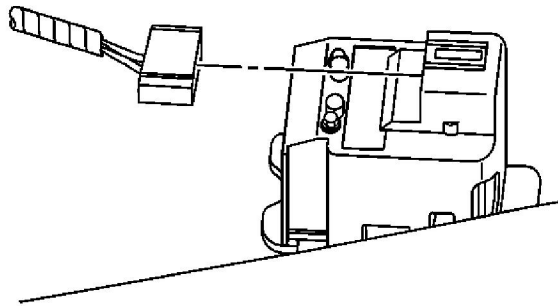


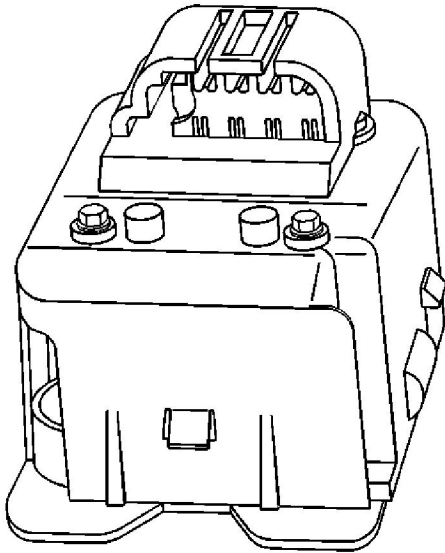
# Inside Air Temperature Sensor Replacement

## Removal Procedure

1. Remove the left windshield garnish molding. Refer to [Windshield Pillar Garnish Molding Replacement](#).
2. Remove the left center pillar assist handle. Refer to [Roof Rail Rear Assist Handle Replacement](#).
3. Remove the left center pillar garnish molding. Refer to [Center Pillar Garnish Molding Replacement](#).
4. Remove the left sunshade. Refer to [Sunshade Replacement](#).
5. Gently pull down the headliner.



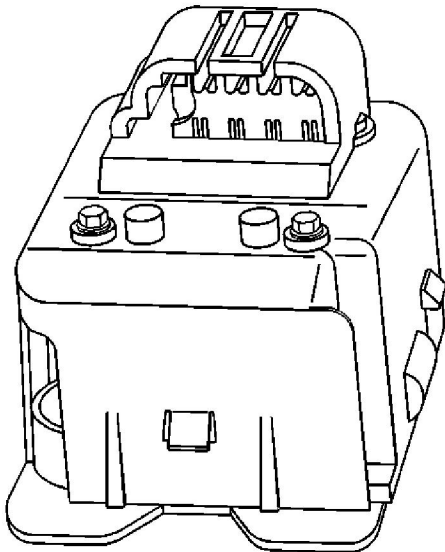
6. Disconnect the electrical connector from the inside air temperature sensor.
7. Partially remove the inside air temperature sensor from the headliner.
8. Remove the sensor grille from the inside air temperature sensor.



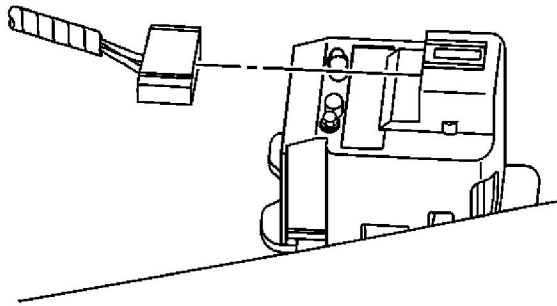
9. Remove the inside air temperature sensor from the headliner.

## **Installation Procedure**

1. Install the new sensor grille to the headliner.



2. Install the inside air temperature sensor to the headliner and sensor grille.



3. Connect the electrical connector to the inside air temperature sensor.
4. Install the left sunshade. Refer to [Center Pillar Garnish Molding Replacement](#) .
5. Install the left center pillar garnish molding. Refer to [Center Pillar Garnish Molding Replacement](#) .
6. Install the left center assist handle. Refer to [Roof Rail Rear Assist Handle Replacement](#) .
7. Install the left windshield garnish molding. Refer to [Windshield Pillar Garnish Molding Replacement](#) .