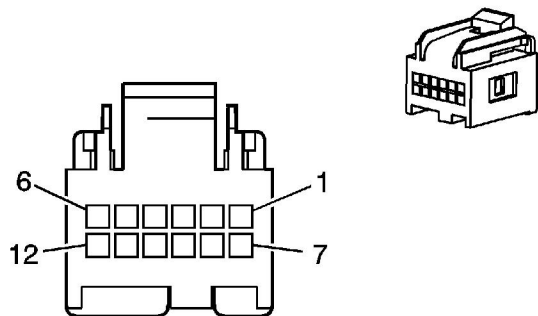


Object Detection Connector End Views

- Connector 1: [I/P Multifunction Switch Assembly \(X88/Z88\)](#)
- Connector 2: [Information Center Telltale Assembly \(UD7\)](#)
- Connector 3: [Object Sensor - Left Rear Corner \(UD7\)](#)
- Connector 4: [Object Sensor - Left Rear Middle \(UD7\)](#)
- Connector 5: [Object Sensor - Right Rear Corner \(UD7\)](#)
- Connector 6: [Object Sensor - Right Rear Middle \(UD7\)](#)
- Connector 7: [Object Alarm Module C1 \(UD7\)](#)
- Connector 8: [Object Alarm Module C2 \(UD7\)](#)
- Connector 9: [Rearview Camera \(UVC\)](#)
- Connector 10: [Rear View Camera Image Display Module \(UVC\)](#)
- Connector 11: [Traction Control/Rear Object Detection Switch \(Z75\)](#)

I/P Multifunction Switch Assembly (X88/Z88)



Connector Part Information

- | OEM: 13551678
- | Service: 89047364
- | Description: 12-Way F Receptacle 0.64 Series (BK)

Terminal Part Information

- | Terminal/Tray: SAITS-A03T-M064/14
- | Core/Insulation Crimp: P/P
- | Release Tool/Test Probe: J-38125-215/J-35616-64B (L-BU)

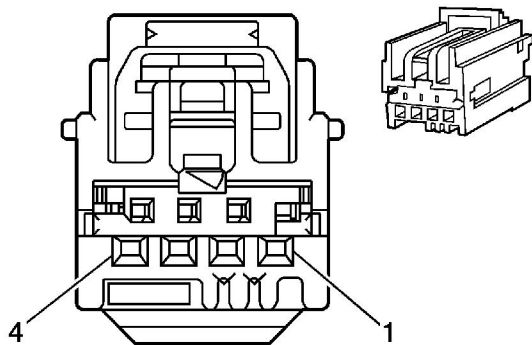
I/P Multifunction Switch Assembly (X88/Z88)

Pin	Wire Color	Circuit No.	Function
1	L-BU	1788	Traction Control Switch Signal (JD9)
2	GY	2555	Rear Park Assist Disable Signal (UD7)

© 2013 General Motors Corporation. All rights reserved.

3	BK	1850	Ground
4	YE	6817	LED Backlight Dimming Control
5	BN	5852	Rear Park Assist LED Disable Signal (UD7)
6	PU/WH	6816	Indicator Dimming Control
7	L-GN	6096	Washer Fluid Heated Control Switch Signal (XA7)
8	D-BU/WH	5970	Washer Fluid Heated Control Switch LED Supply Voltage (XA7)
9	TN/WH	7462	Running Board Disable Signal (BRS)
10	OG/BK	5285	Adjustable Pedals Motor Rearward Control (JF4)
11	YE/BK	5813	Park Enable Supply Voltage (JF4)
12	PU	5286	Adjustable Pedals Motor Forward Control (JF4)

Information Center Telltale Assembly (UD7)



Connector Part Information

- | OEM: 15491295
- | Service: 19149305
- | Description: 4-Way F Receptacle 0.64 Series (BK)

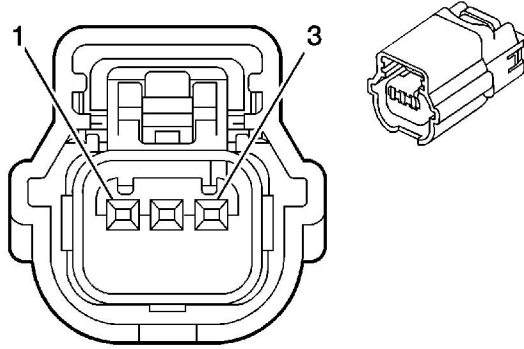
Terminal Part Information

- | Terminal/Tray: SAITS-A03T-M064/14
- | Core/Insulation Crimp: P/P
- | Release Tool/Test Probe: J-38125-215/J-35616-64B (L-BU)

Information Center Telltale Assembly (UD7)

Pin	Wire Color	Circuit No.	Function
1	WH	2370	Telltale Assembly Supply Voltage
2	OG	2371	Left Amber Indicator Control
3	D-BU	2372	Center Amber Indicator Control
4	GY	2373	Red Indicator Control

Object Sensor - Left Rear Corner (UD7)



Connector Part Information

- | OEM: 13521095
- | Service: 88988337
- | Description: 3-Way F Sealed Series (GN)

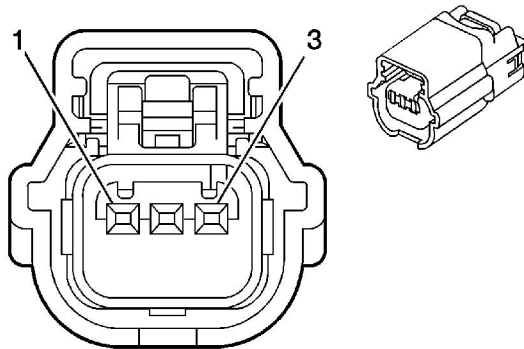
Terminal Part Information

- | Terminal/Tray: SAITS-A03T-M064/14
- | Core/Insulation Crimp: P/P
- | Release Tool/Test Probe: J-38125-215/J-35616-64B (L-BU)

Object Sensor - Left Rear Corner (UD7)

Pin	Wire Color	Circuit No.	Function
1	D-BU	2374	Object Sensor Supply Voltage
2	GY	2379	Object Sensor Low Reference
3	YE	2375	Left Rear Corner Object Sensor Signal

Object Sensor - Left Rear Middle (UD7)



Connector Part Information

- | OEM: 13521095
- | Service: 88988337
- | Description: 3-Way F Sealed Series (GN)

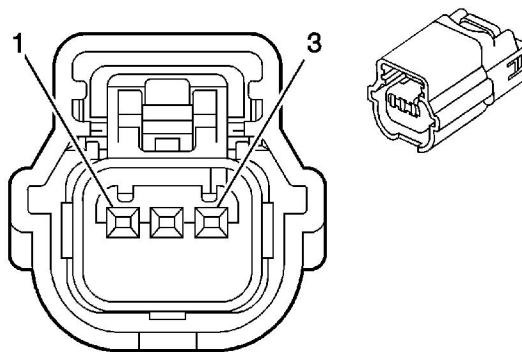
Terminal Part Information

- | Terminal/Tray: SAITS-A03T-M064/14
- | Core/Insulation Crimp: P/P
- | Release Tool/Test Probe: J-38125-215/J-35616-64B (L-BU)

Object Sensor - Left Rear Middle (UD7)

Pin	Wire Color	Circuit No.	Function
1	D-BU	2374	Object Sensor Supply Voltage
2	GY	2379	Object Sensor Low Reference
3	OG	2376	Left Rear Middle Object Sensor Signal

Object Sensor - Right Rear Corner (UD7)



Connector Part Information

- | OEM: 13521095
- | Service: 88988337
- | Description: 3-Way F Sealed Series (GN)

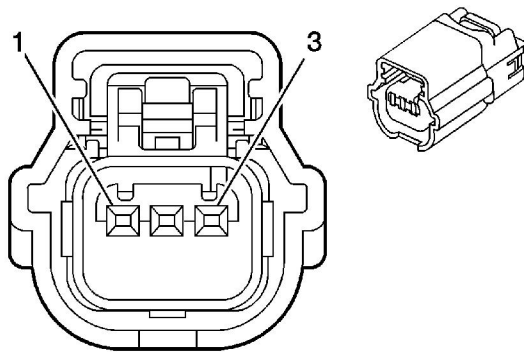
Terminal Part Information

- | Terminal/Tray: SAITS-A03T-M064/14
- | Core/Insulation Crimp: P/P
- | Release Tool/Test Probe: J-38125-215/J-35616-64B (L-BU)

Object Sensor - Right Rear Corner (UD7)

Pin	Wire Color	Circuit No.	Function
1	D-BU	2374	Object Sensor Supply Voltage
2	GY	2379	Object Sensor Low Reference
3	PU	2378	Right Rear Corner Object Sensor Signal

Object Sensor - Right Rear Middle (UD7)



Connector Part Information

- | OEM: 13521095
- | Service: 88988337
- | Description: 3-Way F Sealed Series (GN)

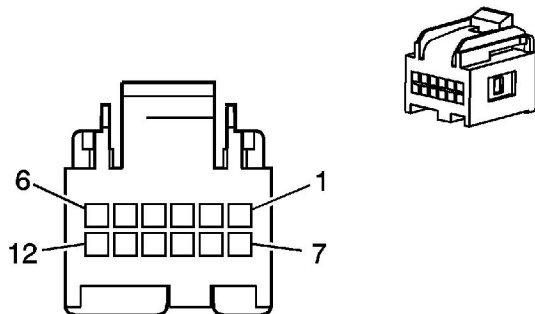
Terminal Part Information

- | Terminal/Tray: SAITS-A03T-M064/14
- | Core/Insulation Crimp: P/P
- | Release Tool/Test Probe: J-38125-215/J-35616-64B (L-BU)

Object Sensor - Right Rear Middle (UD7)

Pin	Wire Color	Circuit No.	Function
1	D-BU	2374	Object Sensor Supply Voltage
2	GY	2379	Object Sensor Low Reference
3	D-GN	2377	Right Rear Middle Object Sensor Signal

Object Alarm Module C1 (UD7)





Connector Part Information

- | OEM: 13551678
- | Service: 89047364
- | Description: 12-Way F Receptacle 0.64 Series (BK)

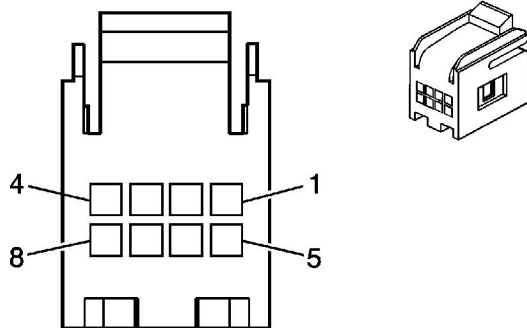
Terminal Part Information

- | Terminal/Tray: SAITS-A03T-M064/14
- | Core/Insulation Crimp: P/P
- | Release Tool/Test Probe: J-38125-215/J-35616-64B (L-BU)

Object Alarm Module C1 (UD7)

Pin	Wire Color	Circuit No.	Function
1	RD/WH	840	Battery Positive Voltage
2	WH	2370	Telltale Assembly Supply Voltage
3	BN	5852	Rear Park Assist LED Disable Signal
4	OG	2371	Left Amber Indicator Control
5	--	--	Not Used
6	D-GN	5060	Low Speed GMLAN Serial Data
7	BK/WH	2751	Low Reference
8	GY	2555	Rear Park Assist Disable Signal
9	D-BU	2372	Center Amber Indicator Control
10	GY	2373	Red Indicator Control
11-12	--	--	Not Used

Object Alarm Module C2 (UD7)



Connector Part Information

- | OEM: 13551679

- | Service: 19115653
- | Description: 8-Way F Kaizen 0.64 Series (GY)

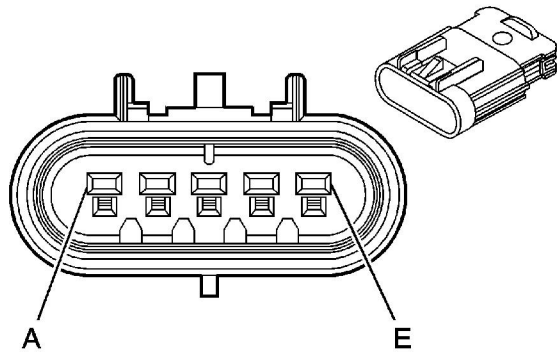
Terminal Part Information

- | Terminal/Tray: SAITS-A03T-M064/14
- | Core/Insulation Crimp: P/P
- | Release Tool/Test Probe: J-38125-215/J-35616-64B (L-BU)

Object Alarm Module C2 (UD7)

Pin	Wire Color	Circuit No.	Function
1	PU	2378	Right Rear Corner Object Sensor Signal
2	D-GN	2377	Right Rear Middle Object Sensor Signal
3	OG	2376	Left Rear Middle Object Sensor Signal
4	D-BU	2374	Object Sensor Supply Voltage
5	YE	2375	Left Rear Corner Object Sensor Signal
6-7	--	--	Not Used
8	GY	2379	Object Sensor Low Reference

Rearview Camera (UVC)



Connector Part Information

- | OEM: 15326827
- | Service: 89046648
- | Description: 5-Way M GT 150 Sealed (BK)

Terminal Part Information

- | Pins: A-C
- | Terminal/Tray: 15326269/19
- | Core/Insulation Crimp: E/4
- | Release Tool/Test Probe: 15315247/J-35616-3 (GY)

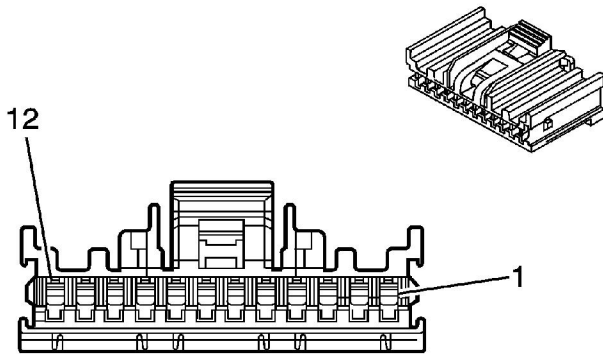
- | Pins: D
- | Terminal/Tray: 15326269/19

- | Core/Insulation Crimp: E/1
- | Release Tool/Test Probe: 15315247/J-35616-3 (GY)

Rearview Camera (UVC)

Pin	Wire Color	Circuit No.	Function
A	OG	6201	Camera Supply Voltage
B	TN/BK	6202	Camera Ground
C	WH	6798	Camera Video Signal
D	GY	7069	Camera Shield Extension
E	--	--	Not Used

Rear View Camera Image Display Module (UVC)



Connector Part Information

- | OEM: 15499371
- | Service: 19115105
- | Description: 12-Way F KAIZEN 0.64 (BK)

Terminal Part Information

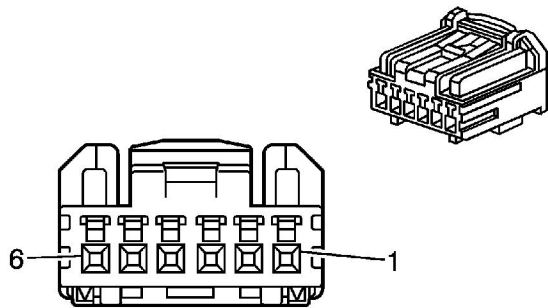
- | Terminal/Tray: SAITS-A03T-M064/14
- | Core/Insulation Crimp: P/P
- | Release Tool/Test Probe: J-38125-215/J-35616-64B (L-BU)

Rear View Camera Image Display Module (UVC)

Pin	Wire Color	Circuit No.	Function
1	D-BU	38	Backup Lamp Supply Voltage
2	PK	239	Ignition 1 Voltage
3	BK/WH	2751	Ground
4	OG	6201	6-Volt Reference
5	TN/BK	6202	Camera Ground
6	--	--	Not Used

7	Bare	6974	Camera Drain Wire
8	--	--	Not Used
9	WH	6798	Camera Video Signal
10	Bare	6799	Camera Shield
11	L-BU	6973	Camera Signal -
12	PK	6972	Camera Signal +

Traction Control/Rear Object Detection Switch (Z75)



Connector Part Information

- | OEM: 15488869
- | Service: 19115655
- | Description: 6-Way F HCM Series (BK)

Terminal Part Information

- | Terminal/Tray: SHCM-A03T-P025/20
- | Core/Insulation Crimp: J/J
- | Release Tool/Test Probe: 12094429/J-35616-64B (L-BU)

Traction Control/Rear Object Detection Switch (Z75)

Pin	Wire Color	Circuit No.	Function
1	L-BU	1788	Traction Control Switch Signal
2	GY	2555	Rear Park Assist Disable Signal
3	BN	5852	Rear Park Assist LED Disable Signal
4	PU/WH	6816	Indicator Dimming Control
5	BK	1850	Ground
6	YE	6817	LED Backlight Dimming Control