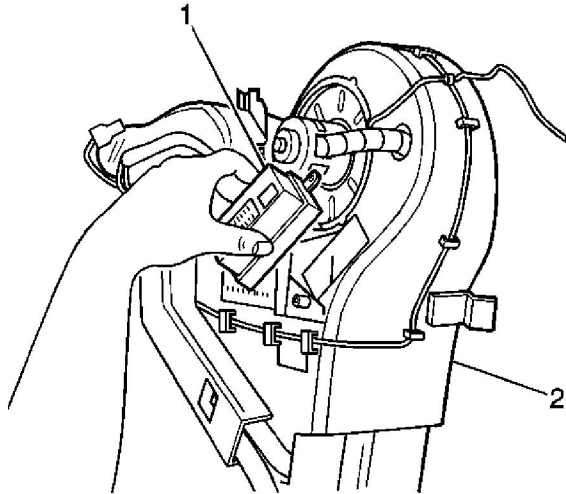


Auxiliary Blower Motor Resistor Replacement

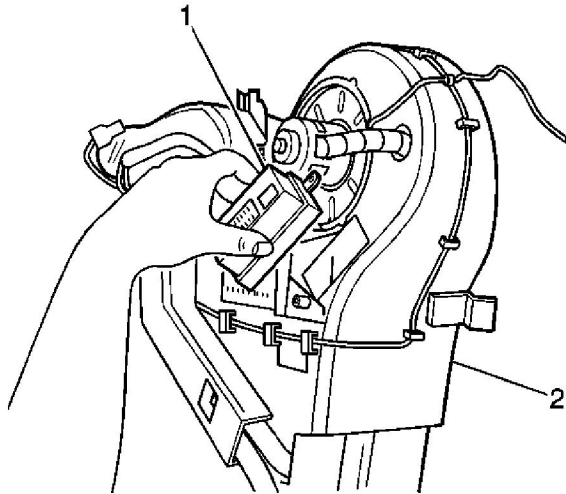
Removal Procedure

1. Remove the right rear quarter trim panel. Refer to [Rear Quarter Trim Panel Replacement](#) in Interior Trim.
2. Disconnect the electrical connector from the blower motor resistor.
3. Remove the retaining screws from the blower motor resistor.



4. Remove the blower motor resistor (1) from the vehicle.

Installation Procedure



1. Install the blower motor resistor (1) to the vehicle.
2. Install the retaining screws to the blower motor resistor.
3. Connect the electrical connector to the blower motor resistor.
4. Install the right rear quarter trim panel. Refer to [Rear Quarter Trim Panel Replacement](#) in Interior Trim.