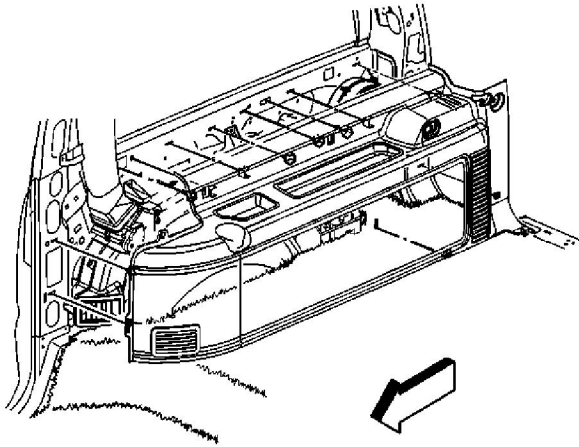


Rear Quarter Trim Panel Replacement (Suburban Right)

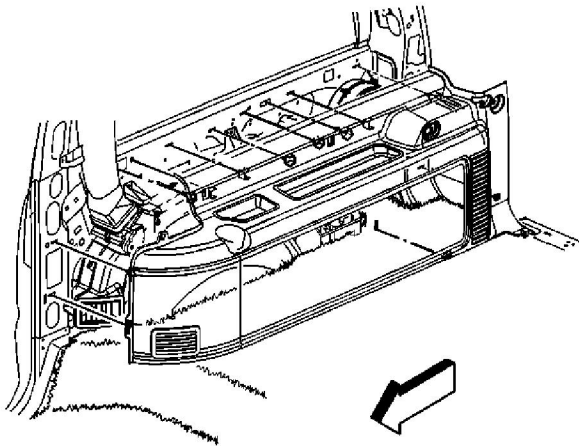
Removal Procedure

1. Remove the rear seat. Refer to [Rear Seat Replacement](#) in Seats.
2. Remove the garnish molding. Refer to [Body Rear Corner Garnish Molding Replacement](#) .
3. Remove the trim panel. Refer to [Third Pillar Trim Replacement](#) .
4. Remove the door sill plate. Refer to [Front Side Door Sill Plate Replacement](#) or to [Rear Side Door Sill Plate Replacement](#) .



5. Remove the quarter panel trim screws.
6. Remove the quarter panel trim from the vehicle.

Installation Procedure



1. Install the quarter panel trim to the vehicle.

Notice: Use the correct fastener in the correct location. Replacement fasteners must be the correct part number for that application. Fasteners requiring replacement or fasteners requiring the use of thread locking compound or sealant are identified in the service procedure. Do not use paints, lubricants, or corrosion inhibitors on fasteners or fastener joint surfaces unless specified. These coatings affect fastener torque and joint clamping force and may damage the fastener. Use the correct tightening sequence and specifications when installing fasteners in order to avoid damage to parts and systems.

2. Install the quarter panel trim screws.

Tighten

Tighten the quarter panel trim screws to 2 N·m (18 lb in).

3. Install the door sill plate. Refer to [Front Side Door Sill Plate Replacement](#) or [Rear Side Door Sill Plate Replacement](#) .
4. Install the trim panel. Refer to [Third Pillar Trim Replacement](#) .
5. Install the garnish molding. Refer to [Body Rear Corner Garnish Molding Replacement](#) .
6. Install the rear seat. Refer to [Rear Seat Replacement](#) .