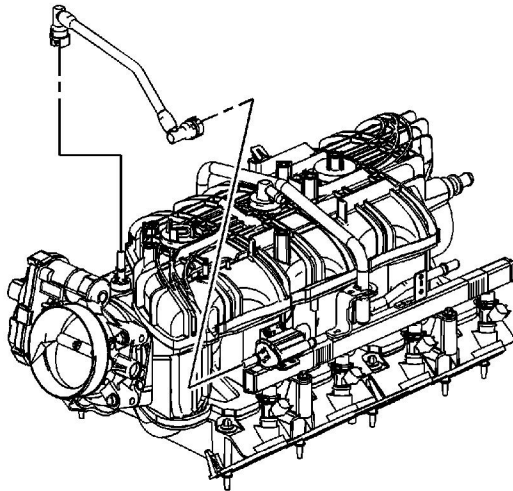


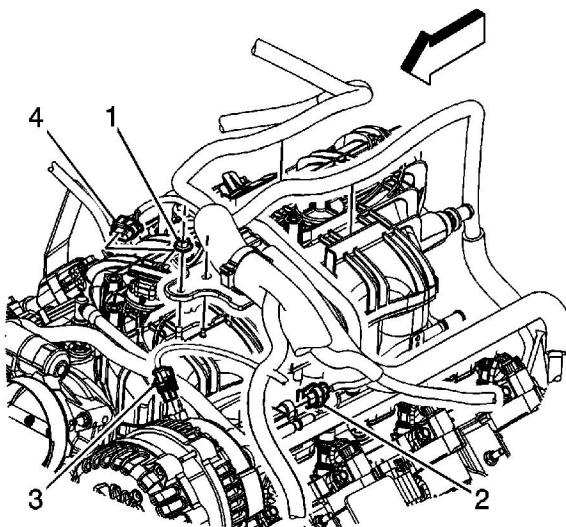
# Evaporative Emission Canister Purge Solenoid Valve Replacement

## Removal Procedure

**Important:** Clean all evaporative emission (EVAP) line connections and surrounding areas prior to disconnecting, in order to avoid possible EVAP system contamination.

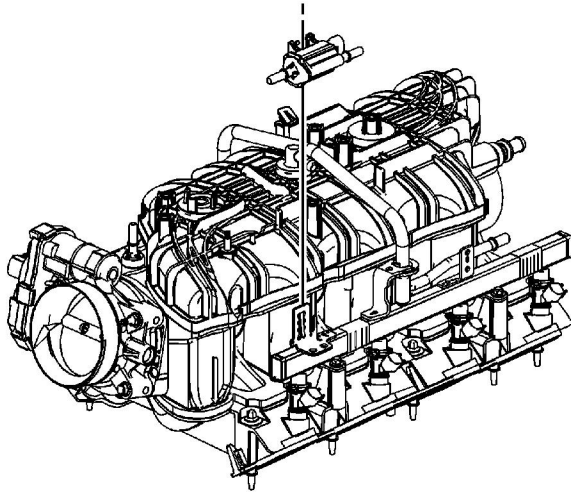


1. Remove the air cleaner outlet duct. Refer to [Air Cleaner Resonator Outlet Duct Replacement](#) .
2. Disconnect the EVAP line quick connect fitting from the EVAP canister purge solenoid. Refer to [Plastic Collar Quick Connect Fitting Service](#) .



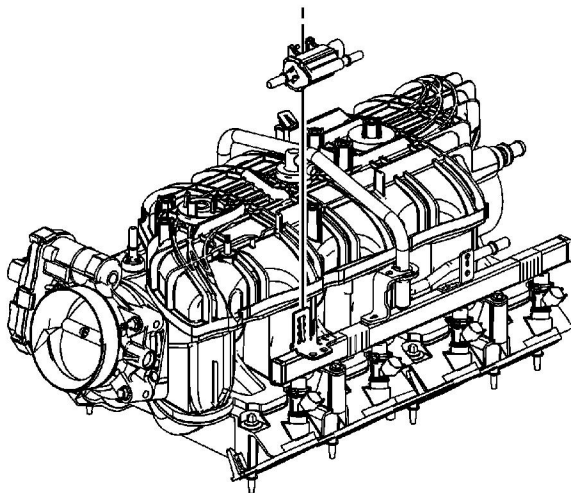


3. Disconnect the engine wiring harness electrical connector (2) from the EVAP canister purge solenoid.
4. Disconnect the chassis EVAP line quick connect fitting from the EVAP canister purge solenoid. Refer to [Plastic Collar Quick Connect Fitting Service](#) .

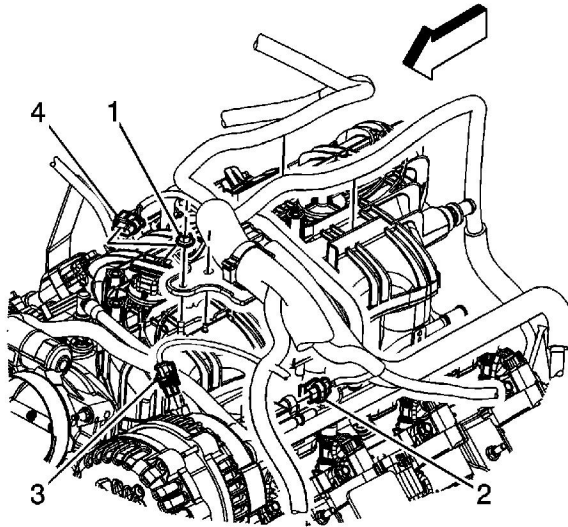


5. Disengage the retainer securing the EVAP canister purge solenoid to the fuel rail.
6. Remove the EVAP canister purge solenoid.

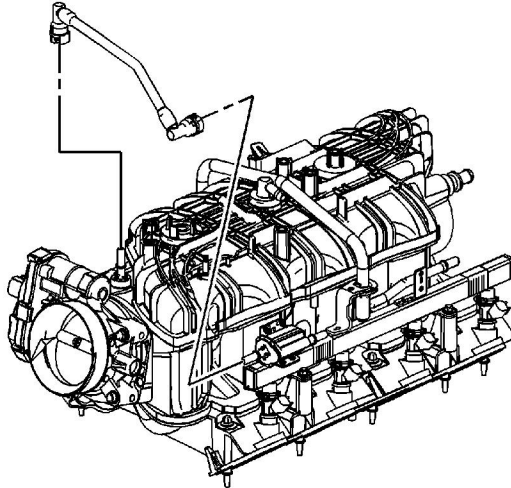
## Installation Procedure



1. Install the EVAP canister purge solenoid.
2. Install the EVAP canister purge solenoid to the fuel rail and engage the retainer.



3. Connect the engine wiring harness electrical connector (2) to the EVAP canister purge solenoid.
4. Connect the chassis EVAP line quick connect fitting to the EVAP canister purge solenoid. Refer to [Plastic Collar Quick Connect Fitting Service](#) .



5. Connect the EVAP line quick connect fitting to the EVAP canister purge solenoid. Refer to [Plastic Collar Quick Connect Fitting Service](#) .
6. Install the air cleaner outlet duct. Refer to [Air Cleaner Resonator Outlet Duct Replacement](#) .