

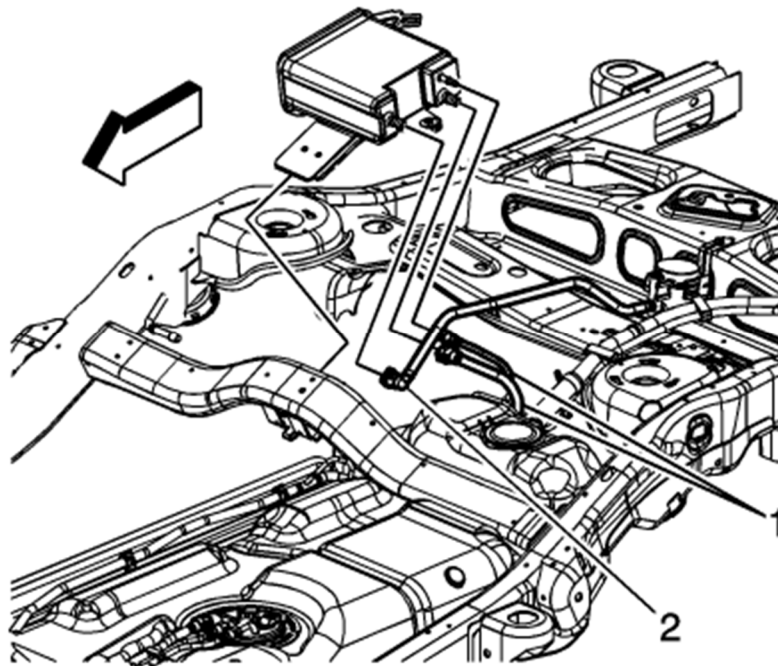
Vehicle: 2007 Chevy Truck Tahoe 2WD V8-5.3L

Evaporative Emission Canister Replacement (1500 Series)

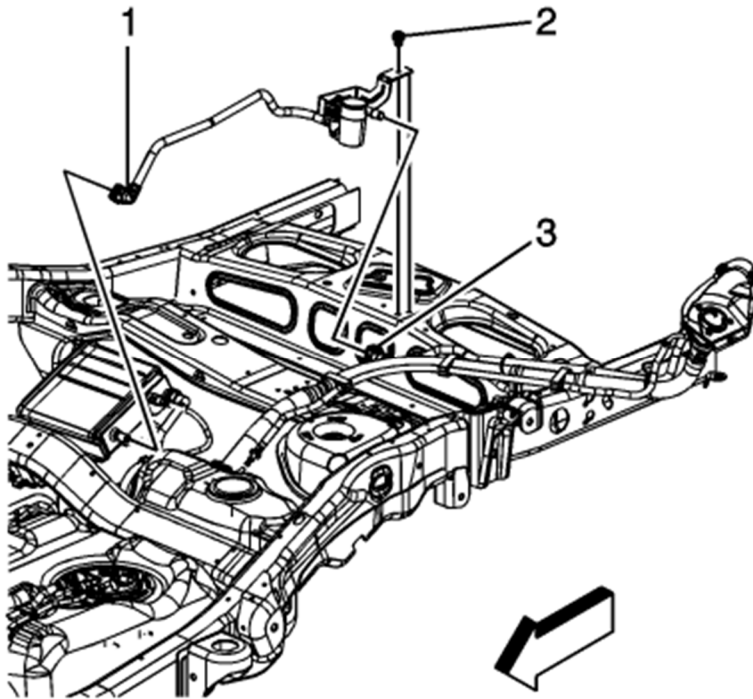
EVAPORATIVE EMISSION CANISTER REPLACEMENT (1500 SERIES)

REMOVAL PROCEDURE

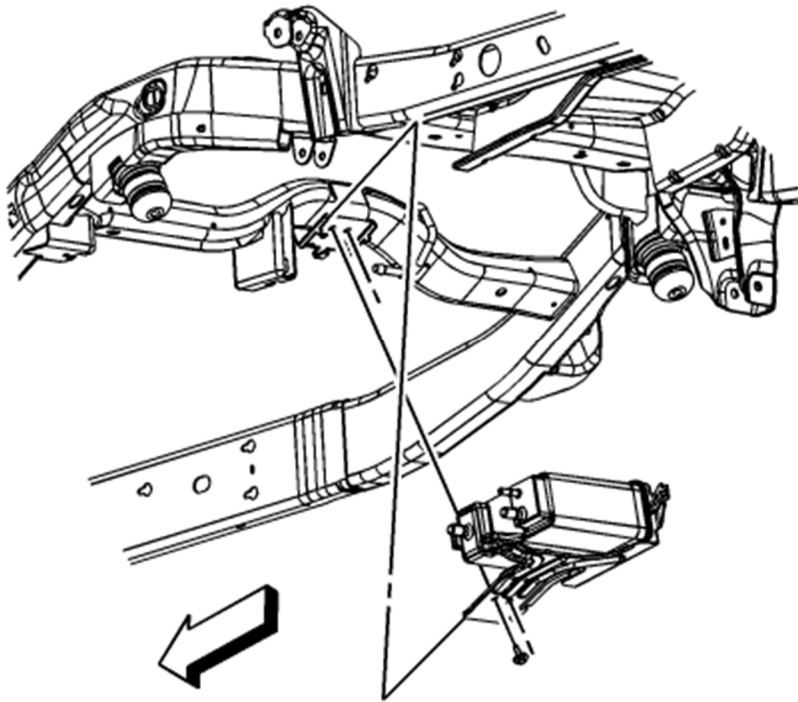
IMPORTANT: Clean all evaporative emission (EVAP) line connections and surrounding areas prior to disconnecting, in order to avoid possible EVAP system contamination.



1. Raise and support the vehicle. Refer to Vehicle Lifting.
2. Remove the EVAP canister bracket bolts and lower the EVAP canister.
3. Disconnect the [fuel tank](#) EVAP line quick connect fittings (1) from the EVAP canister.

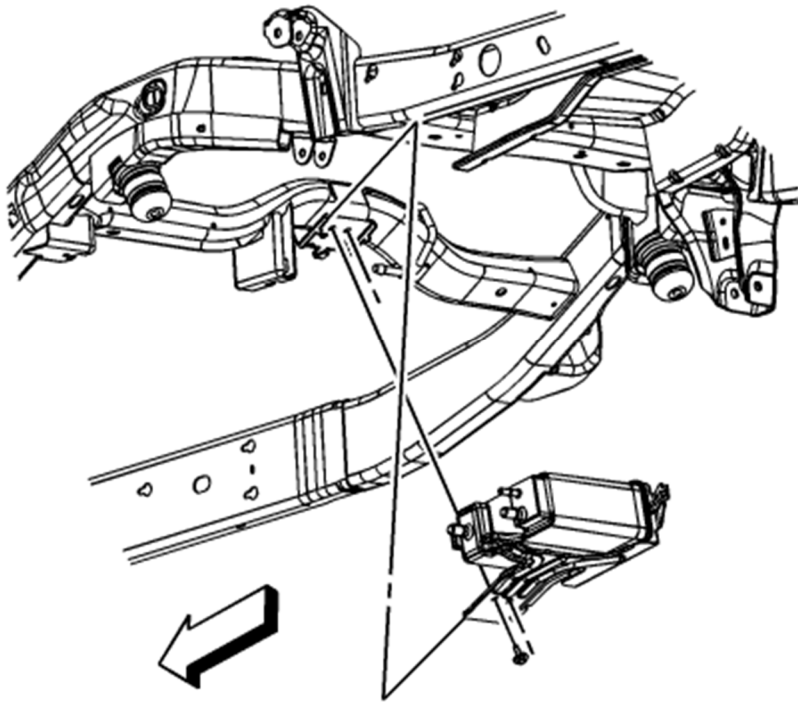


4. Disconnect the EVAP canister vent solenoid quick connecting fitting (1) from the EVAP canister.



5. Remove the EVAP canister.
6. If necessary, remove the EVAP canister to bracket bolt.
7. If necessary, remove the EVAP canister from the bracket.

INSTALLATION PROCEDURE

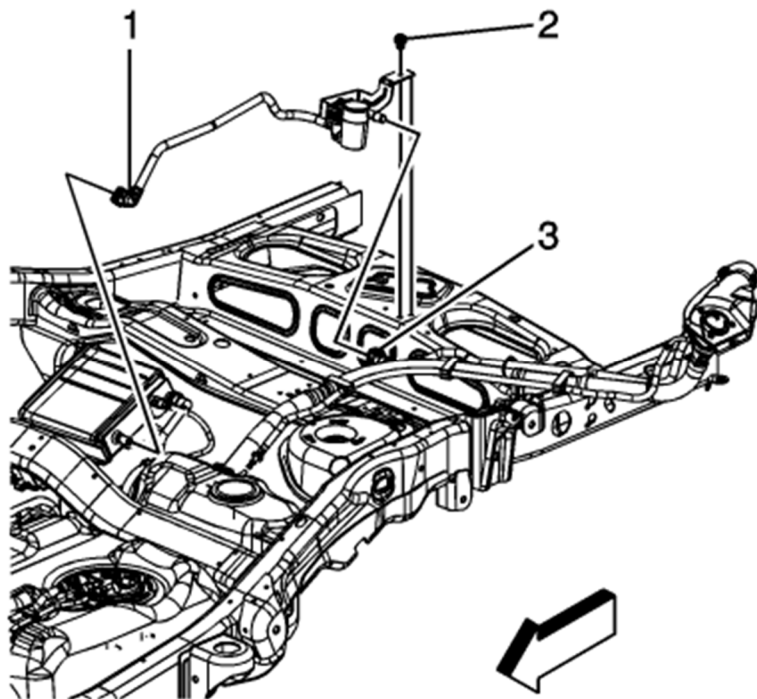


1. If necessary, install the EVAP canister to the bracket.
2. **NOTE:** Refer to Fastener Notice.

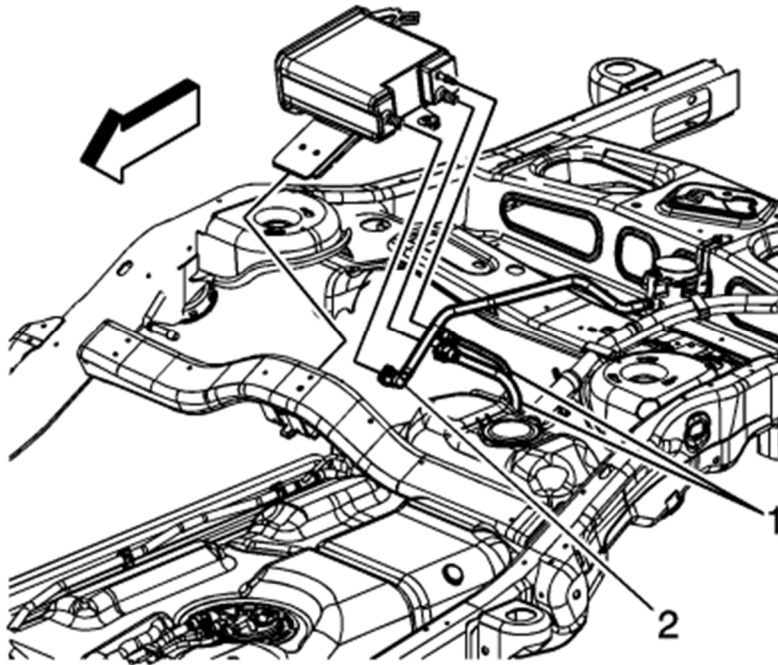
If necessary, install the EVAP canister to bracket bolt.

Tighten the bolt to **25 N.m (18 lb ft)** .

3. Position the EVAP canister.



4. Connect the EVAP canister vent solenoid quick connecting fitting (1) to the EVAP canister.



5. Connect the [fuel tank](#) EVAP line quick connect fittings (1) to the EVAP canister.
6. Install the EVAP canister bracket bolts.

Tighten the bolts to **25 N.m (18 lb ft)** .

7. Lower the vehicle.