

# Driver or Passenger Seat Side Inflatable Restraint Module Replacement

## Removal Procedure

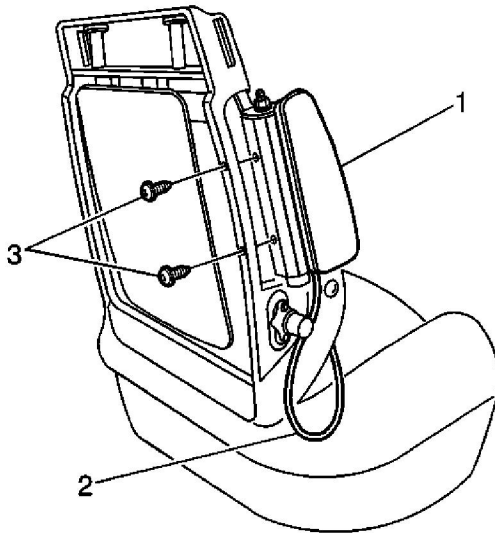
**Caution:** Refer to [SIR Inflator Module Handling and Storage Caution](#) in the Preface section.

**Caution:** Following the deployment of a side impact air bag, inspect the following parts for damage. Replace these parts if necessary:

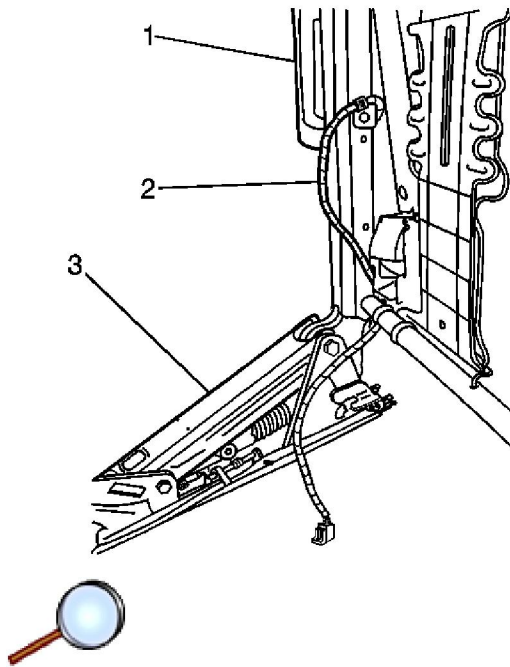
- The seat cushion frame
- The seat recliner, if equipped
- The seat adjuster
- The seat back frame

Failure to do so may cause future personal injury.

1. Disable the SIR system. Refer to [SIR Disabling and Enabling](#) and to [SIR Disabling and Enabling](#).



2. Remove the front seat. Refer to [Front Seat Replacement - Bucket](#) in Seats.
3. Remove the seat back cover. Refer to [Front Seat Back Cushion Cover and Cushion Pad Replacement](#) in Seats.
4. Remove the retaining bolts (3) that attach the inflatable restraint side impact module (1) to the seat frame.
5. Remove the side impact module retainer.

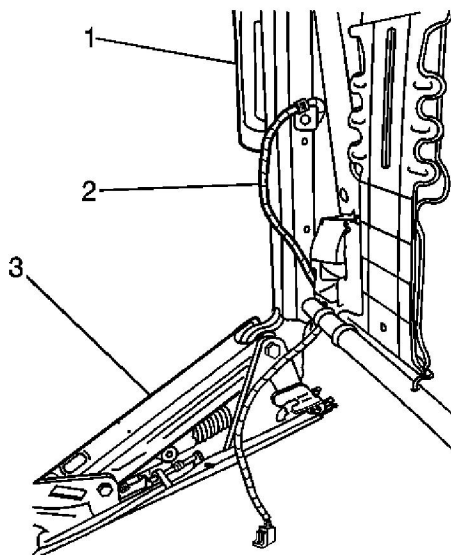


6. Remove the wiring harness retaining clips from the seat frame (3).

**Important:** Note the routing of the inflatable restraint side impact module wiring harness and the retaining clips within the seat frame. You must route the wiring harness (2) in the exact same way as the factory to eliminate the possibility of any cutting or chafing of the wiring harness.

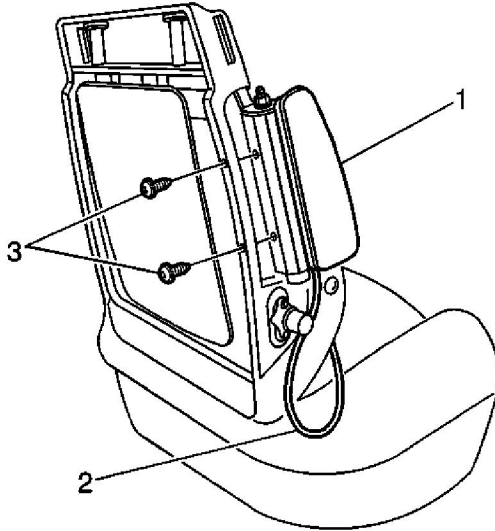
7. Remove the wiring harness (2) from the seat frame (3).
8. Remove the side impact module (1) from the seat frame (3).
9. Fully deploy the module before disposal. If the module was replaced under warranty, fully deploy and dispose of the module after the required retention period. Refer to [Inflator Module Handling and Scrapping](#).

## Installation Procedure





1. Install the module wiring harness (2) to the seat frame (3) while guiding the wiring harness through the appropriate spots on the seat frame.
2. Install the wiring harness retaining clips to the seat frame.



3. Install the side impact module (1) to the seat frame.
4. Install the side impact module retainer.

**Notice:** Refer to [Fastener Notice](#) in the Preface section.

5. Install the retaining bolts (3) to the side impact module.

#### **Tighten**

Tighten the bolts to 10 N·m (89 lb in).

6. Install the seat back cover. Refer to [Front Seat Back Cushion Cover and Cushion Pad Replacement](#) in Seats.
7. Install the front seat. Refer to [Front Seat Replacement - Bucket](#) in Seats.
8. Enable the SIR system. Refer to [SIR Disabling and Enabling](#) and [SIR Disabling and Enabling](#) .