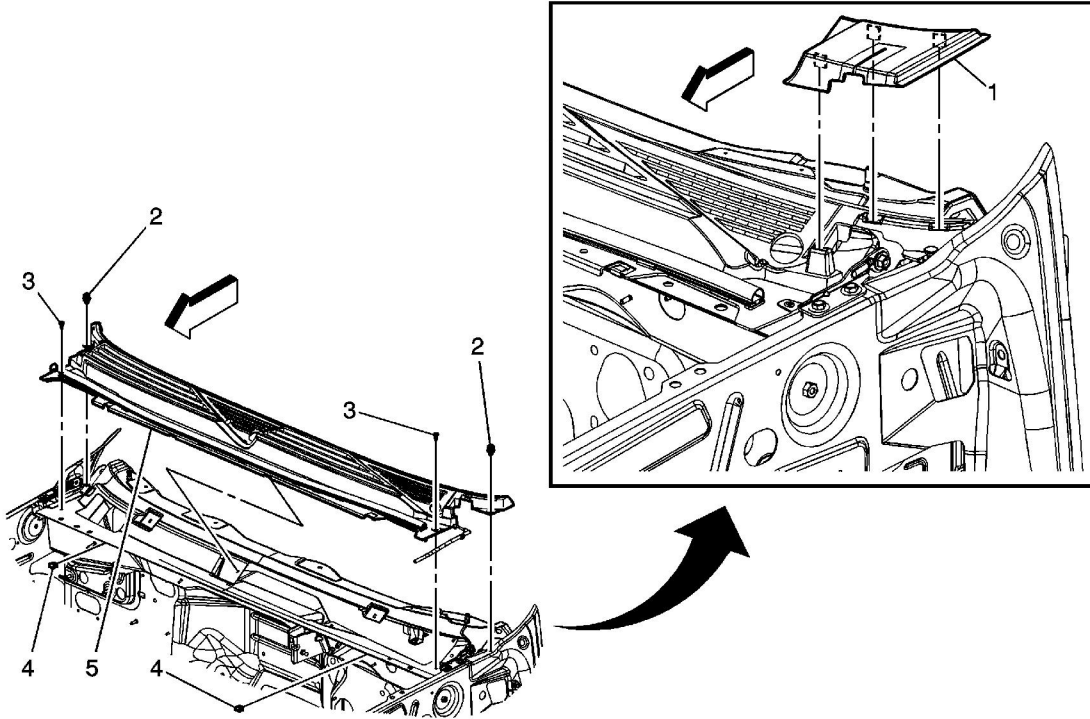


# Air Inlet Grille Panel Replacement



| Callout                                                                                                                                                                                                                                                                                                                   | Component Name                                                                                                                                                  |
|---------------------------------------------------------------------------------------------------------------------------------------------------------------------------------------------------------------------------------------------------------------------------------------------------------------------------|-----------------------------------------------------------------------------------------------------------------------------------------------------------------|
| <b>Preliminary Procedure</b><br>1. Remove the fixed antenna, if equipped. Refer to <a href="#">Radio Antenna Replacement</a> .<br>2. Remove the windshield wiper arms. Refer to <a href="#">Windshield Wiper Arm Replacement</a> .<br>3. Remove the rear hood seal. Refer to <a href="#">Hood Rear Seal Replacement</a> . |                                                                                                                                                                 |
| 1                                                                                                                                                                                                                                                                                                                         | Air Inlet Panel End Panel                                                                                                                                       |
| 2                                                                                                                                                                                                                                                                                                                         | Air Inlet Panel Retainer (Qty: 2)                                                                                                                               |
| 3                                                                                                                                                                                                                                                                                                                         | Air Inlet Panel Screw (Qty: 2)<br><br><b>Notice:</b> Refer to <a href="#">Fastener Notice</a> in the Preface section.<br><br><b>Tighten</b><br>9 N·m (80 lb in) |
| 4                                                                                                                                                                                                                                                                                                                         | Air Inlet Panel Clip                                                                                                                                            |
| 5                                                                                                                                                                                                                                                                                                                         | Air Inlet Panel                                                                                                                                                 |