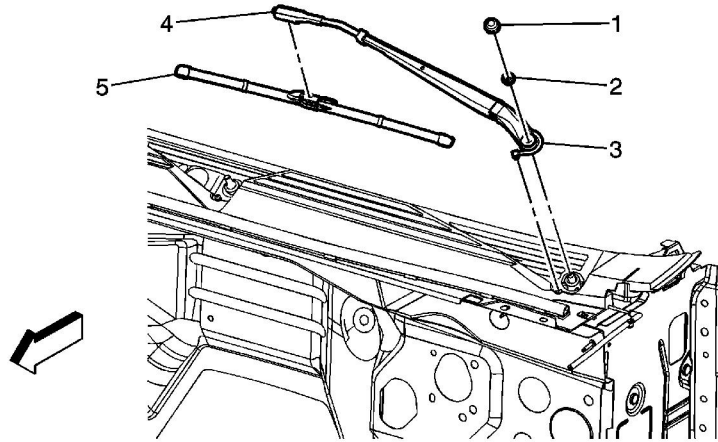


## Windshield Wiper Arm Replacement (Flat Blade)



Callout	Component Name
<b>Preliminary Procedure</b> Open the hood in order to access and remove the wiper arm assembly.	
1	Windshield Washer Arm Finish Cap <b>Tip</b> Use a small flat-bladed tool to remove the finish cap.
2	Windshield Washer Arm Nut <b>Notice:</b> Refer to <a href="#">Fastener Notice</a> in the Preface section. <b>Tip</b> Hold the wiper blade arm tip to the vertical black bar target mark located at the lower center portion of the windshield wile securing the nut. <b>Tighten</b> 35 N·m (26 lb ft)
3	Windshield Washer Arm Hose <b>Tip</b> Rotate the hose clockwise around the end of the washer wiper arm upon installation.
4	Windshield Washer Arm Assembly <b>Tip</b> Use the <a href="#">J 39637</a> Wiper Arm Remover Tool.
	Windshield Washer Blade Assembly

5

**Tip**

Pinch the 2 outer tabs on the arm, rotate the blade rearward and slide the blade forward to release the wiper blade from the wiper arm assembly.