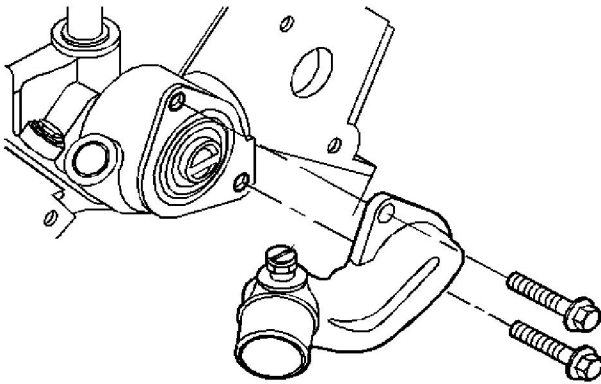


Engine Coolant Thermostat Replacement

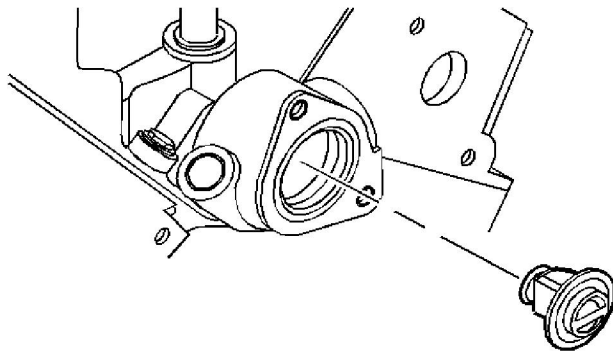
Tools Required

[J 38185](#) Hose Clamp Pliers

Removal Procedure



1. Remove the thermostat housing. Refer to [Engine Coolant Thermostat Housing Replacement](#) .



2. Remove the thermostat.

© 2011 General Motors Corporation. All rights reserved.