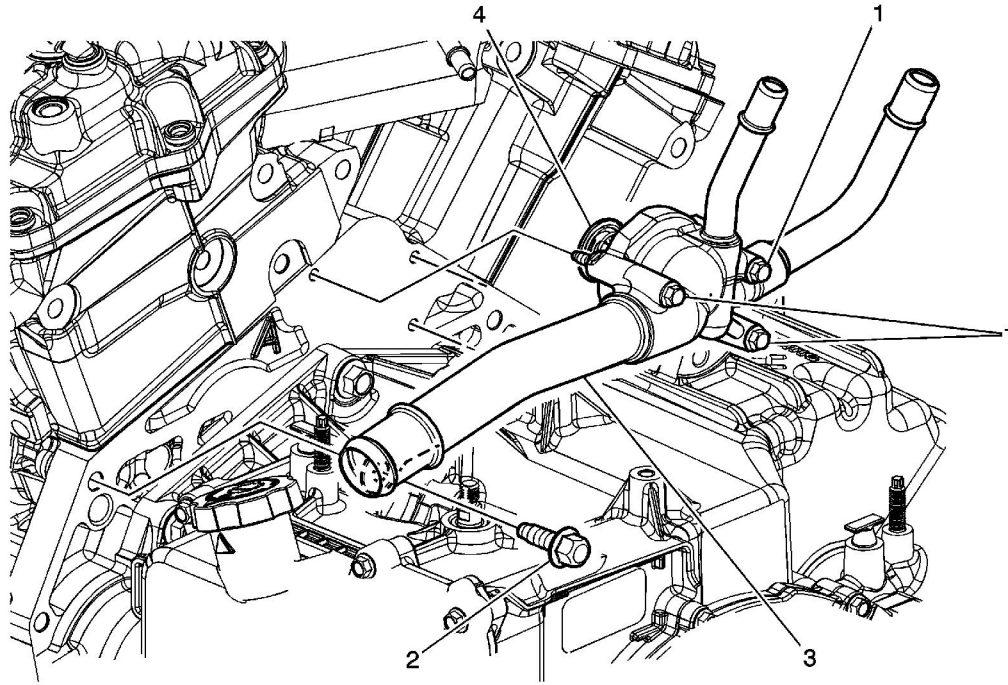


Engine Coolant Thermostat Replacement



Callout	Component Name
<p>Preliminary Procedures</p> <ol style="list-style-type: none"> Partially drain the cooling system. Refer to Cooling System Draining and Filling. Remove the air cleaner outlet duct. Refer to Air Cleaner Outlet Duct Replacement. Remove the heater inlet and outlet hoses. Refer to Heater Inlet Hose Replacement and Heater Outlet Hose Replacement. 	
1	<p>Thermostat Housing Bolt (Qty: 3)</p> <p>Caution: Refer to Fastener Caution in the Preface section.</p> <p>Procedure</p> <p>Remove the thermostat housing bolts.</p> <p>Tighten 10 N·m (89 lb in)</p>
	<p>Thermostat Housing Bolt</p> <p>Procedure</p>

© 2014 General Motors Corporation. All rights reserved.

2	Remove the thermostat housing bolt. Tighten 50 N·m (37 lb ft)
3	Thermostat Housing
4	Thermostat Procedure <ol style="list-style-type: none">1. Remove the thermostat and discard the thermostat gasket.2. Install a new thermostat gasket.